

A L U

ANGEL

Autopole Shelves and Clip Clamps

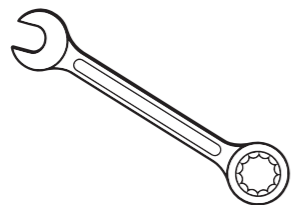
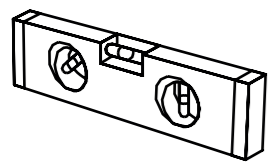
ASSEMBLY INSTRUCTIONS

A L U
ASSEMBLY INSTRUCTIONS

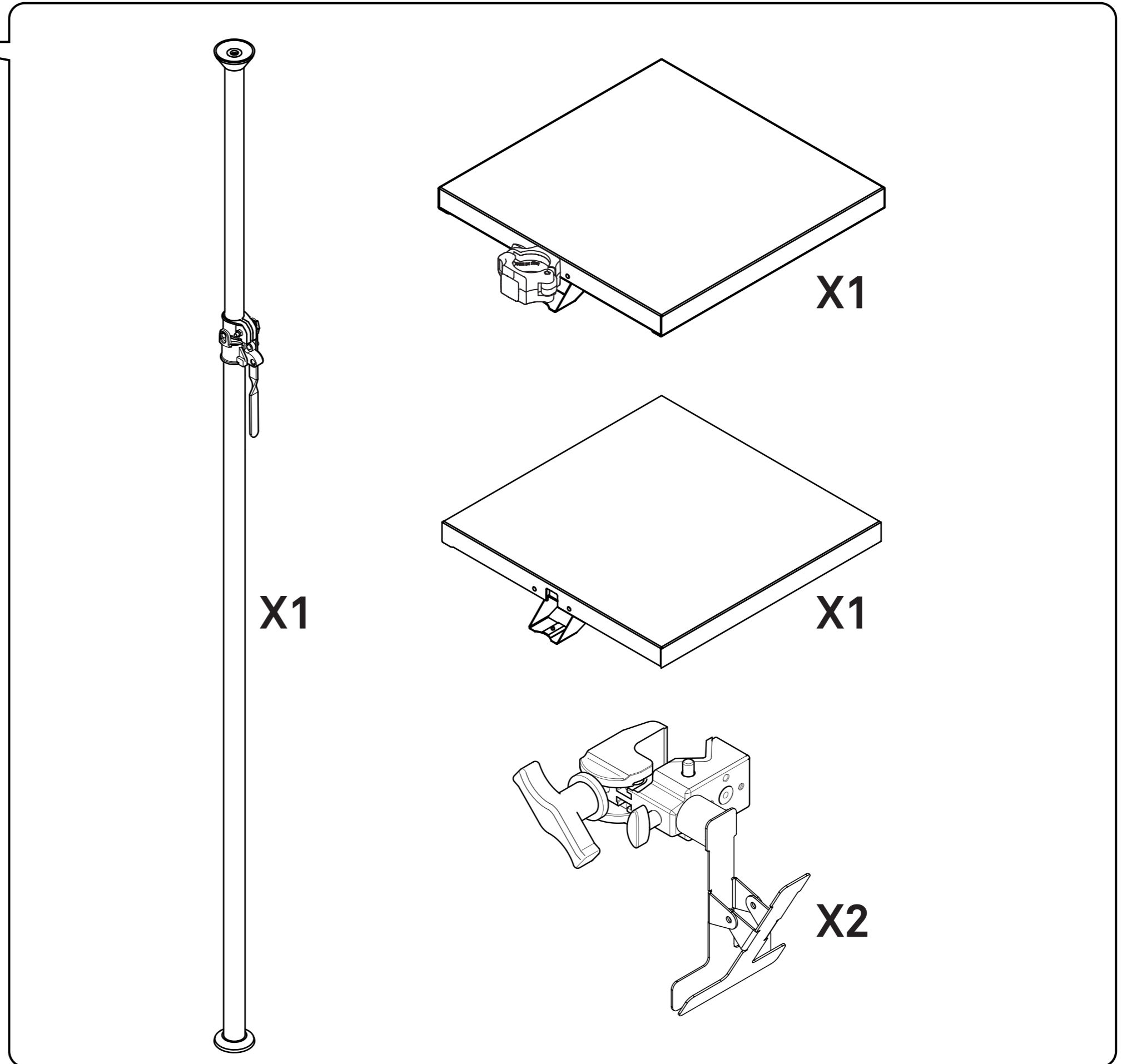
KIT COMPONENTS

KEC08900029

**NECESSARY FOR THE
INSTALLATION**



(INCLUDED)



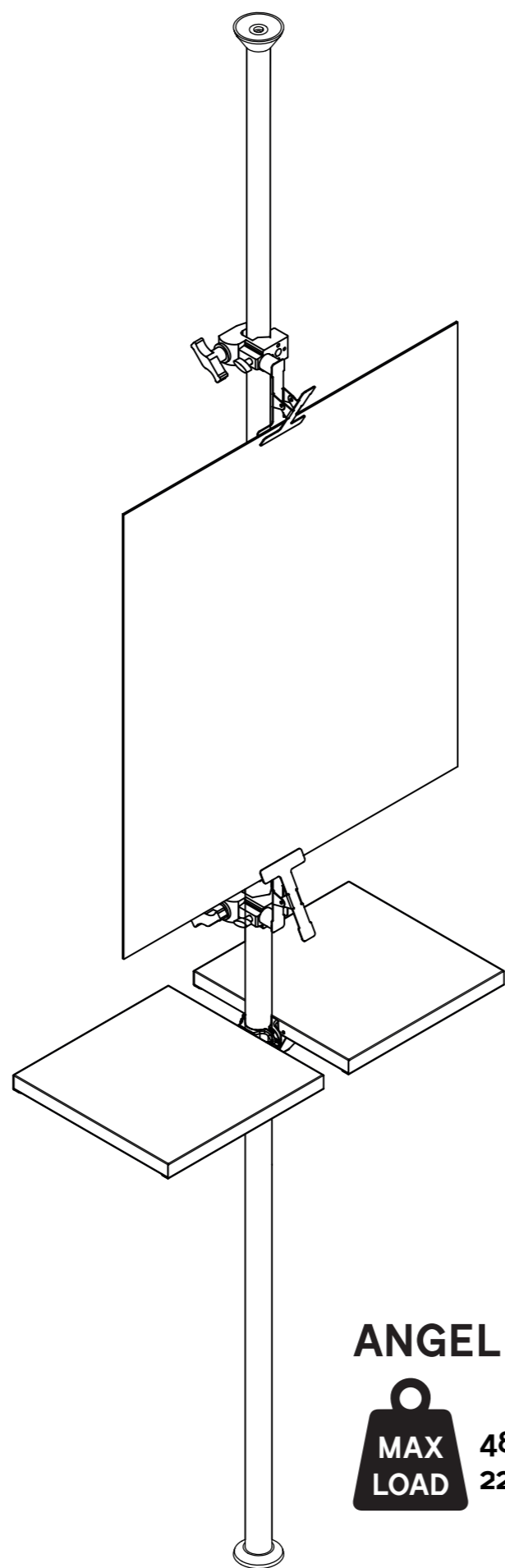
A L U

ASSEMBLY INSTRUCTIONS

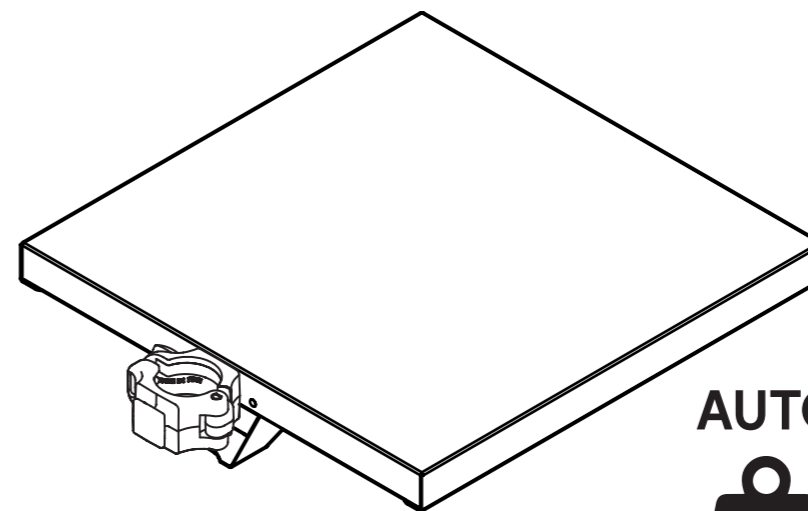
KIT ASSEMBLY TIME



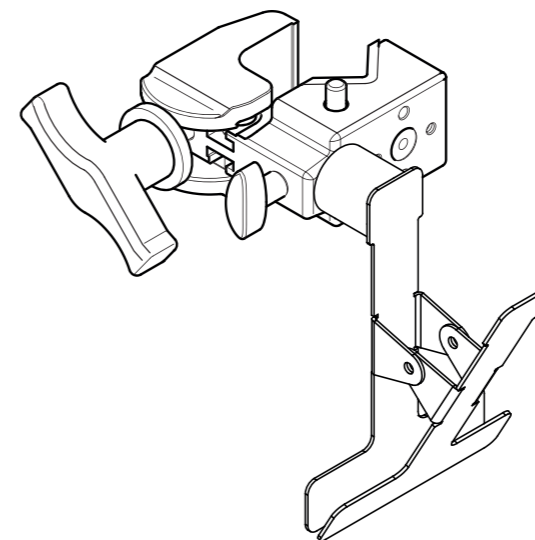
20/25 min



ANGEL



AUTOPOLE SHELF 15"



CLIP CLAMP



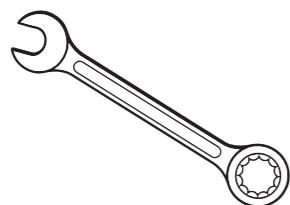
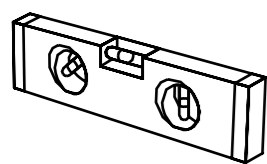
A L U

ASSEMBLY INSTRUCTIONS

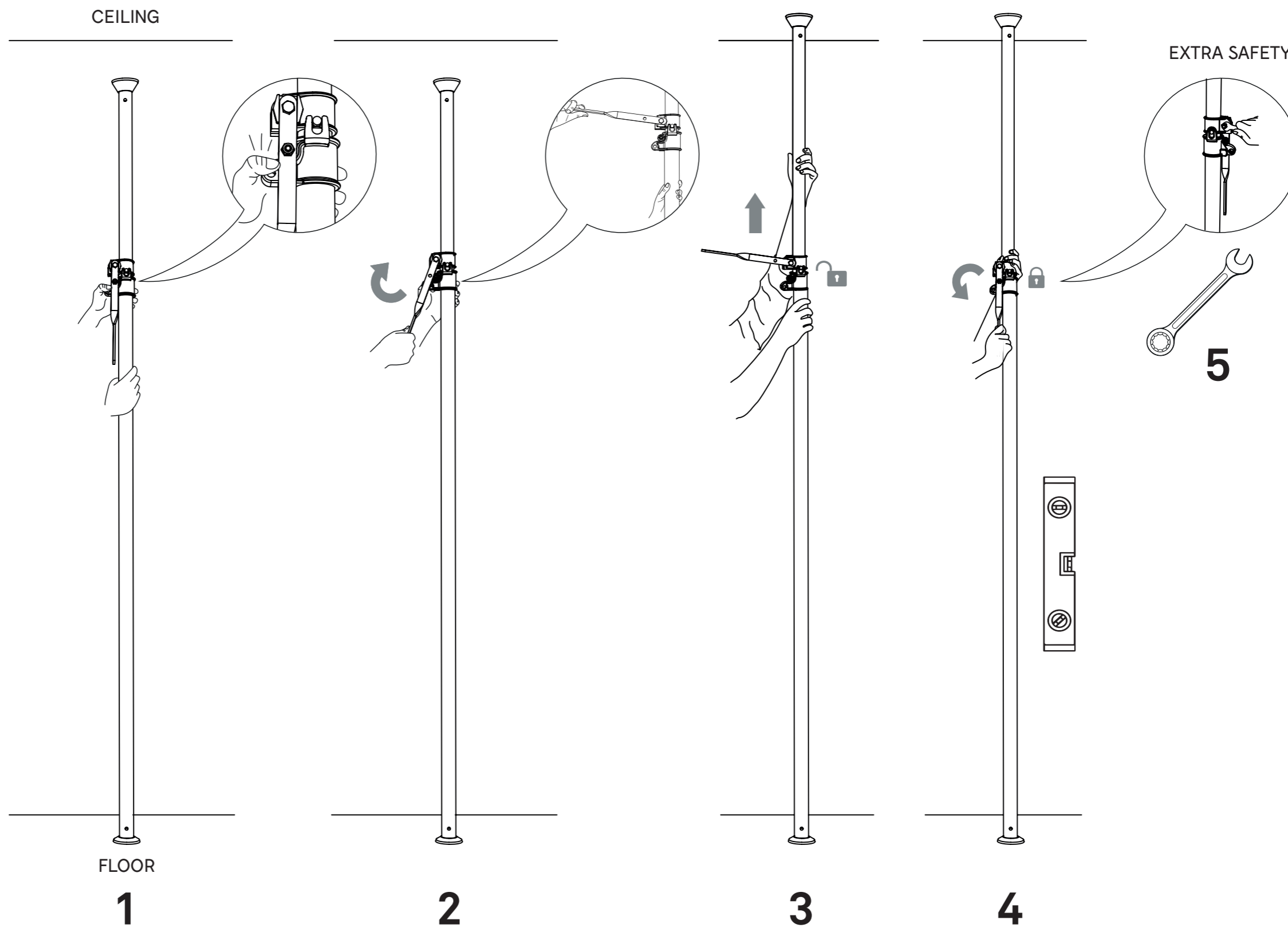
AUTOPOLE

MAX LOAD 110 lbs
50 KG

NECESSARY FOR THE INSTALLATION



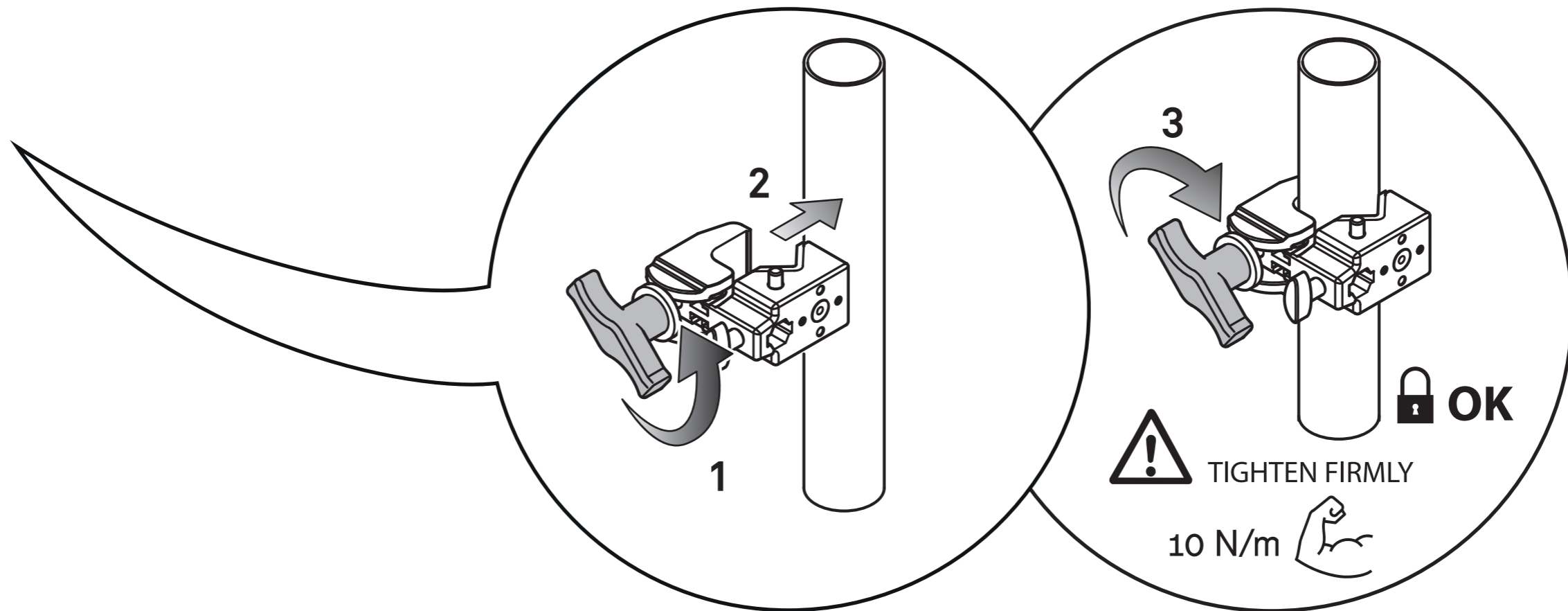
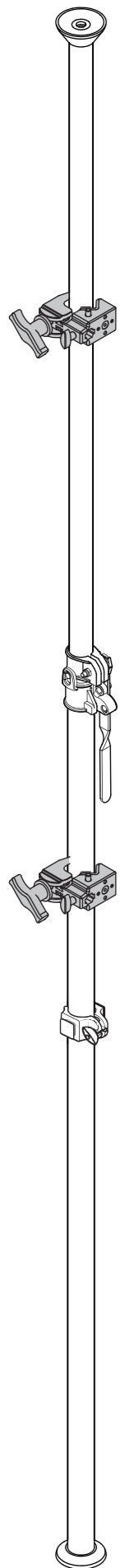
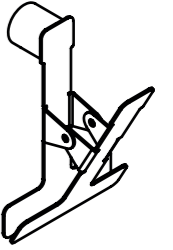
(INCLUDED)



A L U

ASSEMBLY INSTRUCTIONS

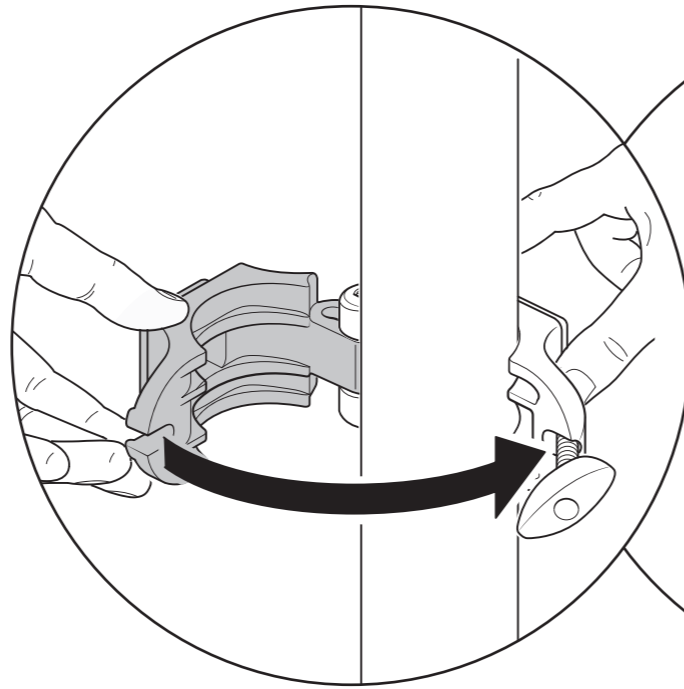
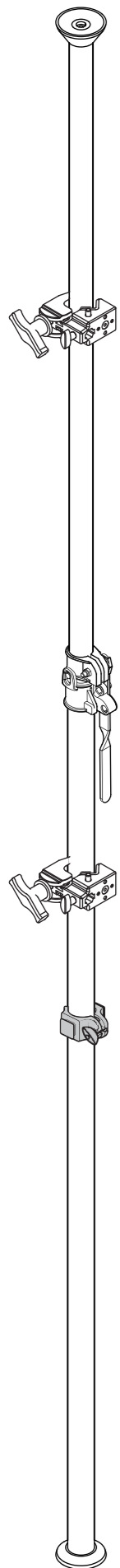
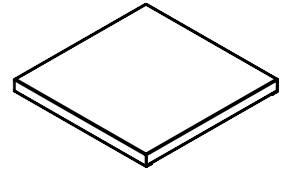
SUPER CLAMP for



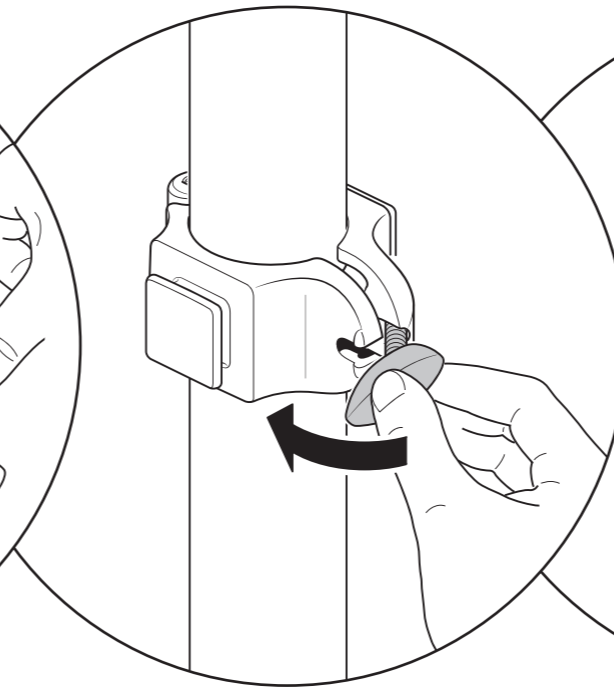
A L U

ASSEMBLY INSTRUCTIONS

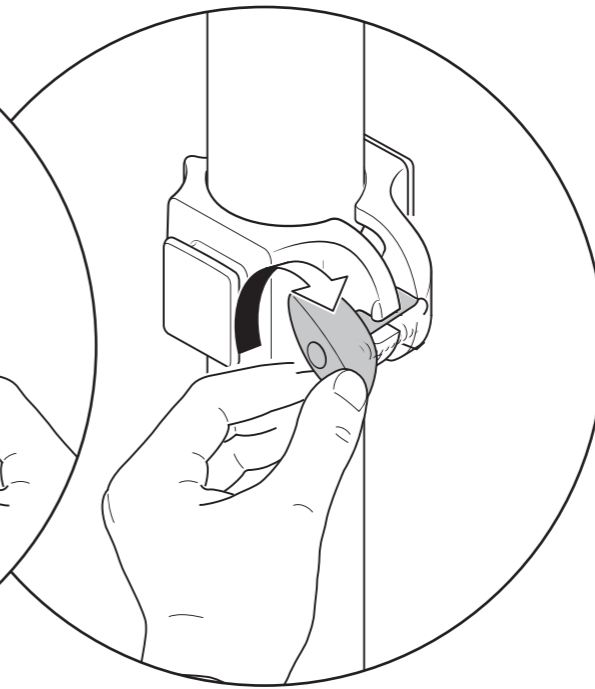
FAST GRIP for



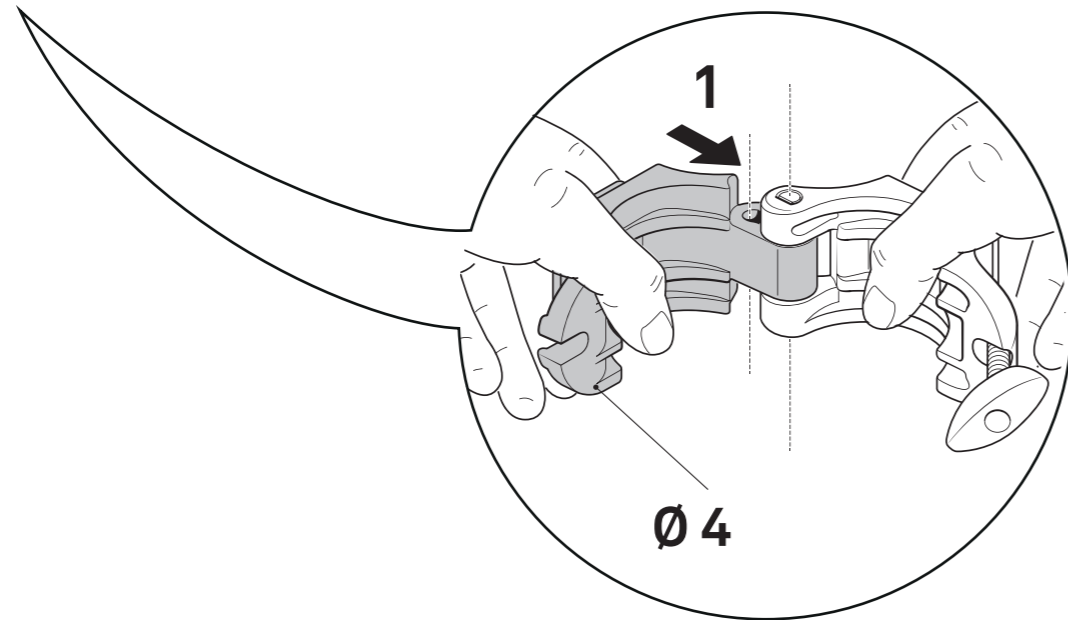
2



3

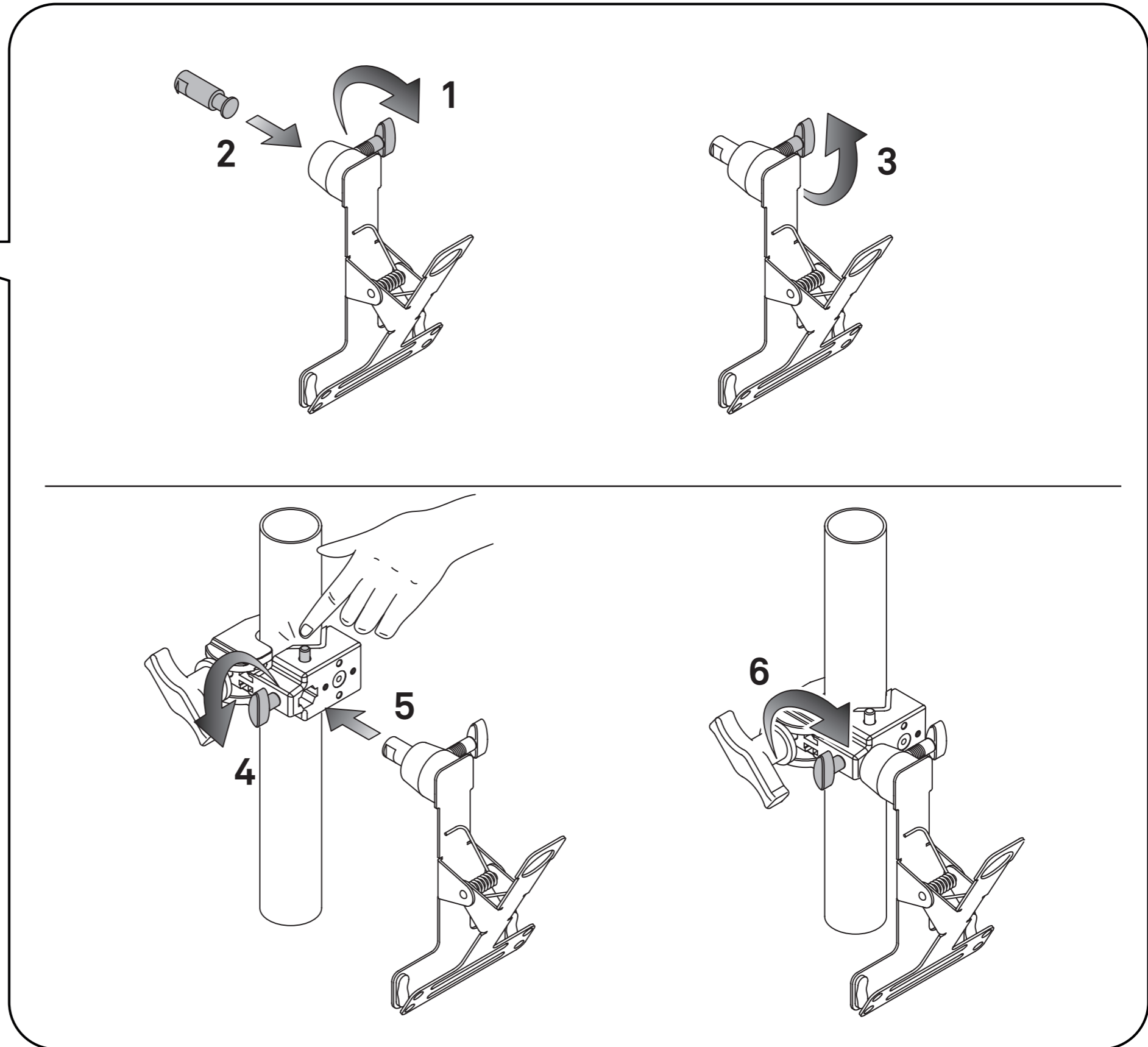
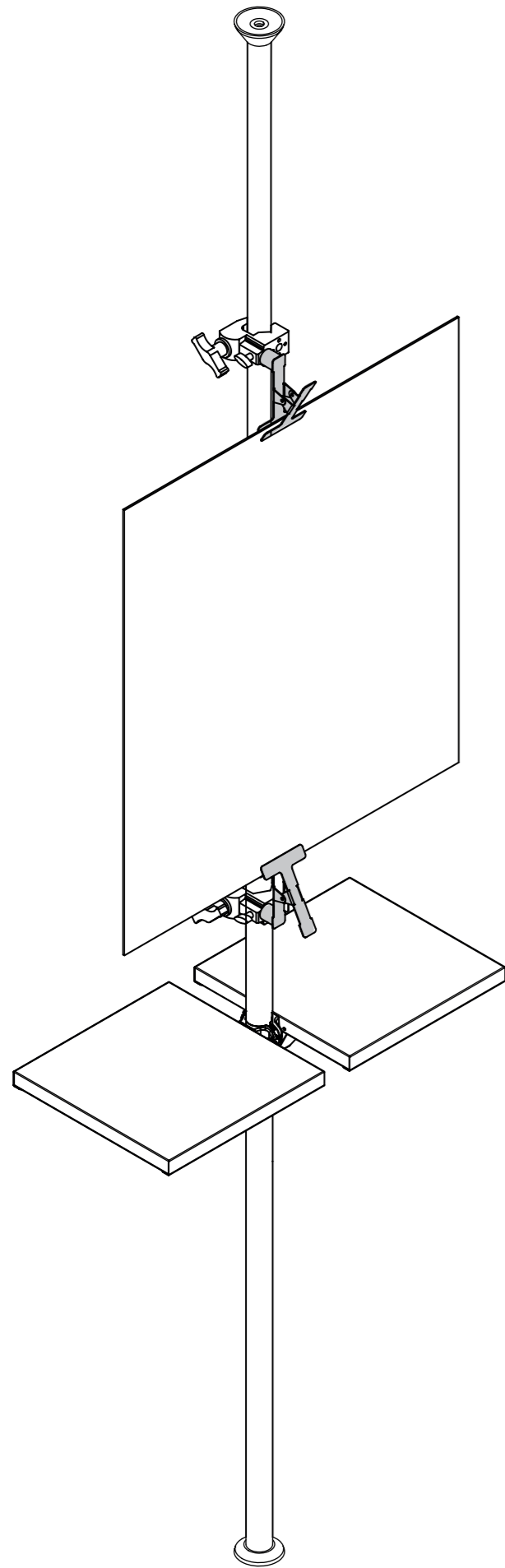


4



Ø4

AUTOPOLE CLIP CLAMPS



AUTOPOLE SHELF 15''

