

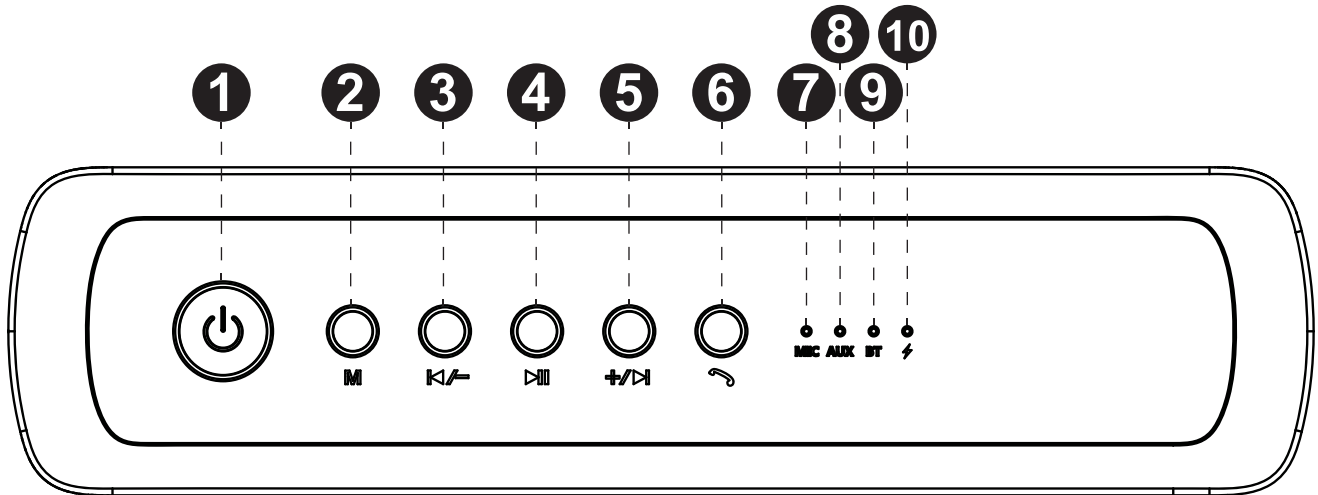
///0917

Stella Wireless Speaker



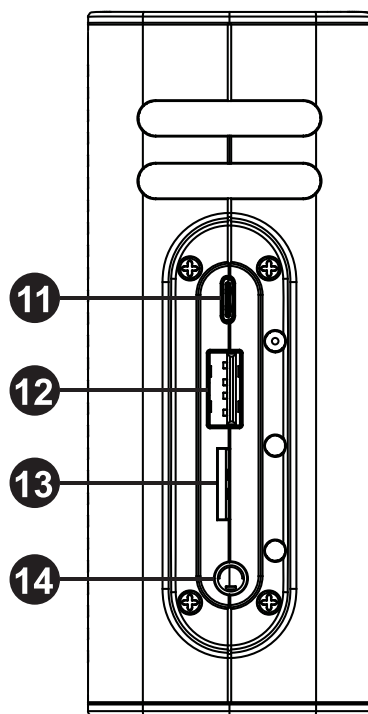
User Guide

Quick Start Guide



- 1** On / Off Button
- 2** Mode Switch Button: Bluetooth / FM Radio / USB / TF Card / Aux
- 3** Press: Previous track/ previous channel in FM mode
Press and hold: Decrease volume
- 4** Play / pause media, automatically search and store channels in FM mode
- 5** Press: Next track / next channel in FM mode
Press and hold: Increase volume
- 6** Hands-free calling in BT mode;
Press: Answer incoming call, or end ongoing call
Press and hold: Reject incoming call
Press twice: Redial the last number called
- 7** Microphone

Quick Start Guide



- 8** AUX indicator light
- 9** Mode status indicator
- 10** Charging status indicator: Light is on while charging, the light turns off at full charge
- 11** Type-C port: Connect to a compatible DC 5V USB cable to charge the speaker
- 12** USB port: Plug the USB drive in the port to play music (.mp3 file support), the port can also be used as a power bank output
- 13** TF card port: Insert the TF card to play music from the TF card, (.mp3 file support)
- 14** AUX input port

Product Specifications

Model: TP1I-RC

BT version: v5.0

Input modes: Bluetooth, AUX, TF card, USB

Battery capacity: 3000mAh / 3.7V

Playback time: approx. 8 hrs.

Charging time: approx. 5 hrs.