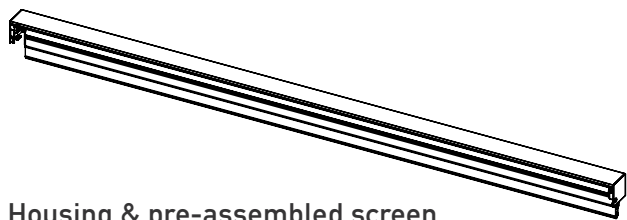


TERRA SUMMER

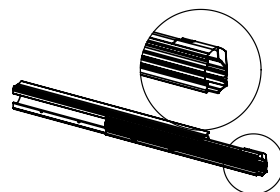
CONTENT

IN THE BOX / NEEDED TOOLS	03
INSTALLATION	
1 - SETUP	04
2 - RUNNING THE ELECTRICAL WIRE	08
3 - POSITIONING THE HOUSING	09
4 - INSTALLING THE U-CHANNELS	11
5 - INSTALLING THE ROLLER TUBE	13
6 - PROGRAMMING THE REMOTE CONTROL	17
7 - INSTALLING THE SHORT SLIDES	18
8 - INSTALLING THE LONG SLIDES	20
9 - MOTOR LIMIT SETTINGS	23
10 - FINAL CHECK OF SYSTEM OPERATION	26
11 - INSTALLING THE FRONT HOUSING	27

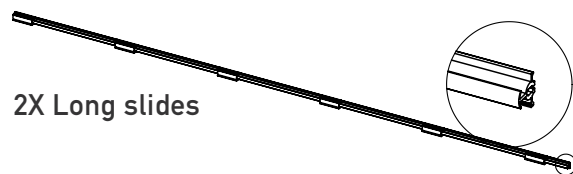
IN THE BOX



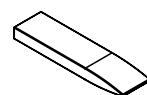
Housing & pre-assembled screen



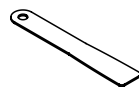
2X Short slides



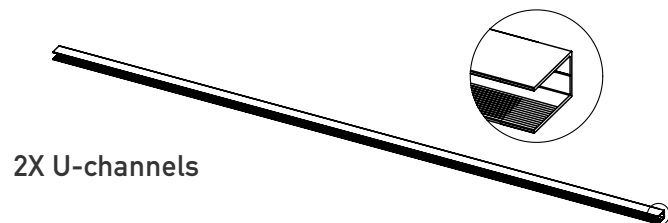
2X Long slides



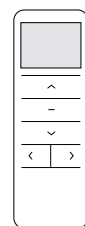
Wooden tool



Flat bar



2X U-channels



Remote

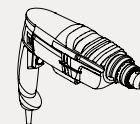


Metal screws
QTY= 2 mounted on the casing
+ 3 more for Model Dura XL



Screws for clips
QTY= 2 mounted on each component
+ 15 extra

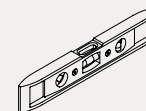
NEEDED TOOLS



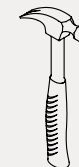
Drill
(Do not use impact drill)



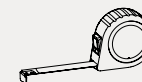
Screwdrivers
Phillips & hexagonal



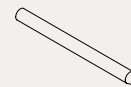
Level



Hammer



Measuring tape



Pencil



Step ladder

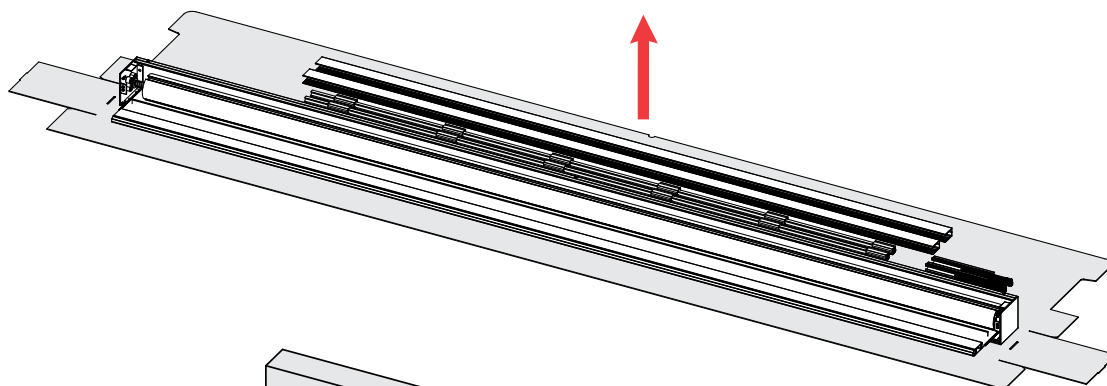
INSTALLATION

1

SETUP

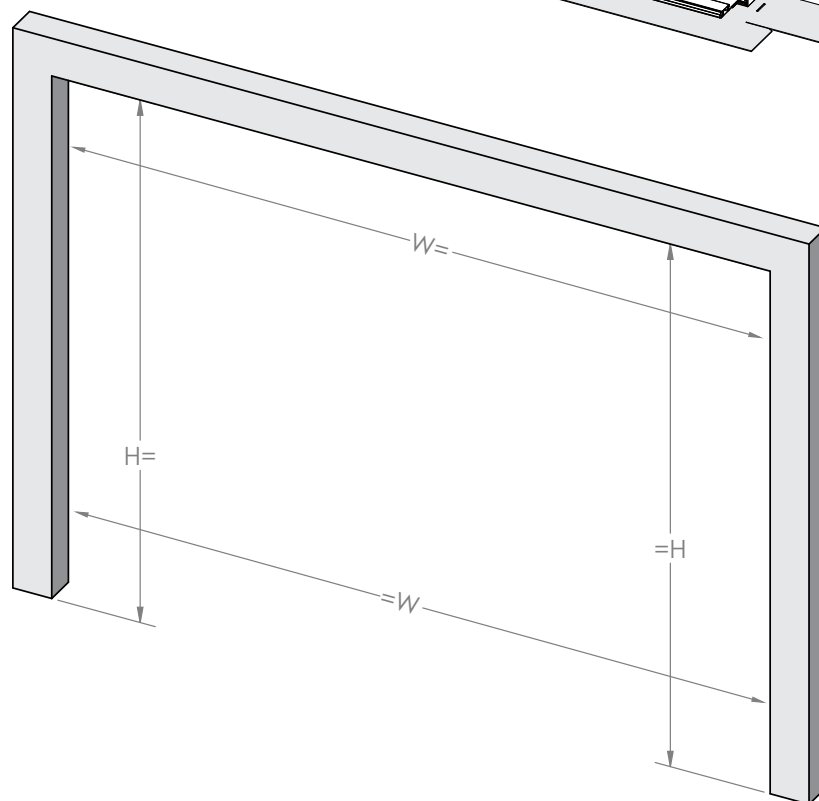
A

Open the box and use it to protect the components on the floor.



B

Make sure that the measurements of the motorized screens match the measurements of the openings to be covered.

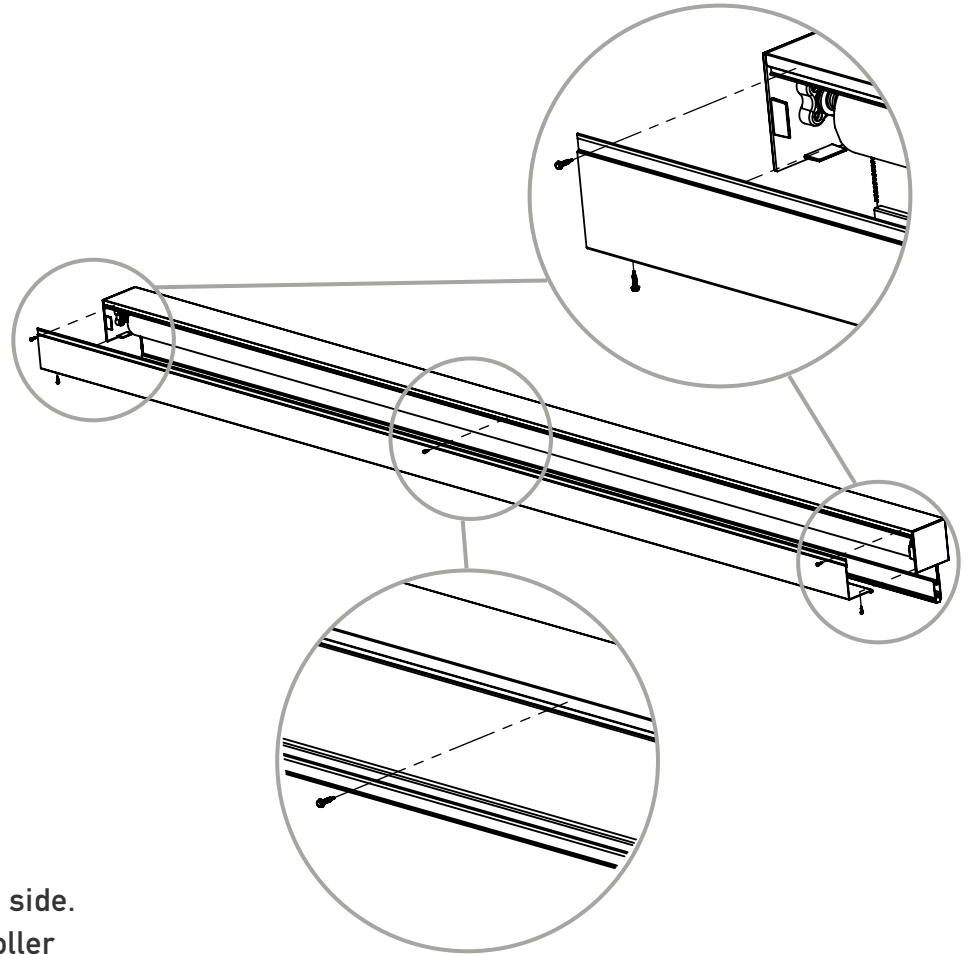


1

SETUP ... CONTINUED

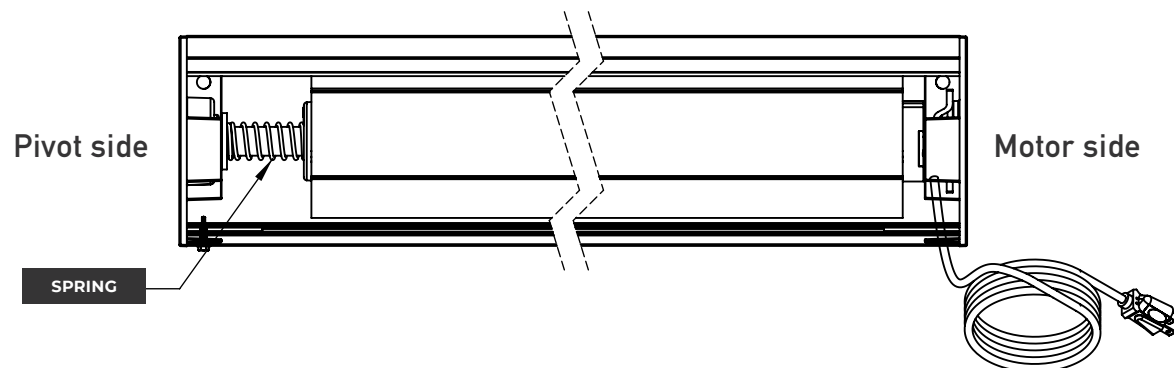
C

Remove the front housing by removing the fixing screws at each end of the housing. Keep screws for later.



D

Identify the motor side with the power supply and the pivot side. The pivot side has a spring that allows the release of the roller tube from its position.

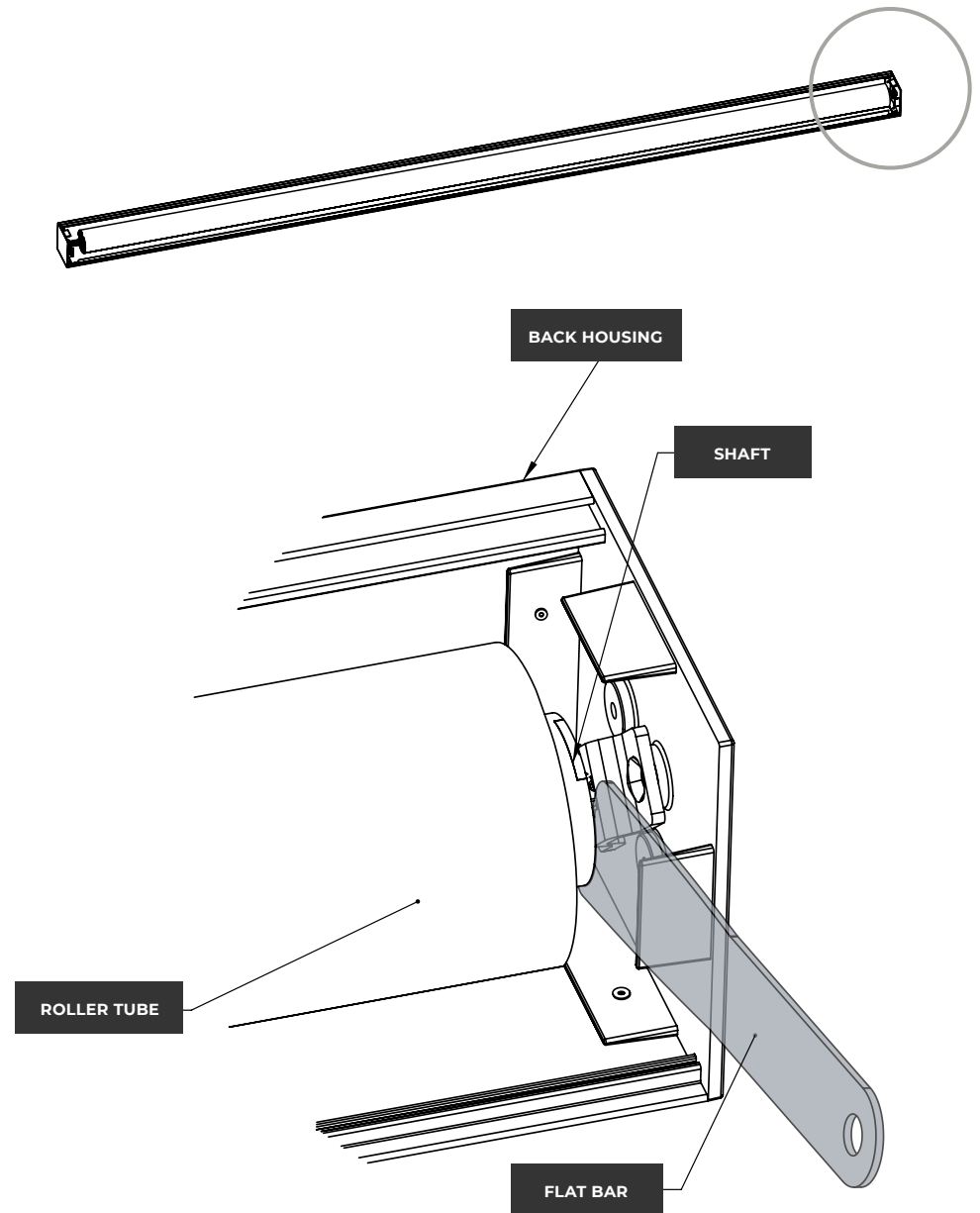


1

SETUP ... CONTINUED

E

Remove the roller tube by inserting the flat bar between the motor and its support and then push to release the square rod from the motor support.

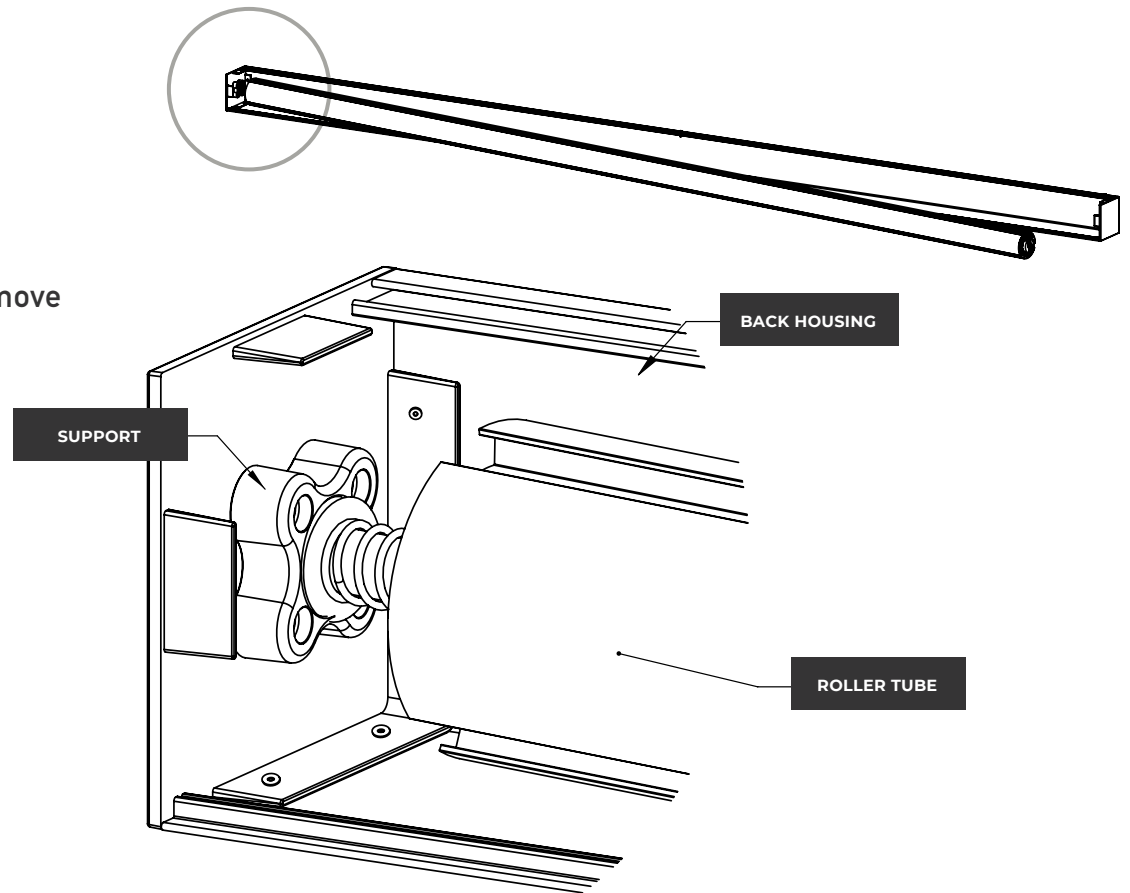


1

SETUP ... CONTINUED

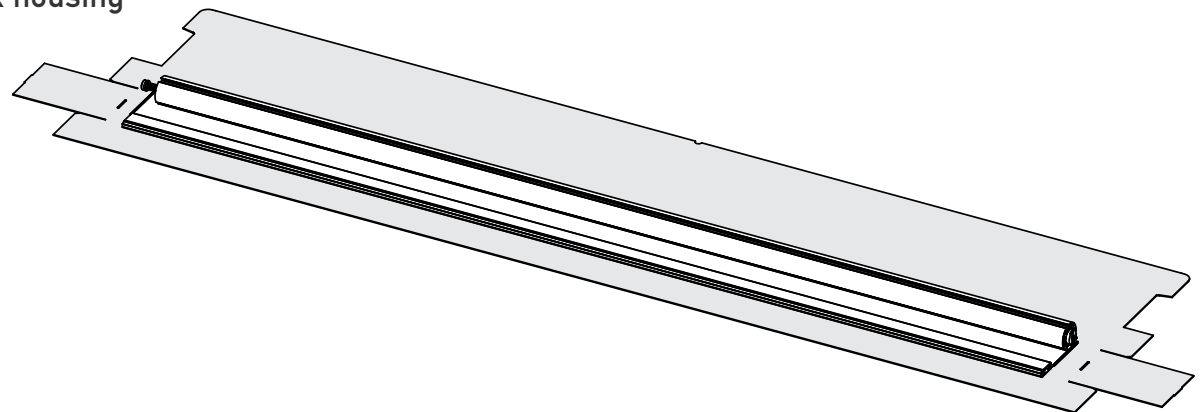
F

Remove the pivot side from its support and remove the roller tube from the back housing.



G

Carefully remove the roller tube, the load bar and the electrical wire from the back housing onto the delivery box.

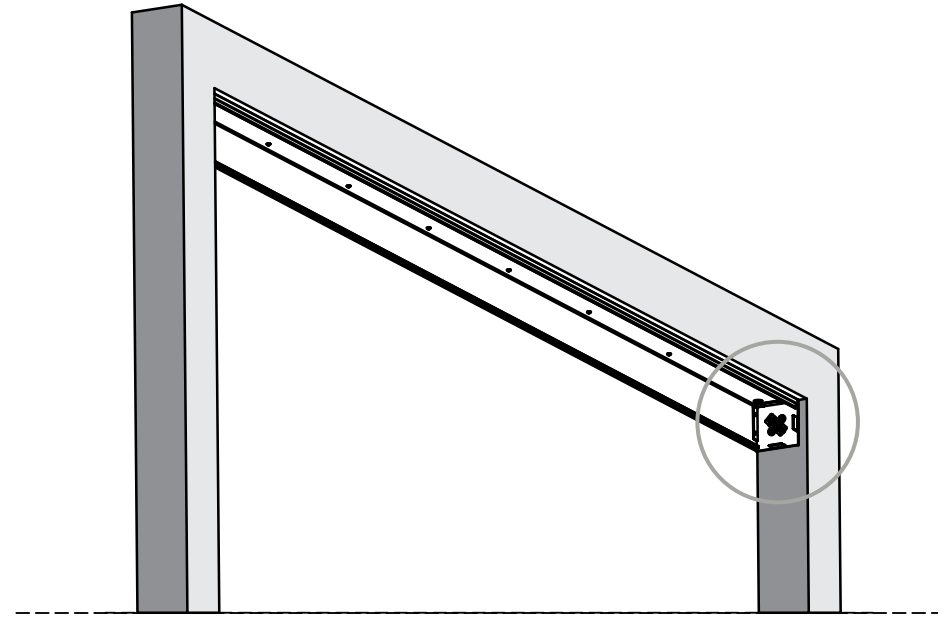


2

RUNNING THE ELECTRICAL WIRE

A

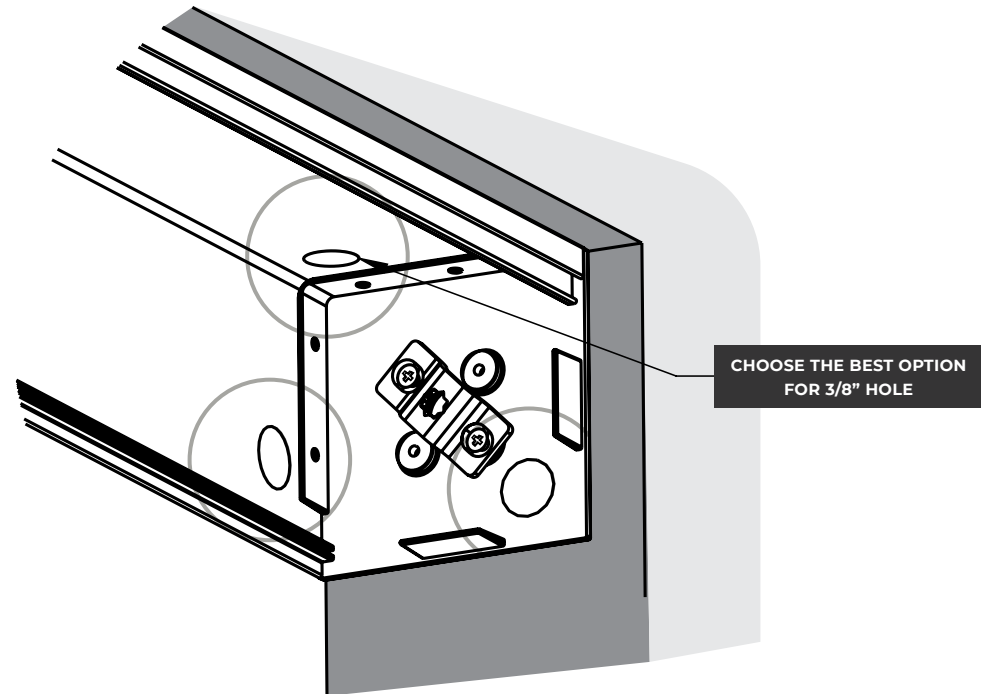
Identify the 3 coloured dots on the inside of the back housing: these dots are the suggested drilling options for running the electrical wire.



B

If your Dura Motorized Screen is installed on a pergola, go to step 3A.

With your electrician, drill a 3/8" hole on the point that represents the best option for the electrical connection of your Dura Motorized Screen.

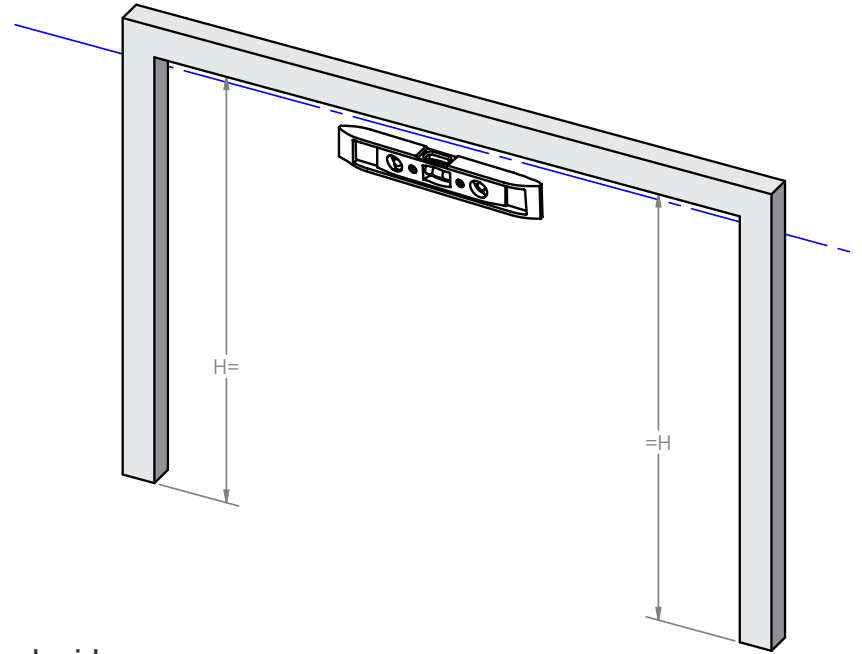


3

POSITIONING THE HOUSING

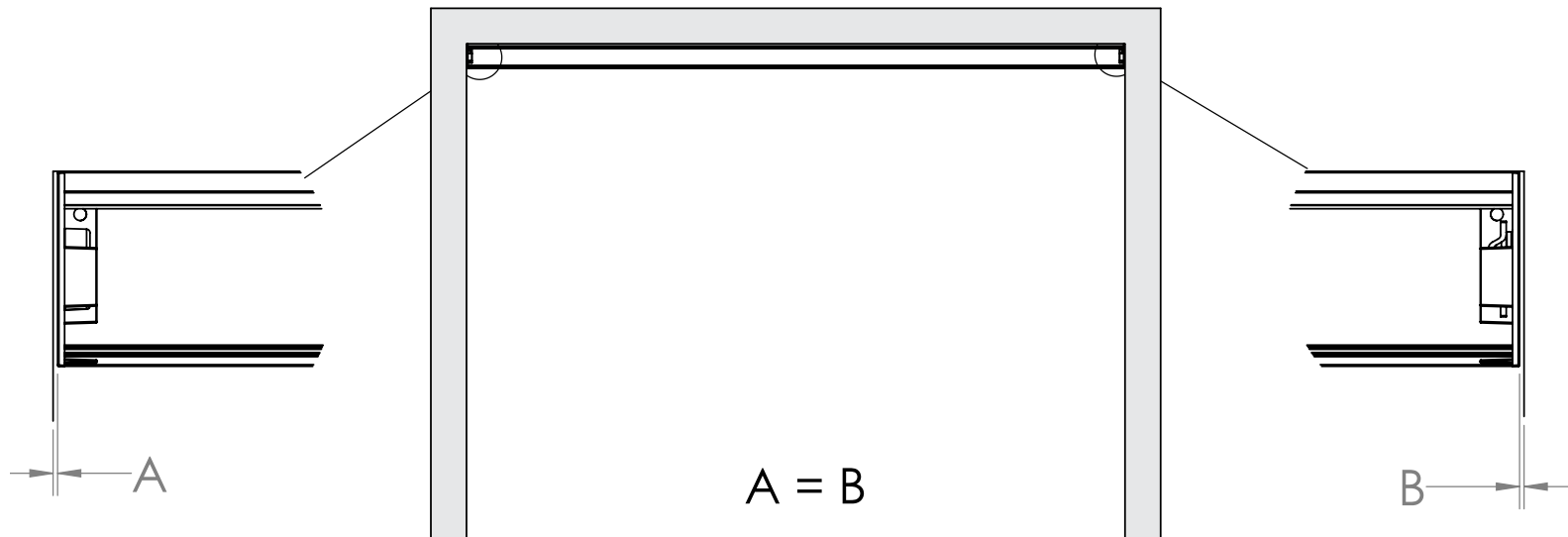
A

Before beginning the installation, use a level to ensure that the top of the opening is straight. If it is not leveled, adjust it by adding shims (not included).



B

Center the back housing in the opening, leaving equal spaces on each side.

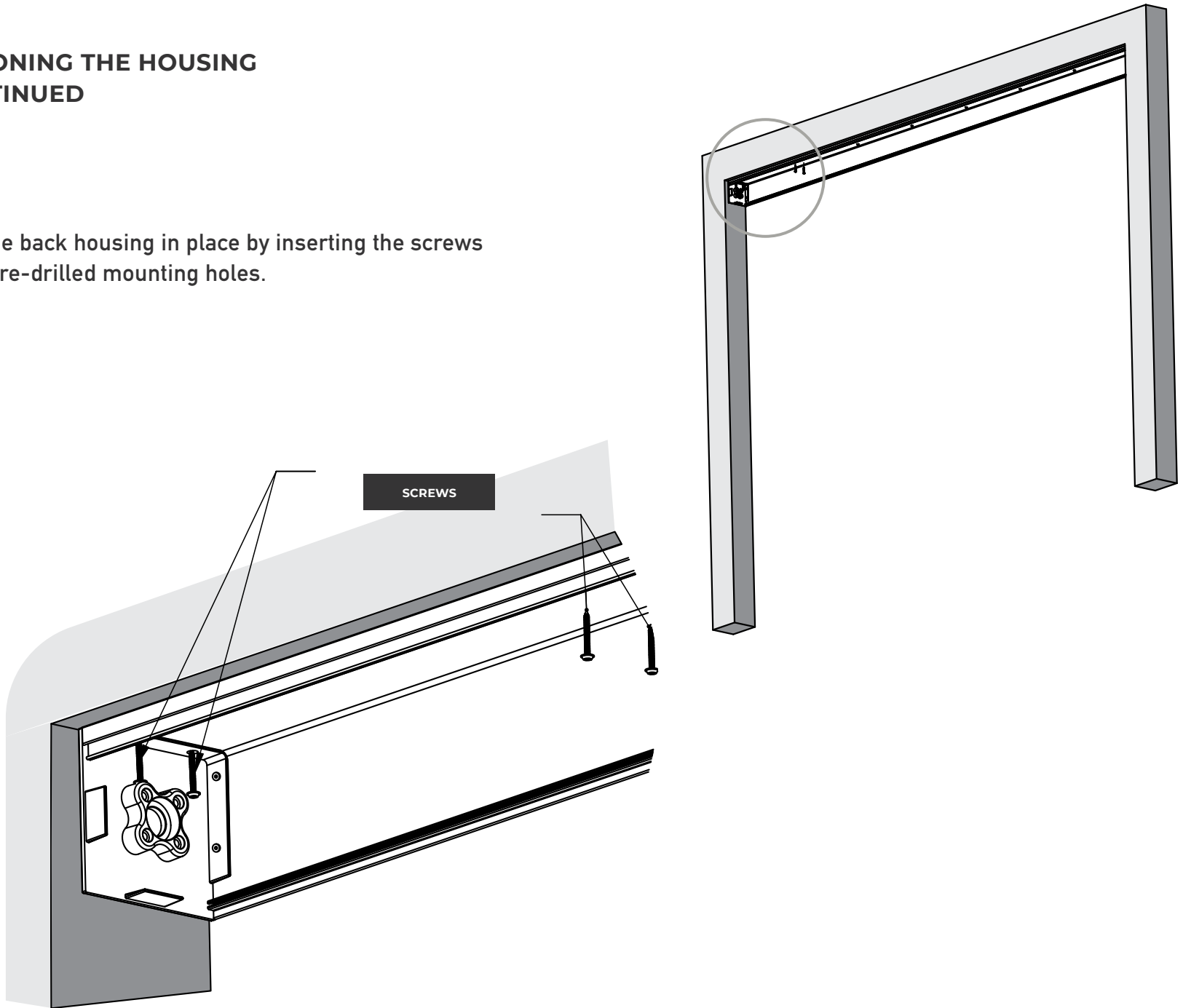


3

POSITIONING THE HOUSING ... CONTINUED

C

Secure the back housing in place by inserting the screws into the pre-drilled mounting holes.



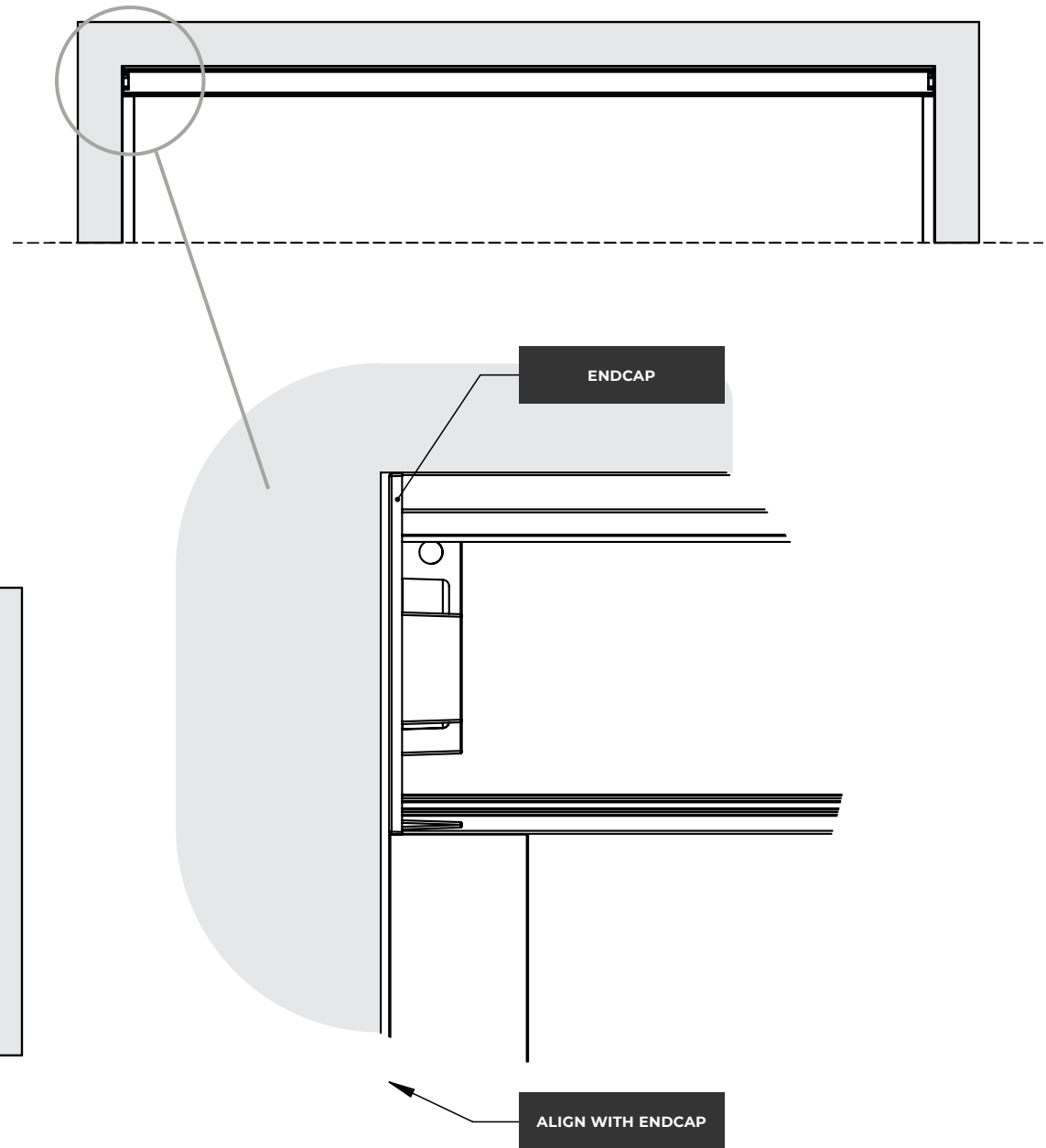
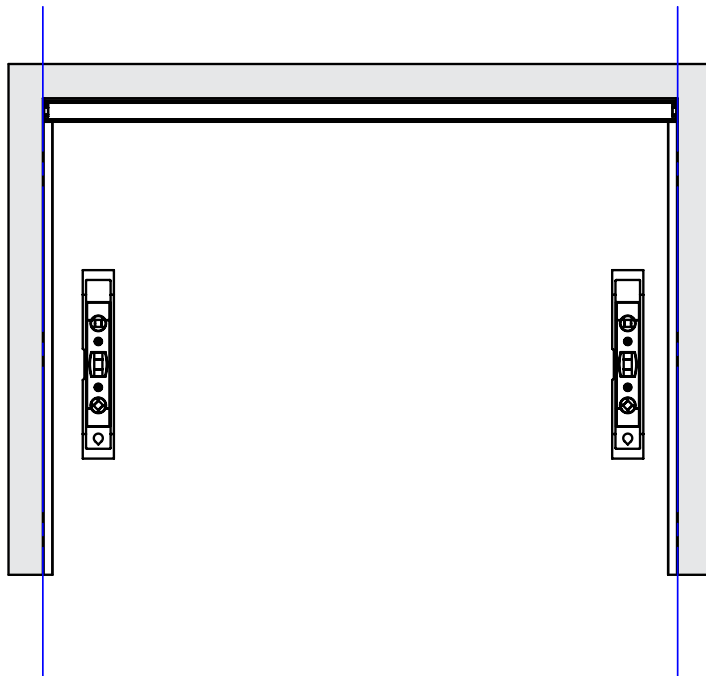
4

INSTALLING THE U-CHANNELS

A

Using a laser level, check that the sides where the U-channels will be installed are square and that they do not have more than a 1/2" gap per side.

If there is a gap of more than 1/2" per side, adjust with shims (not included).

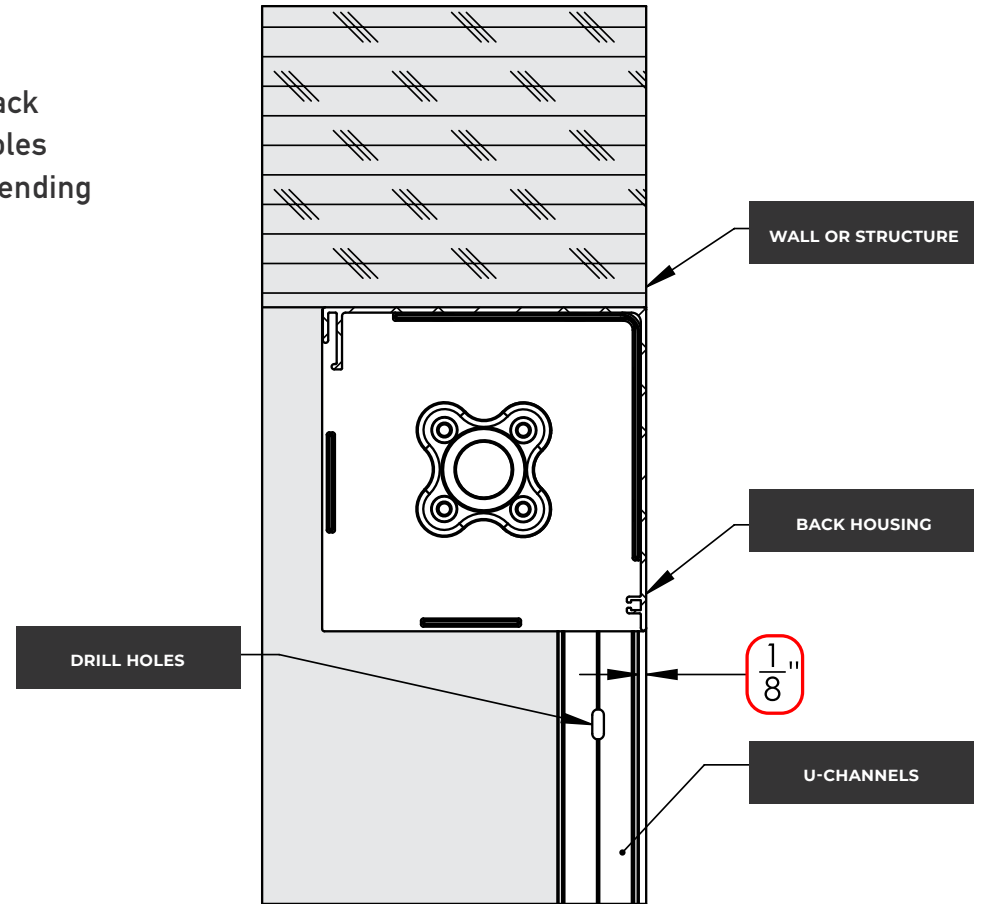
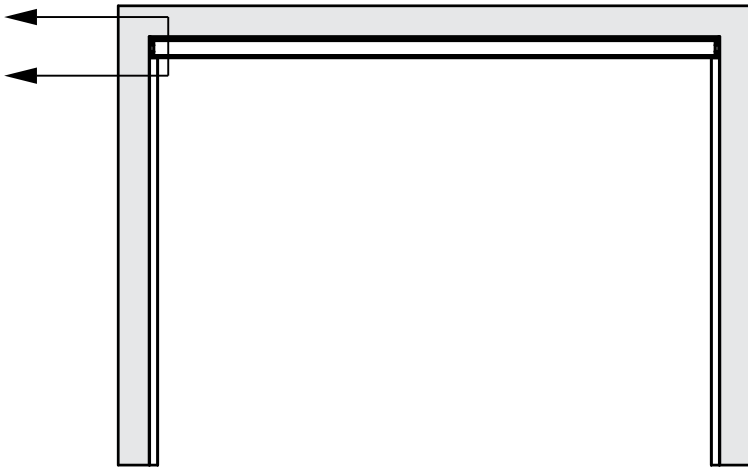


4

INSTALLING THE U-CHANNELS ... CONTINUED

B

Attach the U-channels to the opening by aligning it 1/8" back from the back housing. Screw the channel into the drill holes along the entire length using the appropriate screws, depending on the material.



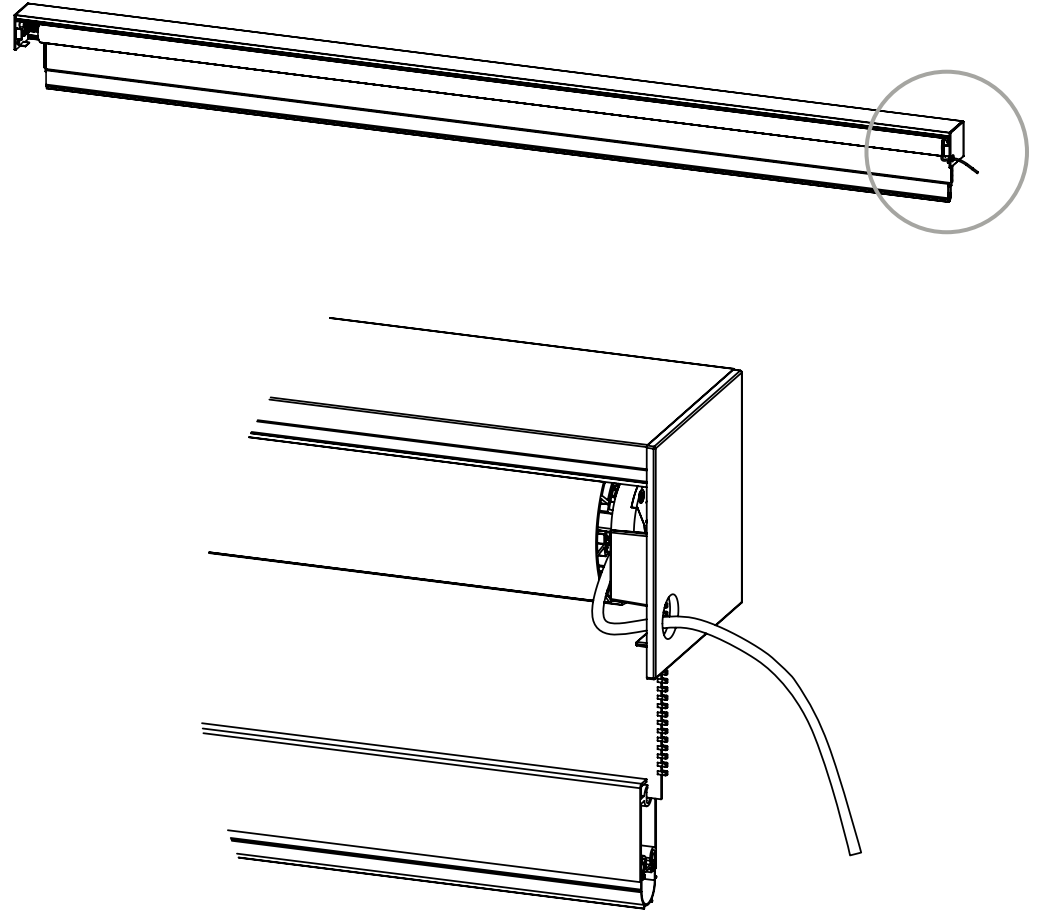
Section view details

5

INSTALLING THE ROLLER TUBE

A

Run the electrical wire through the hole drilled in step 2B or through the pre-drilled hole for a Dura Motorized screen installed on a pergola

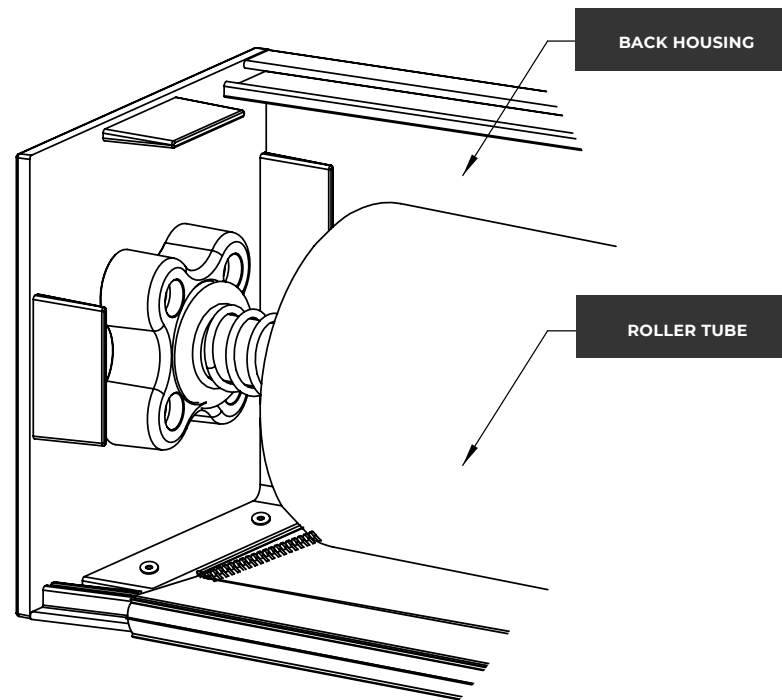
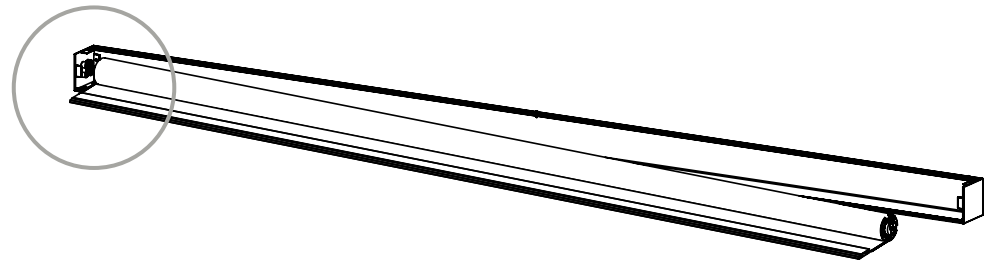


5

INSTALLING THE ROLLER TUBE ... CONTINUED

B

Take the roller tube with the load bar facing out and insert the pivot side of the roller tube into the pivot bracket inside the back housing.

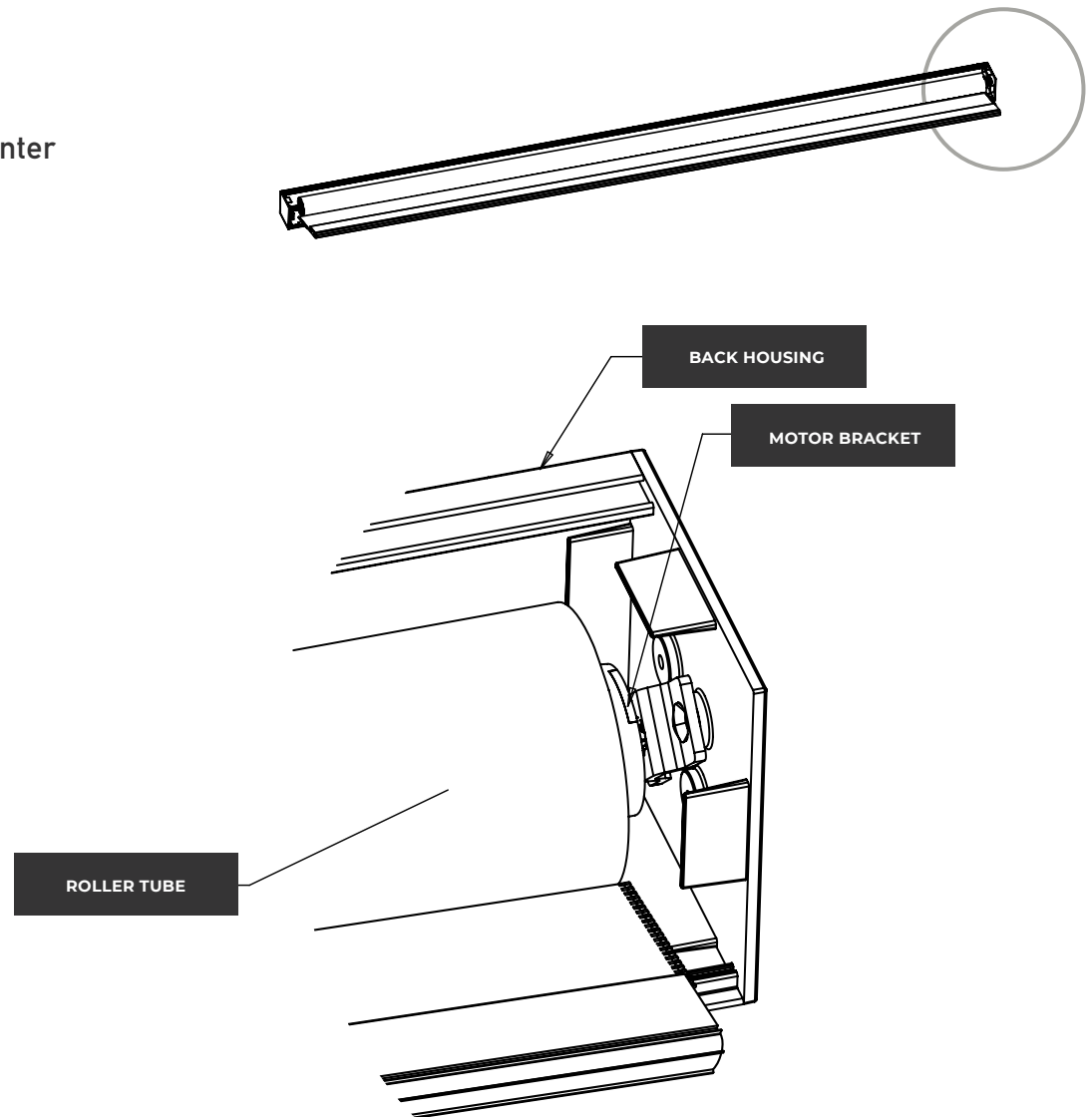


5

INSTALLING THE ROLLER TUBE ... CONTINUED

C

Insert the roller tube onto the pivot side and push in the spring to allow the square rod to enter the motor bracket inside the back housing.



5

INSTALLING THE ROLLER TUBE ... CONTINUED

D

Make sure the roller tube is firmly held in the back housing by the pivot bracket and the motor bracket.

E

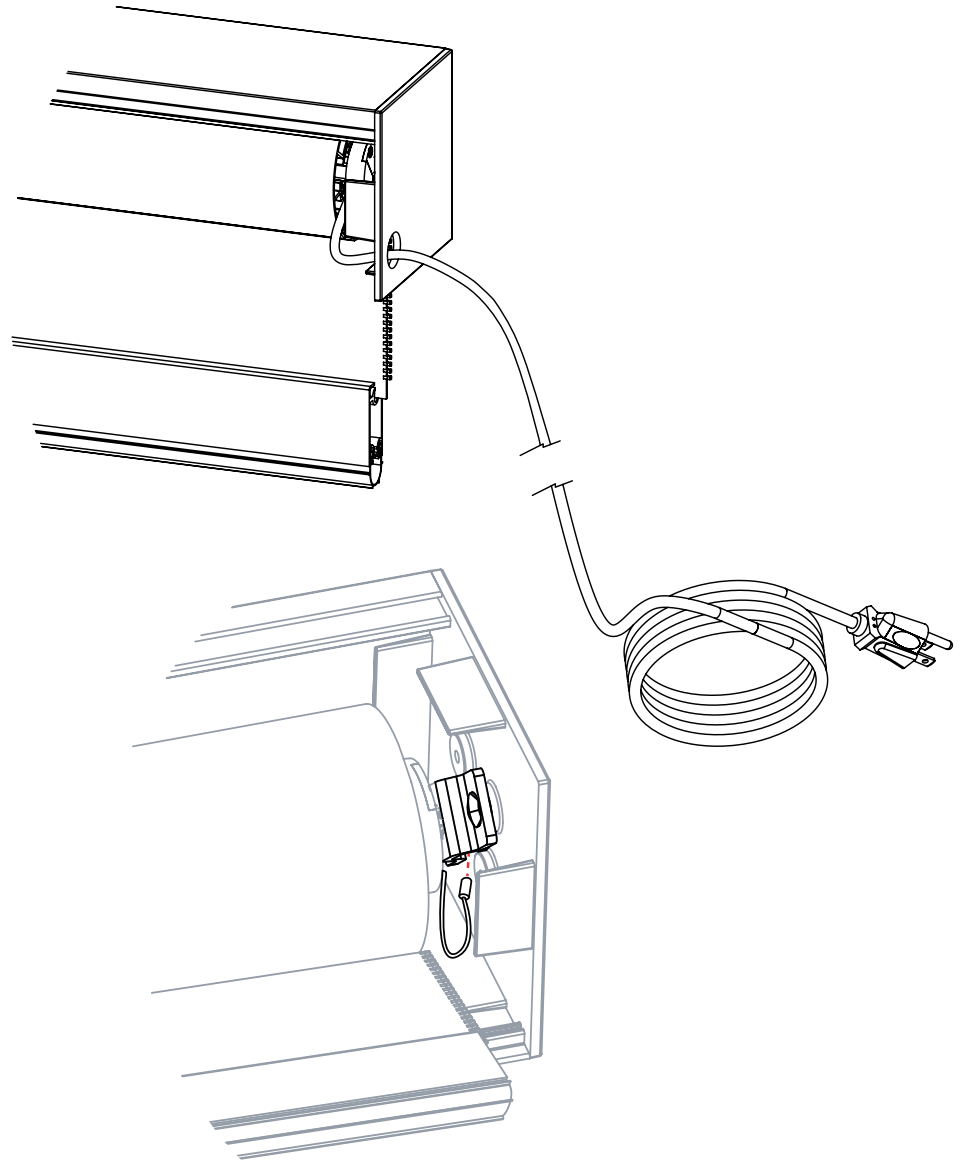
Pull the excess wire out of the housing until a slight downward bend is obtained before the motor's entry access point.

F

Insert the tip of the antenna behind the motor bracket.

G

With your electrician, connect the wire to a junction box or electrical plug.



6

PROGRAMMING THE REMOTE CONTROL



Note: The motor programming steps must be done simultaneously; leaving a long period between these steps will cause the procedure to stop.

A

Select a channel between 1 to 15 using the left and right arrows. Every motor should be on a different channel.

B

Power up the motor. It will beep and jog.

C

Within 10 seconds, press P2 (1 beep and 1 jog).

D

Press P2 again (1 beep and 1 jog).

E

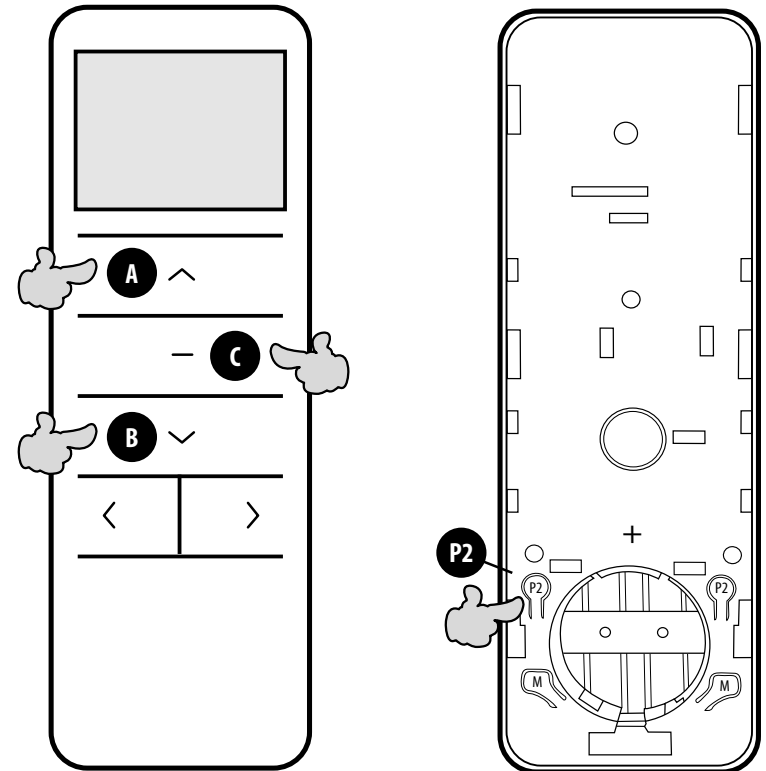
Press the UP arrow (3 beeps and 1 jog).
The motor is now paired with the transmitter.

F

Verify the motor's direction of rotation (up button, the screen goes up, etc.)

If the direction of rotation has to be changed; press and hold up and down buttons simultaneously until the motor beeps and jogs, the direction of rotation has been changed successfully.

If the sequence was interrupted and pairing is not correct; unplug the motor for 10 seconds and start over at step 6A.



7

INSTALLING THE SHORT SLIDES

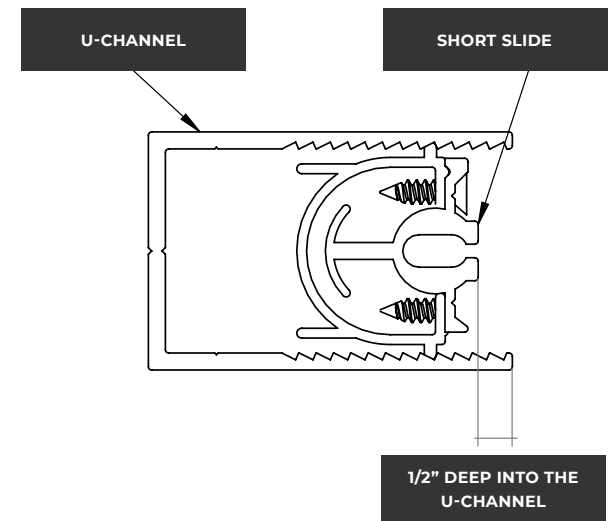
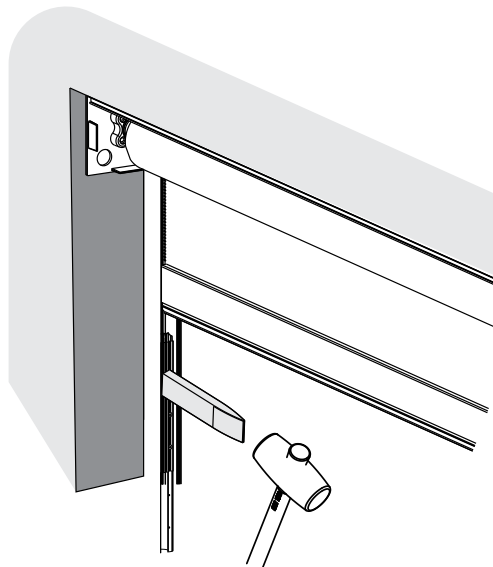
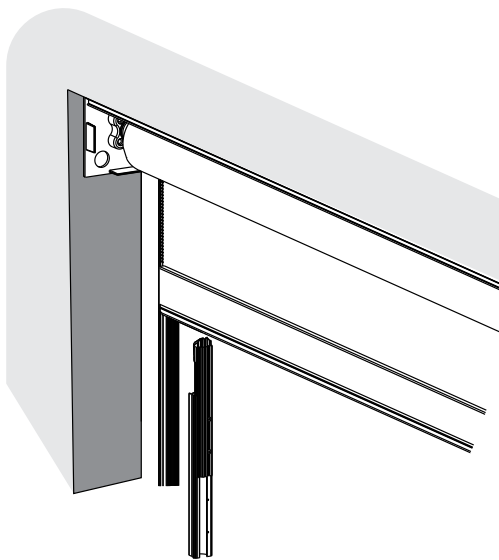
A

Using the remote control, lower the fabric about 7" under the housing.



B

With the plastic tip up, insert the short slide 1/2" deep into the U-channel.



7

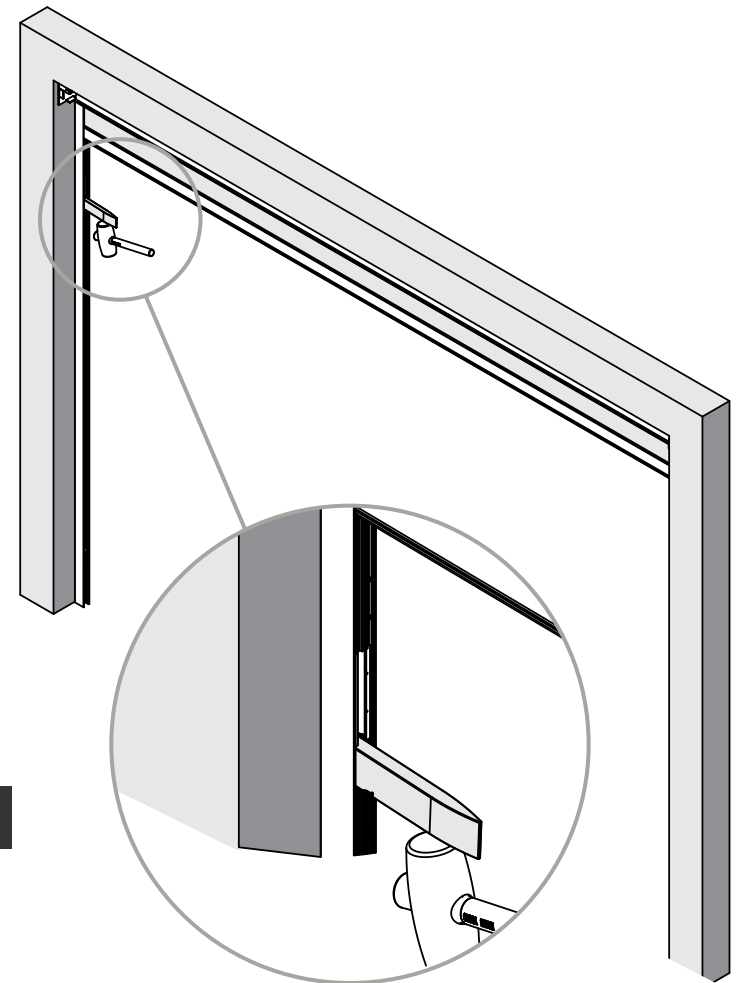
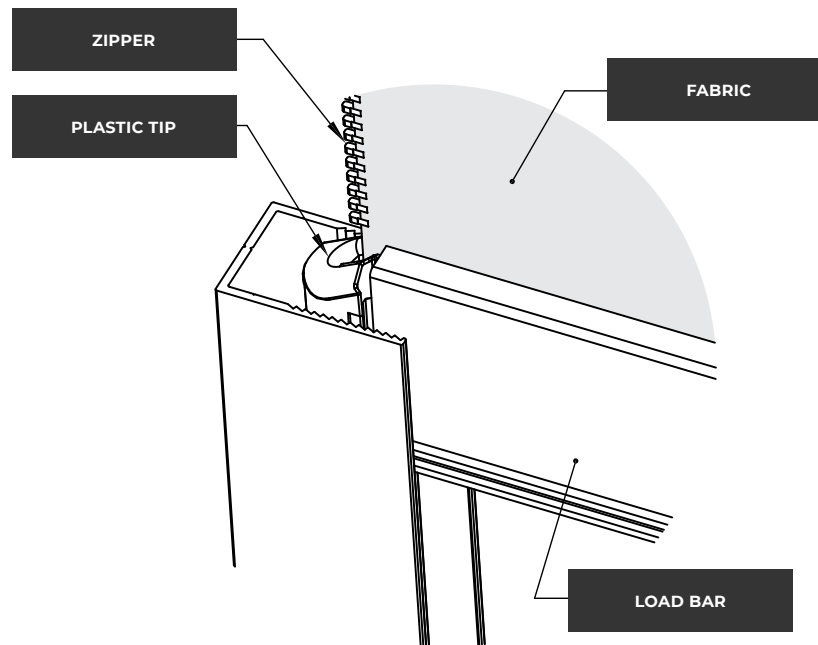
INSTALLING THE SHORT SLIDES ... CONTINUED

C

Using the supplied wood tool and a hammer, drive the short slide into the U-channel until the plastic tip is flush to the U-channel. Make sure that the zipper of the fabric fits into the plastic tip all the way up.

D

Repeat steps 7B to 7C to install the short slide on the other side.



8

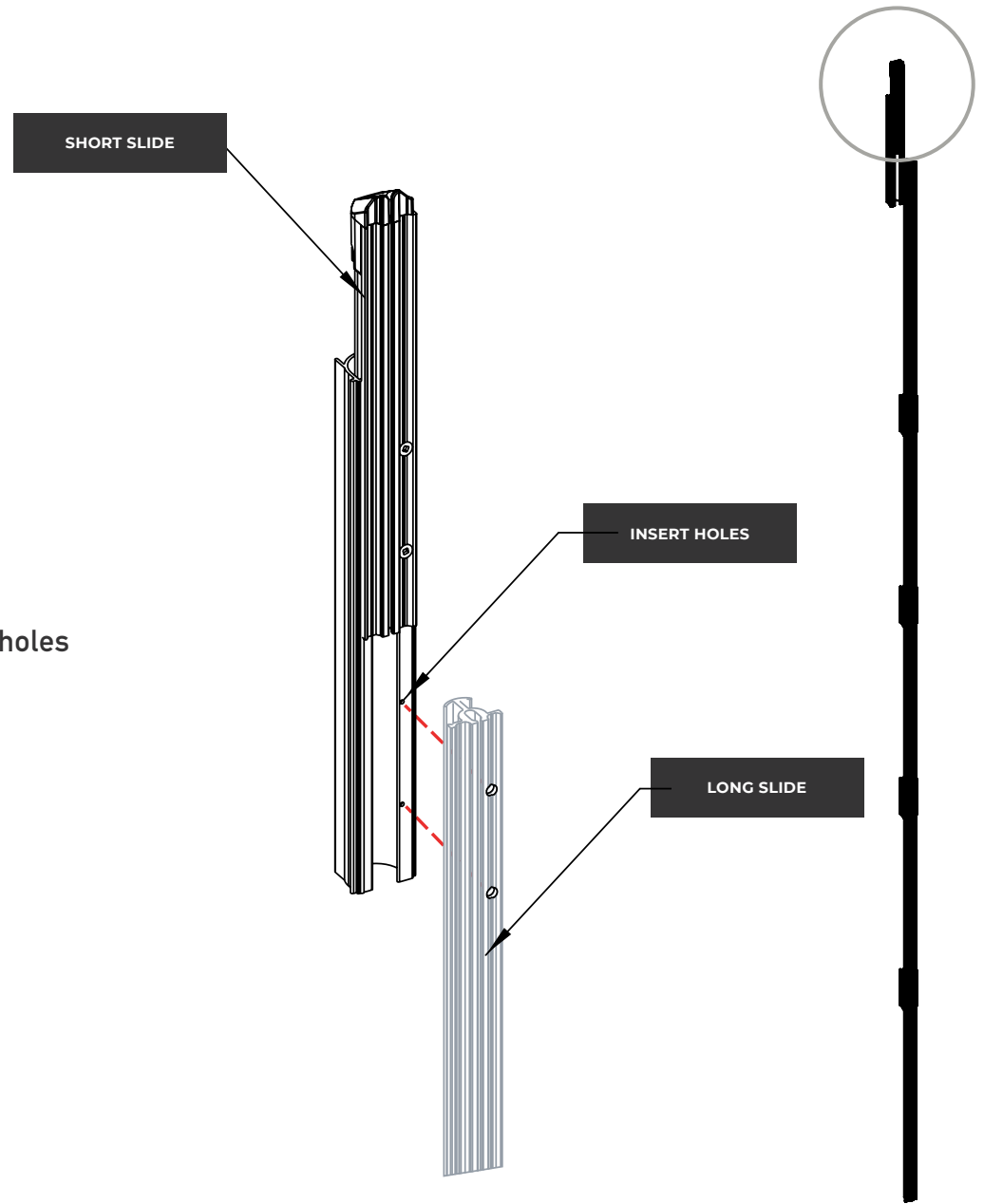
INSTALLING THE LONG SLIDES

A

Identify the side of the left long slide, making sure that the 2 small insert holes are on the same side as the short slide.

B

Align the 2 drill holes of the long slide with the 2 drill holes of the insert attached to the short slide.



8

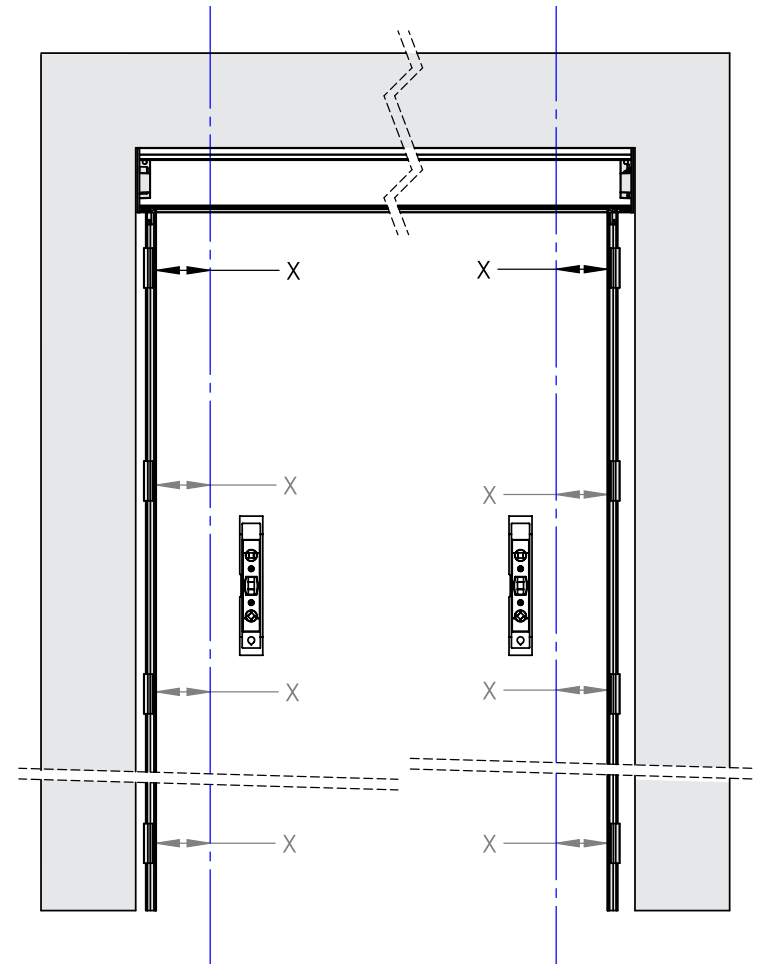
INSTALLING THE LONG SLIDES ... CONTINUED



Note: No impact tool

C

Using a level, adjust the long slide inside the U-channels, making sure that the inserts are level with the first insert.



8

INSTALLING THE LONG SLIDES ... CONTINUED

D

Insert the metal flat bar vertically in the middle crack of the short and long slide to ensure the two are well align.

E

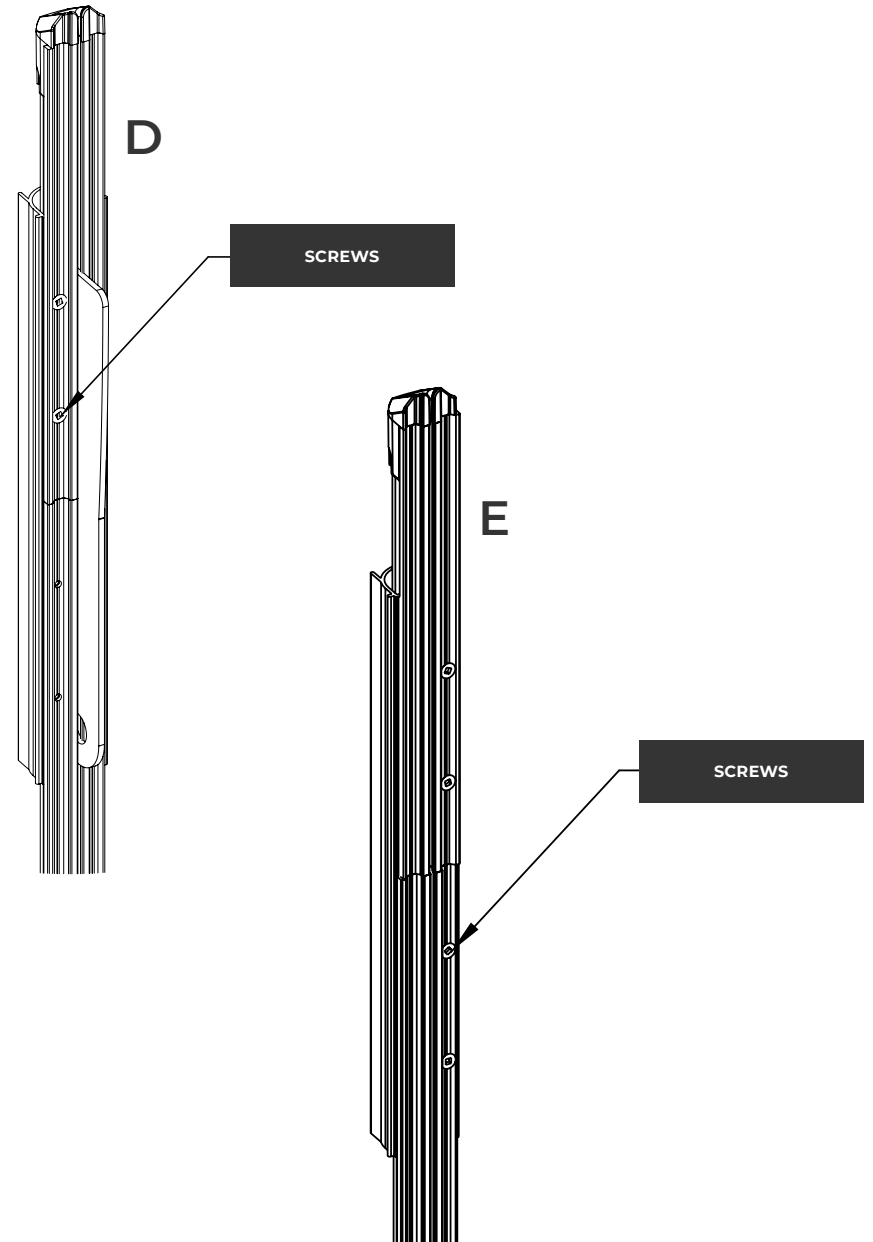
Insert the two screws in the long slide and in the insert attached to the short slide.

F

Repeat steps 8B to 8E for the right slide.



Note: Use the hammer and wooden tool to insert the slide into the U-channel.



9

MOTOR LIMIT SETTINGS

A

Press P2 on the back left of the remote (1 beep and 1 jog).

B

Press UP (A) arrow on the front of the remote (1 beep and 1 jog).

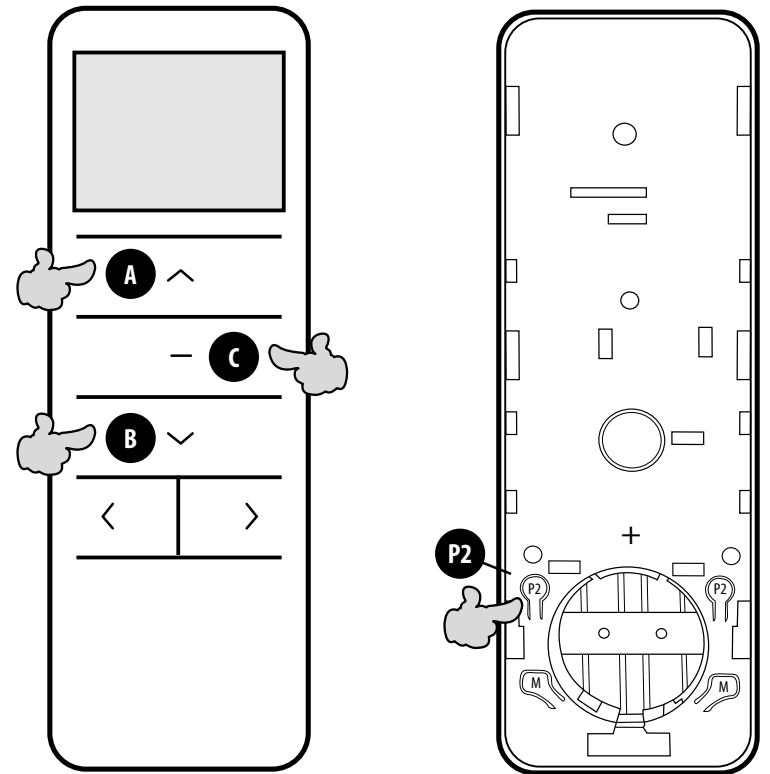
C

Press P2 (3 beeps and 1 jog).
The motor is ready for limit settings.



Note: It is imperative to set the final limits as the fabric may be damaged if this step is not taken.

Damaged fabric for lack of limit setting is not covered by warranty.



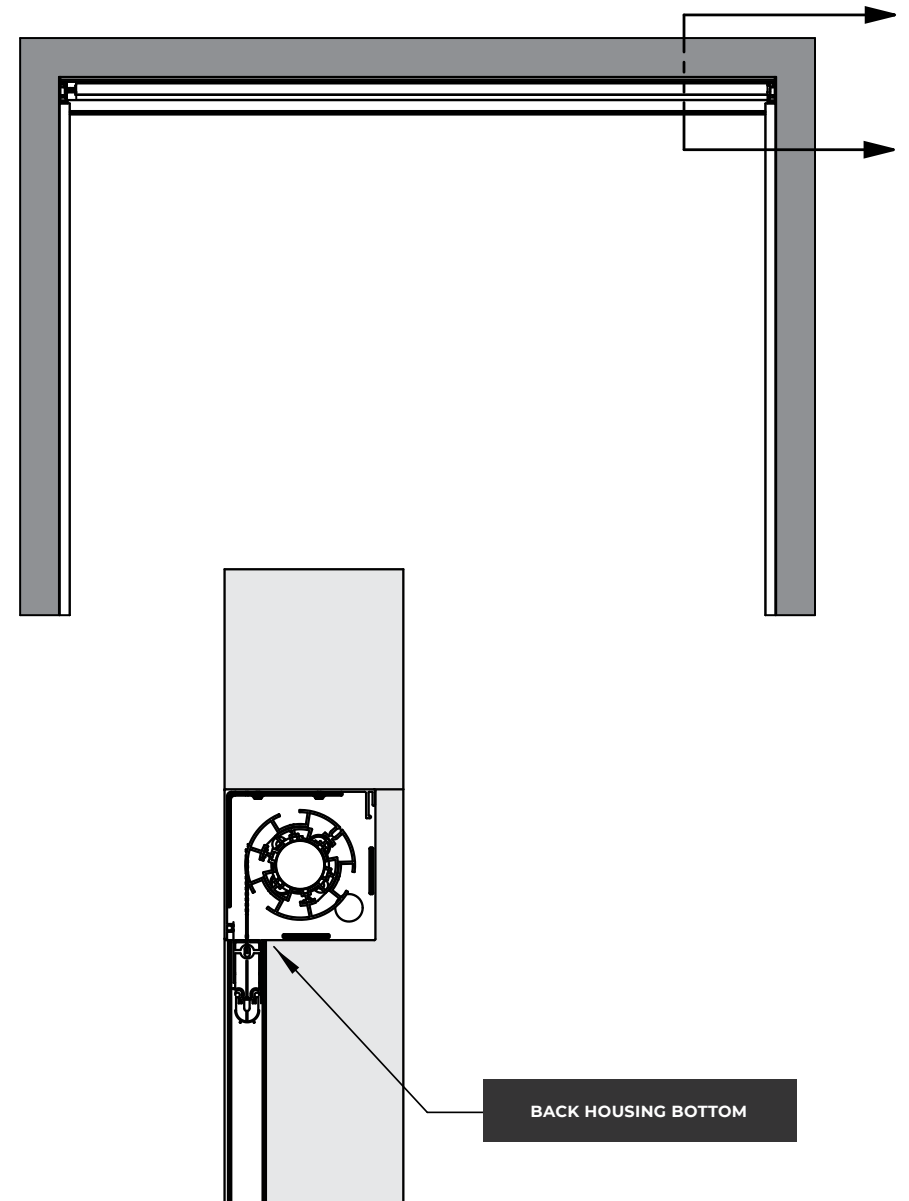
9

MOTOR LIMIT SETTINGS ... CONTINUED

D

To adjust the top limit, raise the fabric until the top of the load bar reaches the same height as that of the bottom of the back housing.

Press and hold the Stop button on the front of the remote control until the motor beeps 3 times and jogs to confirm the desired height.



9

MOTOR LIMIT SETTINGS ... CONTINUED

E

To set the bottom limit, lower the fabric until there is a 1/4" gap between the rubber and the floor.
Press and hold the Stop button on the front of the remote control until the motor beeps 3 times and jog to confirm the desired height.
The limits are now set.

FINE TUNING OF THE FINAL LIMITS:

- a. Move the screen to the limit you wish to modify.
- b. Press and hold UP and DOWN buttons simultaneously for 5-10 seconds (3 beeps and 1 jog).
- c. Adjust the screen to the desired new limit, then press and hold STOP button for 5-10 seconds until (3 beeps and 1 jog).

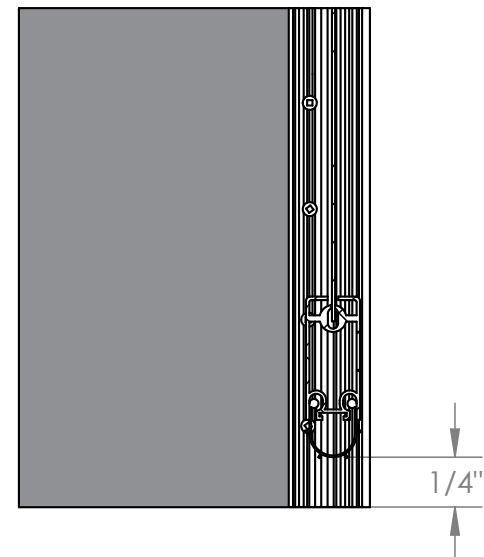
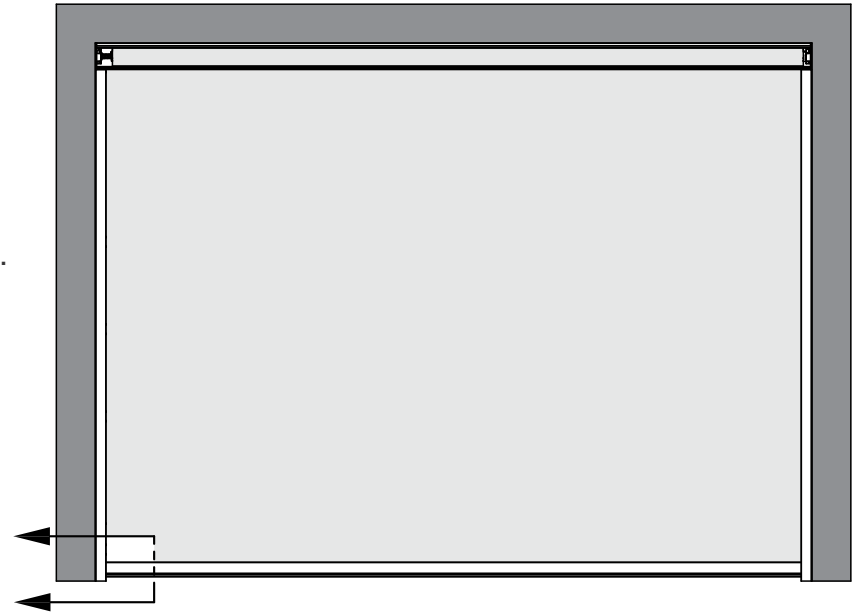
The new upper or lower limit is programmed successfully.

IF NECESSARY, DELETE ALL LIMITS:

- a. Press P2 (1 beep and 1 jog).
- b. Press DOWN (1 beep and 1 jog).
- c. Press P2 (3 beeps and 1 jog).

All limits are now removed.

After removing the limits, go to step 9A to proceed with a new setting.



10

FINAL CHECK OF SYSTEM OPERATION

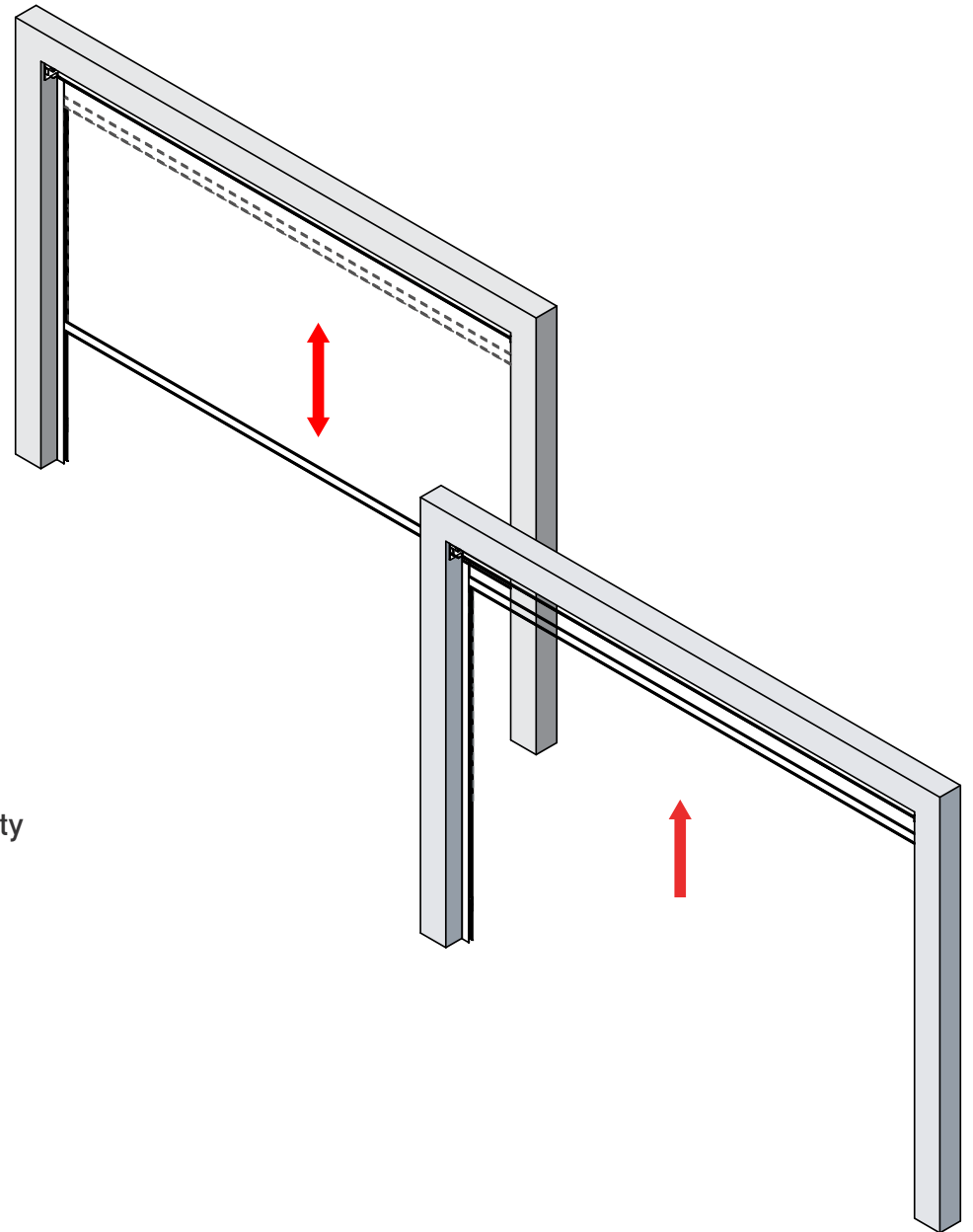
A

Run the system up and down three times to verify the proper operation and limit settings. Finish with the screen up for the next step.

If you find any malfunction, please contact Technical Support at 1-800-515-6652.

B

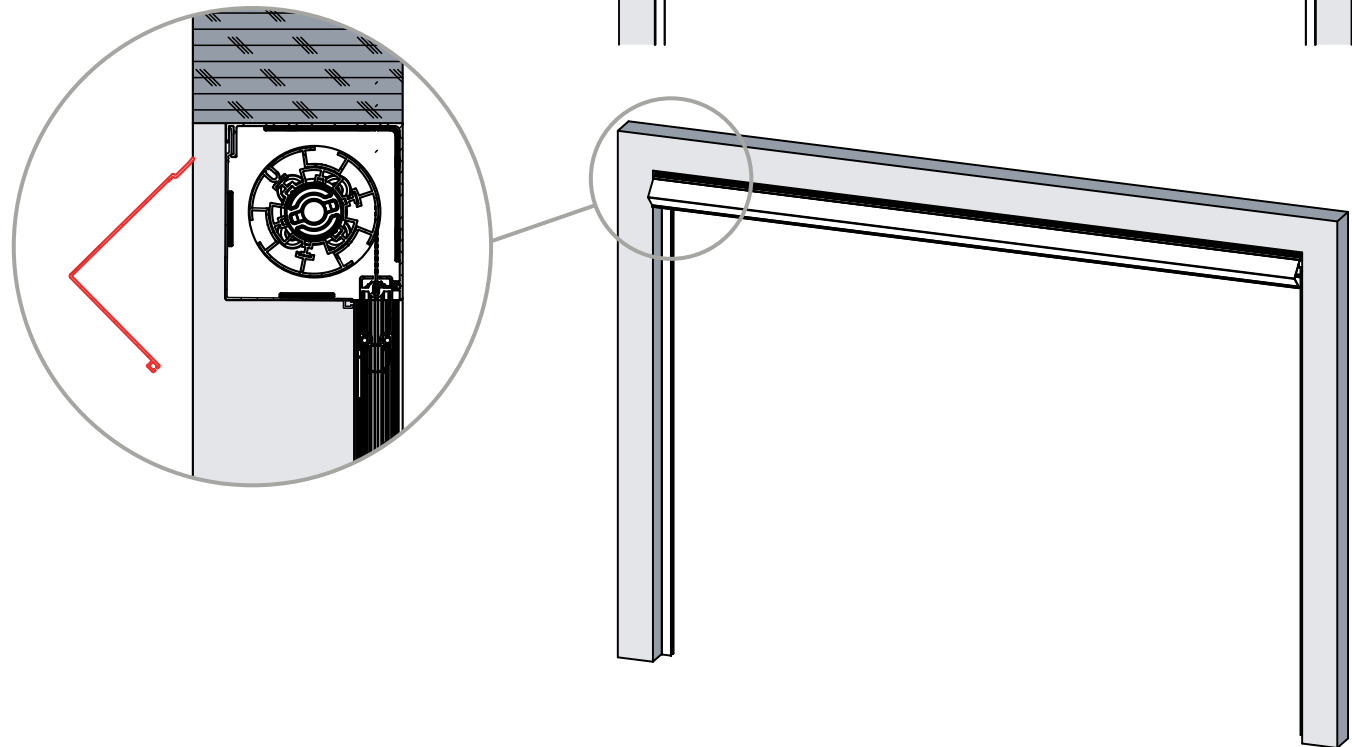
Roll up the fabric completely. Check and make sure the antenna and the electric cable do not impair the rolling of the fabric or have the possibility to get caught in the rolling fabric.



INSTALLING THE FRONT HOUSING

A

Insert the top of the front housing into the notch in the rear housing at a 45-degree angle and rotate the front housing down.



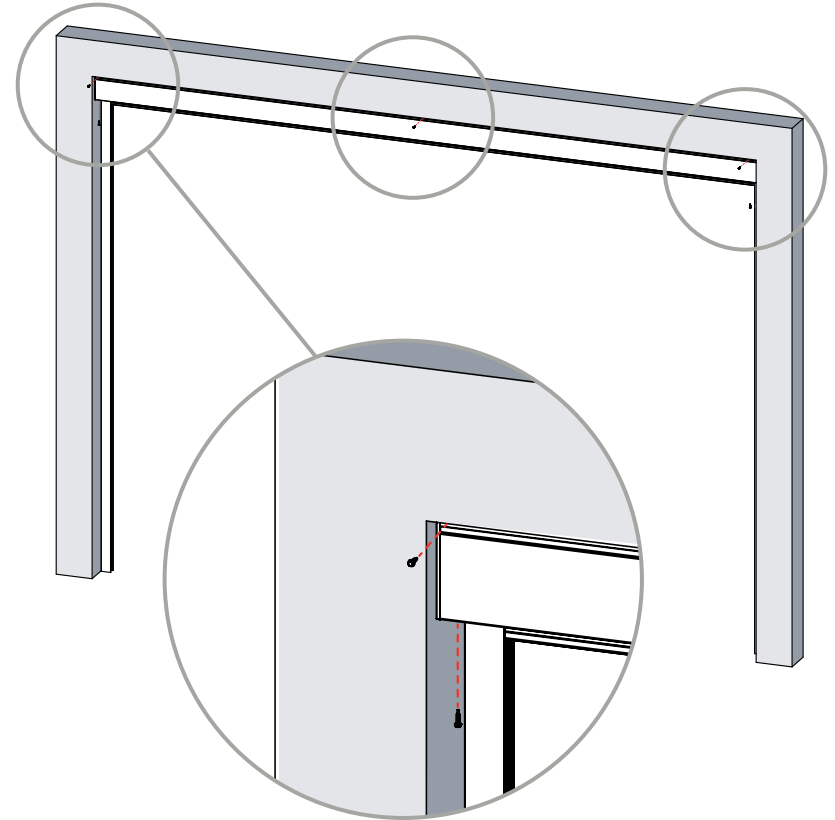
11

INSTALLING THE FRONT HOUSING ... CONTINUED

B

Once the front housing is in the correct position, install the screws removed in step 1C.

Then insert the screws into the pre-drilled holes on the front of your Dura XL system.



TERRA SUMMER

1-800-515-6652

info@terrasummer.com

terrasummer.com