

TERRA SUMMER

TABLE OF CONTENTS

WARNINGS	03
PREPARATION OF THE INSTALLATION SURFACE	04
VERIFYING YOUR PERGOLA'S ANCHOR POINTS	05
TOOLS REQUIRED	06
INSIDE THE BOX	07
TIPS AND TRICKS / COMPONENTS	09
INSTALLATION	
1 - Wall Supports Installation	10
2 - Wall Profile Installation	13
3 - Building the Front Arch	15
4 - Preparation of the Blades Support Rafters	17
5 - LED Light Option	18
6 - Frame Assembly	20
7 - Installation of the First and Last Blades	23
8 - Checking for Squareness	24
9 - Ground Anchoring	25
10 - Tray Profile Installation	26
11 - installation of the Piston Blade	27
12 - Maneuvering Profiles installation	28
13 - Installation of the Rest of the Blades	30
14 - Tray Cover Installation	31
ELECTRICAL REQUIREMENTS	32
FAQS / MAINTENANCE TIPS FOR LOUVERED PERGOLAS	33

WARNINGS

ATTENTION! PLEASE READ THIS USER'S MANUAL BEFORE USING AND INSTALLING THE PRODUCT. SAVE THESE INSTRUCTIONS FOR FUTURE REFERENCE.

- The installation of a pergola must be done with care because of its requirements and necessitates a certain level of skill to:
 - Measurement and levelling of the supports and the structure.
 - Drilling in the ground and installation of chemical sealant or adapted fasteners.
 - Work at height and handling of heavy loads.
 - Electrical connection in the case of an electrically operated pergola.

If you have any doubts about the correctness and safety of your installation, call a professional.

- The pergola must be installed according to the building code in your area. A minimum of four people are required with personal protective equipment (PPE) and the proper materials. If you have any problems, please consult a qualified person on this product for assistance.
- Observe the safety instructions to prevent damage from improper use! Observe all warnings in the manual.
- This is a product that presents a risk of falling and serious injury. All assembly steps must be carefully followed. A faulty fastening or incorrect installation can lead to the pergola falling or breaking.
- It is important for the safety of everyone to follow these instructions.
- It is strictly forbidden to climb on the pergola's blade deck.
- It is strictly forbidden to climb on the structure of the pergola.
- It is the installer's responsibility to secure the pergola to the ground.
- The manufacturer assumes no responsibility for damage to the pergola or its contents caused by natural disasters or special events.
- In case of frost, the blades must be in the open position. In case of heavy snowfall, remove the snow from the pergola. Do not allow snow to accumulate on the pergola's blade deck under any circumstances.

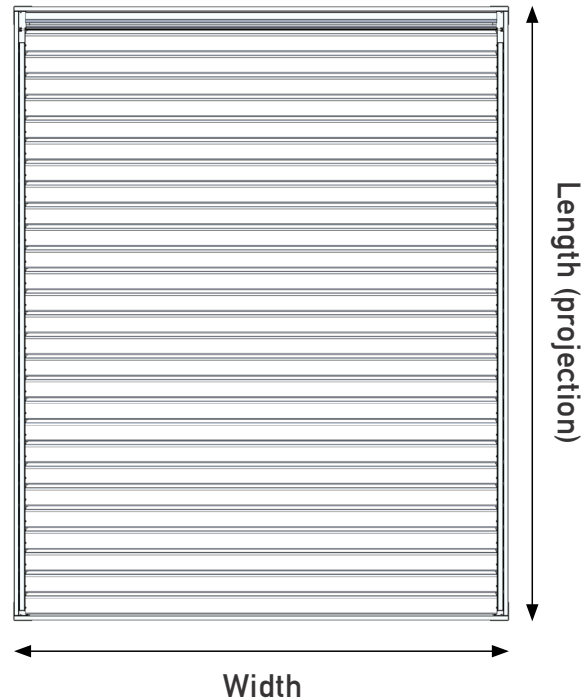
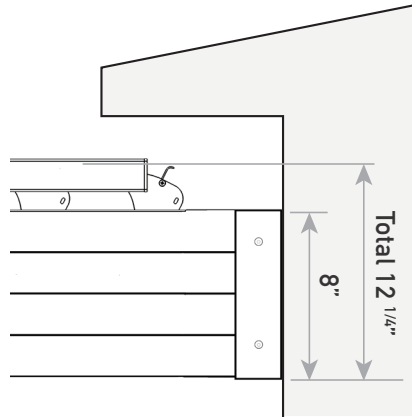
PREPARATION OF THE INSTALLATION SURFACE



Determine the installation location of the pergola by referring to the dimensions on your order form.

Determine the installation location of the front and back of your pergola.

Make sure that the installation location is free from interference and that the clearance height allows for the installation of the pergola and the opening of the blades.



NO. OF BLADES	LENGTH (overall)
6	50 ^{11/16}
7	57 ^{5/8}
8	64 ^{1/2}
9	71 ^{3/8}
10	78 ^{1/4}
11	85 ^{3/16}
12	92 ^{1/16}
13	98 ^{15/16}
14	105 ^{13/16}
15	112 ^{11/16}
16	119 ^{5/8}
17	126 ^{1/2}
18	133 ^{3/8}
19	140 ^{1/4}
20	147 ^{3/16}
21	154 ^{1/16}
22	160 ^{15/16}
23	167 ^{13/16}
24	174 ^{3/4}
25	181 ^{5/8}
26	188 ^{1/2}
27	195 ^{3/8}
28	202 ^{3/4}

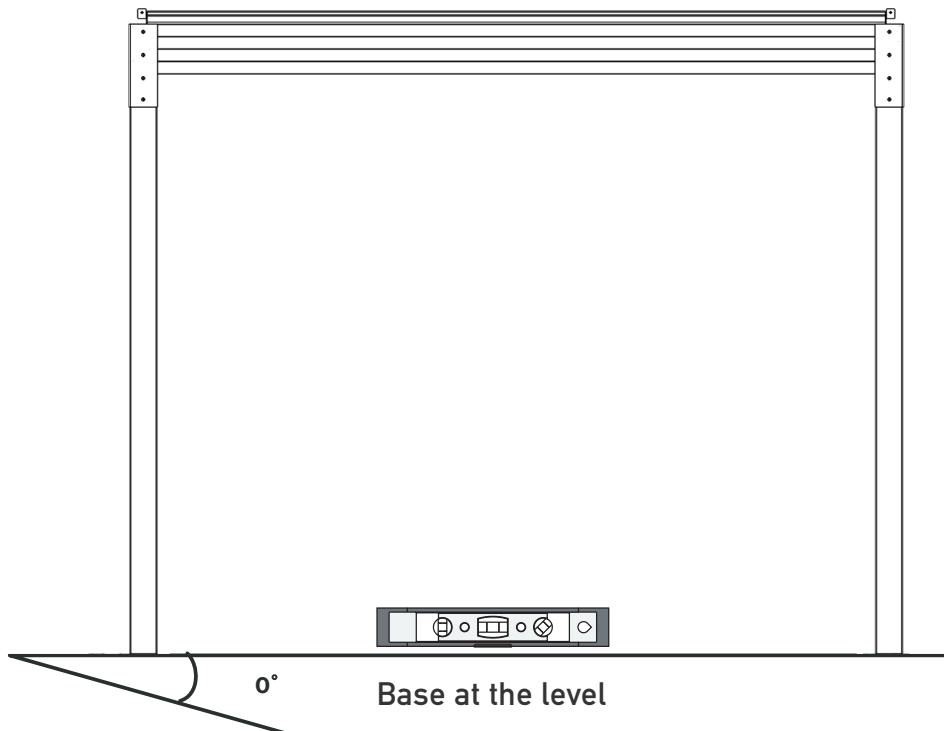
VERIFYING YOUR PERGOLA'S ANCHOR POINTS



The 2 posts of the pergola and the mural supports must be securely anchored to prevent the pergola from falling over. We recommend the following footings for the posts:

- On a concrete slab at least 5-5/8" thick covering the entire space covered by the pergola;
- On 2 reinforced concrete bases (one for each post) with a minimum dimension of 26" x 26" x 26" (1100 lbs);
- On sonotubes (one for each post) of 16" diameter x 48" deep.

These are recommendations only, Please check with frost levels, wind speed in your area as well as your pergola's height.



Anchor bolts recommended at least three per foot plate of 3/8 diameter x 4.5" long with a pull-out resistance of 1100 lbs each.

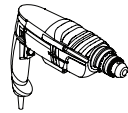
If the footers are not made, make sure that the anchor points of the posts will all be level with each other, thus all at level zero.

If the preparation is already done and the anchor points are not all at level zero, shim the anchor points so that they are all at level zero and all level with each other.

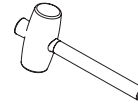
TOOLS REQUIRED



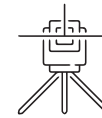
Wrench No.13
No.: 2



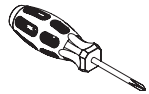
Drill



Rubber Mallet



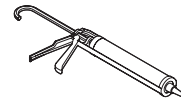
Laser level



Phillips
Screwdriver



Concrete drill bit
(minimum 3/8")



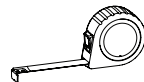
Caulking gun with
clear silicone



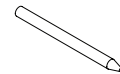
Stepladders (x2)



Allen Keys
No.5, No.6



Measuring Tape



Pencil



**Do Not Use Impact Drill Tools.
Only use low torque/impacts
to not break screws**

ACCESSORIES REQUIRED FOR PISTON WIRING

1X cable extension 14/2 NMWU - 15 amps.

1X 2 way IP68 waterproof connector

See P.24 or contact us for length and details

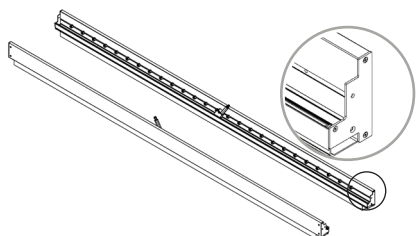
For additional wiring (screen, heaters,etc.),

contact us for more information.

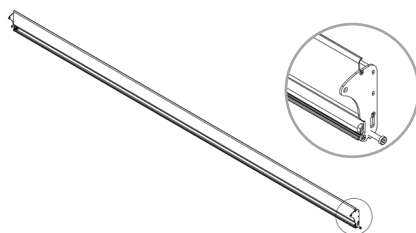
IN THE BOX



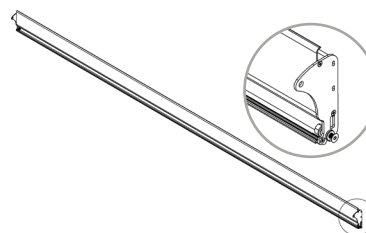
BEFORE BEGINNING THE INSTALLATION, check the content of the packages received.
If any element is missing, contact our technical department as soon as possible
(do not assemble the structure if any element is defective).



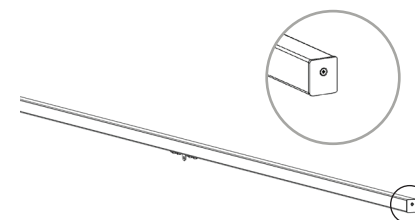
BLADE SUPPORT RAFTER
QTY: 1 right + 1 left



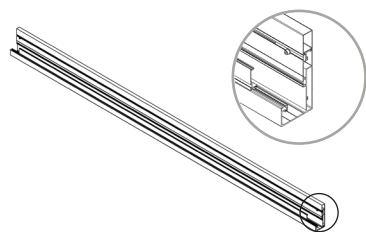
BLADES
QTY: Varies according to length



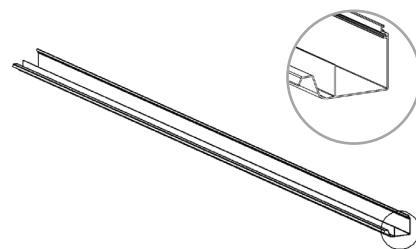
PISTON BLADE
QTY: 2



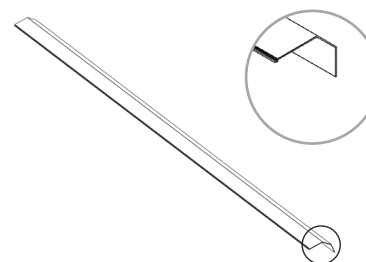
MANEUVERING PROFILE
QTY: 1 right profile + 1 left profile
on the piston side



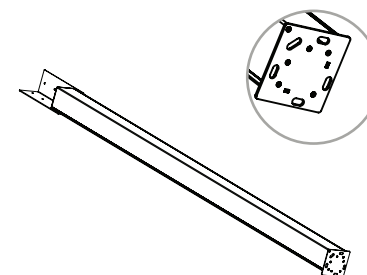
FRONT PROFILE
QTY: 1



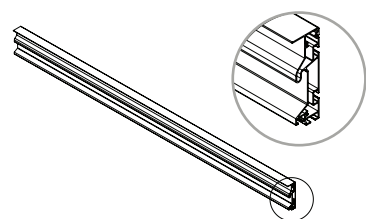
TRAY PROFILE
QTY: 1



TRAY COVER
QTY: 1



POSTS AND COVERS
QTY: 2

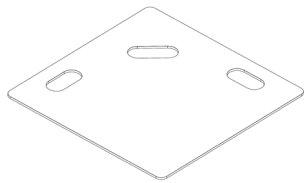


WALL PROFILE
QTY: 1

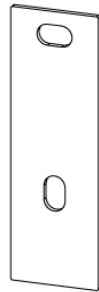
**IN THE BOX
CONTINUED...**



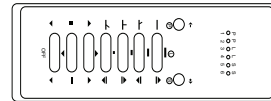
BEFORE BEGINNING THE INSTALLATION, check the content of the packages received. If any element is missing, contact our technical department as soon as possible (do not assemble the structure if any element is defective).



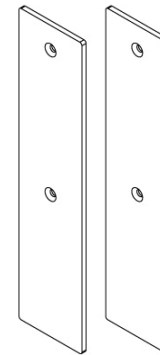
FLOOR ADJUSTMENT SHIMS
QTY: 8 total
(4X 1/4" thick, 4X 3/8" thick)



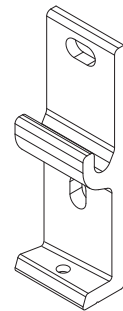
WALL ADJUSTMENT SHIMS
QTY: 8 total
(4X 1/4" thick, 4X 3/8" thick)



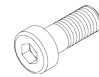


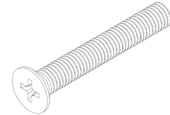

REMOTE CONTROL



WALL ENDCAP
QTY: 2 total



WALL SUPPORTS
QTY: 3 total

HARDWARE					
	LOW SOCKET HEAD SCREW M8X20MM	FLAT HEAD SCREW M8X20MM	ROUND HEAD SCREW M8X12	FLAT HEAD SCREW M5X35	SELF-TAPPING SCREW 10-16 X 3/4"
	QTY: 2 per blade	QTY: 16	QTY: 4	QTY: 4	QTY: 4

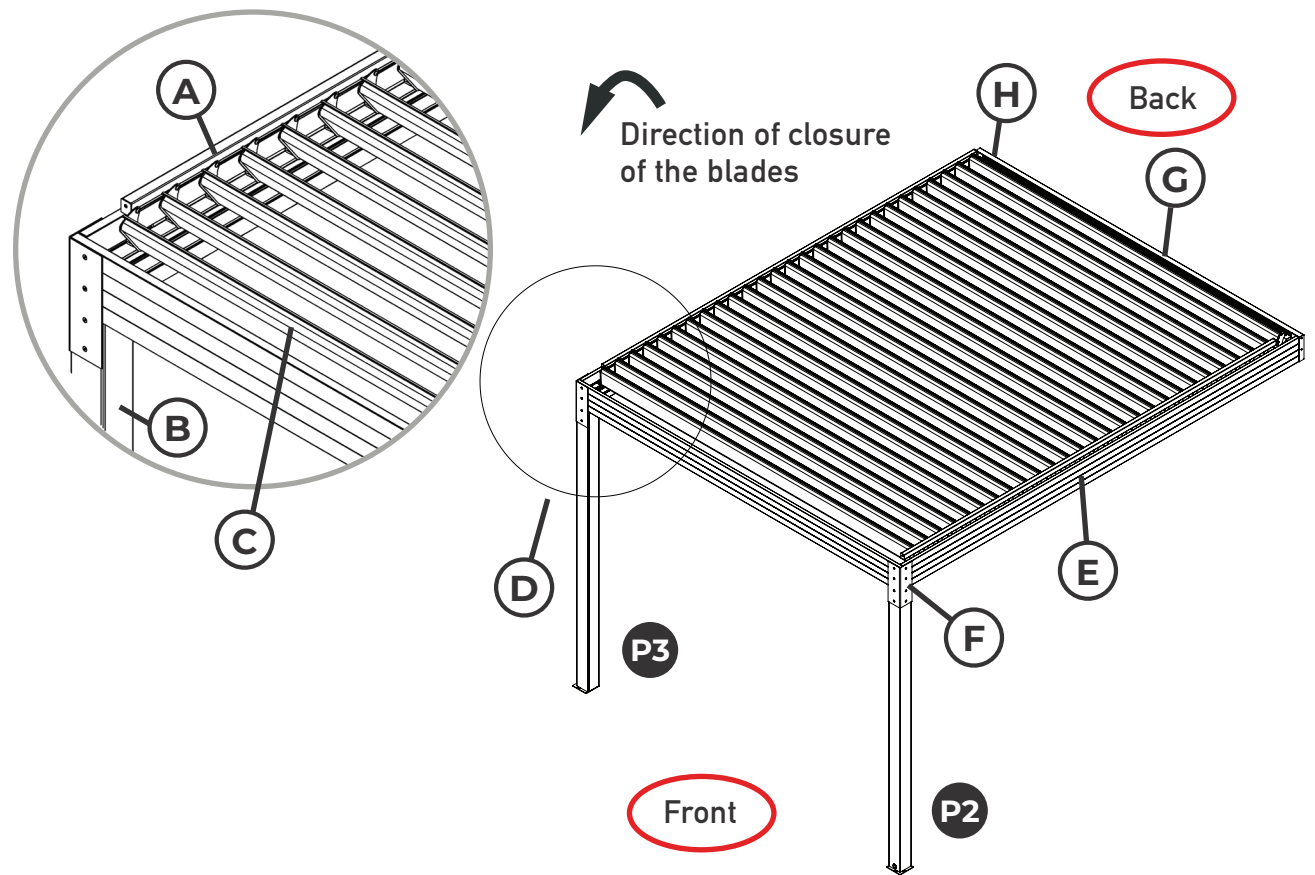
TIPS AND TRICKS

3 RULES

- WORK IN A TEAM OF AT LEAST FOUR PEOPLE TO INSTALL YOUR PERGOLA.
- TAKE THE TIME TO PLAN YOUR INSTALLATION, ONE DAY TO UNBOX AND PLAN, 1-3 DAYS TO INSTALL.
- MAKE SURE THE PERGOLA IS FREE AND CLEAR OF OBSTRUCTIONS ONCE THE BLADES ARE OPEN.

COMPONENTS

- A. Maneuvering profile
- B. Post
- C. Blade
- D. Front profile
- E. Blade support rafter
- F. End cap
- G. Tray and cover profiles
- H. Wall profile



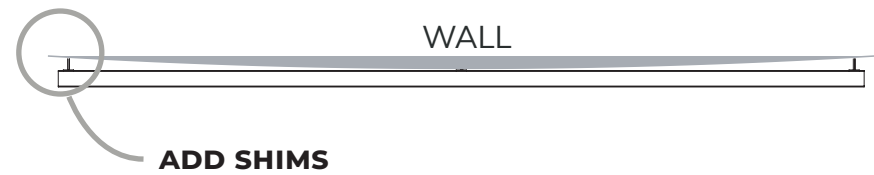
INSTALLATION

1

WALL SUPPORTS INSTALLATION

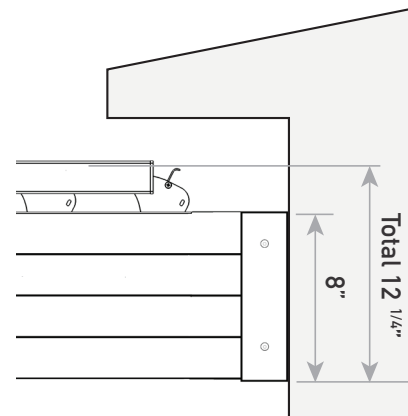
A

Before starting, check to make sure the wall is not bowed. If needed, shim the wall supports.



B

Define the desired height of your pergola. Take into consideration that the pergola needs at least 12 1/4" space for its roof once the blades are open.

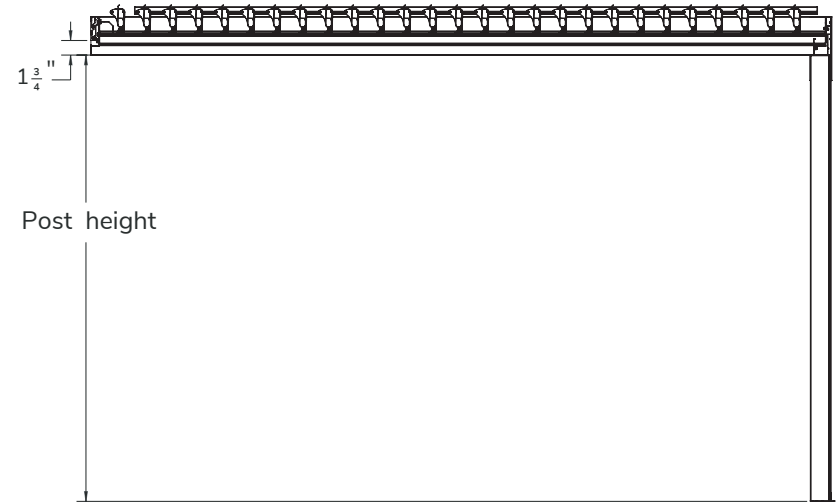


1

WALL SUPPORTS INSTALLATION (CONTINUED...)

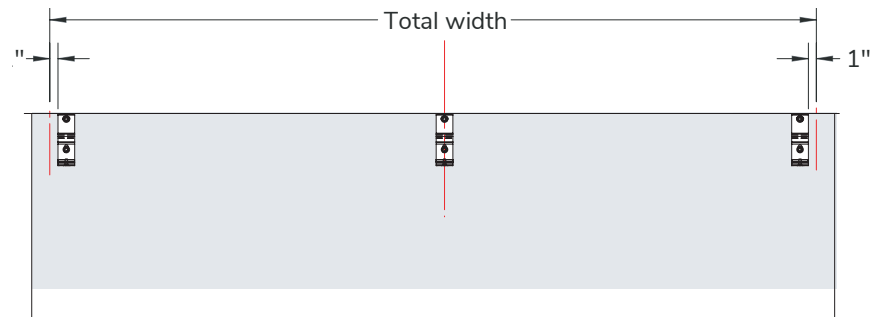
C

Mark the bottom of your bracket
(Post height + 1 3/4" = under the basket)



D

Mesure and mark the total width of your pergola.
Deduct 1" from each side and mark out where your
bracket are to be installed.



1

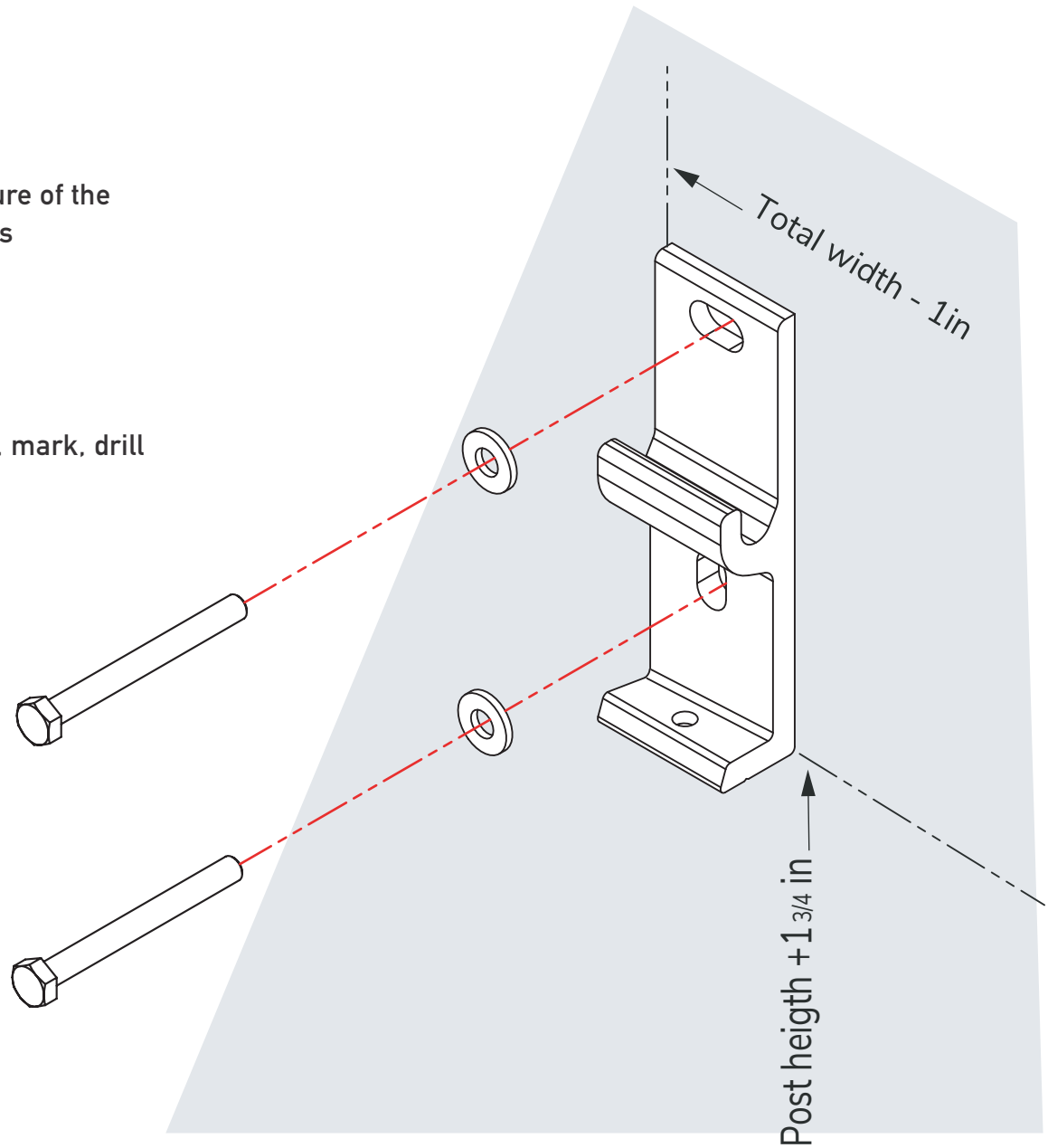
WALL SUPPORT INSTALLATION (CONTINUED...)



Adapt the attachment to the nature of the wall. Attach with 3/8" dia. Screws (not included)

E

Ensuring that your supports are levelled, mark, drill and anchor in place.

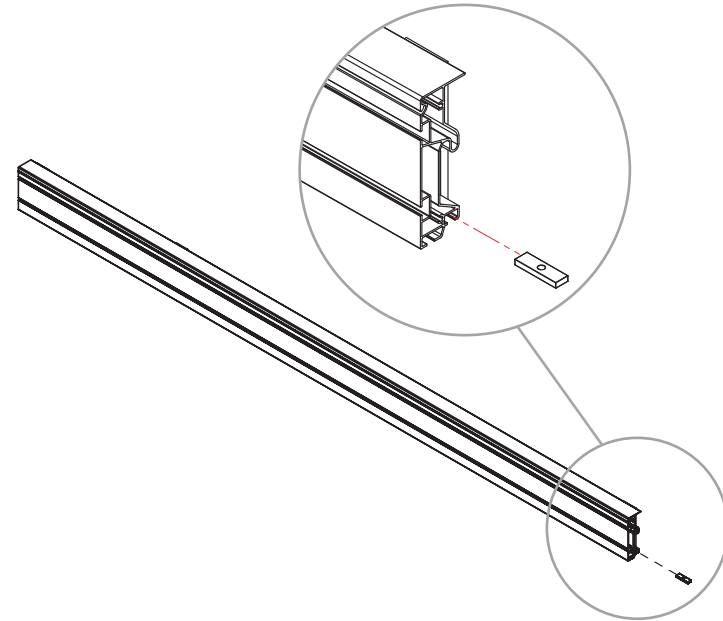


2

WALL PROFIL INSTALLATION

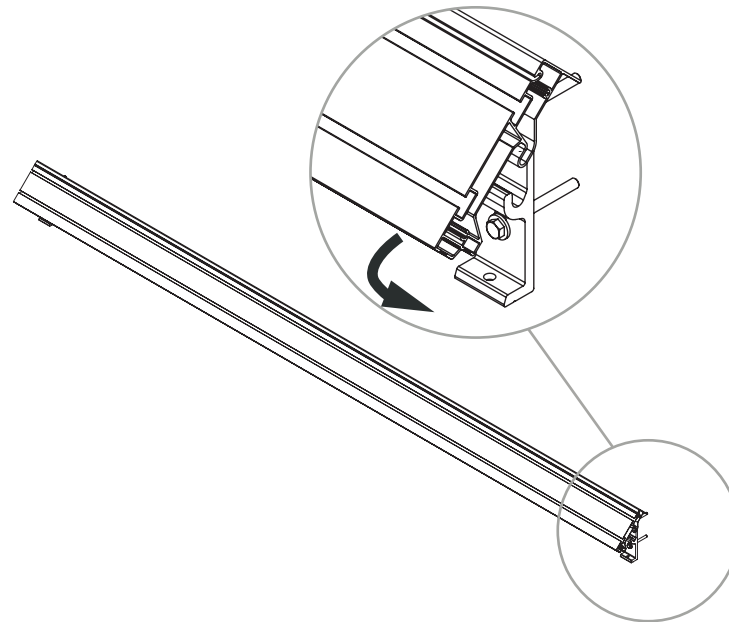
A

Note where the small metal plates are on the wall profile.



B

Hook the wall profile on the supports

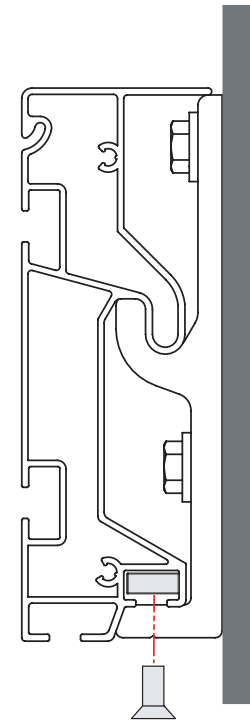
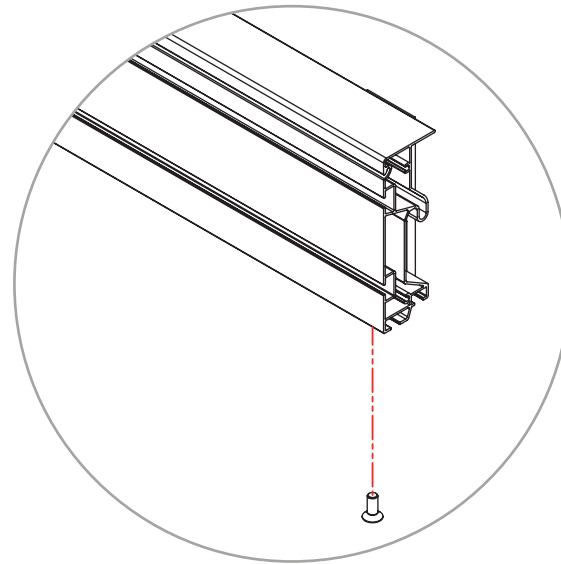


2

WALL PROFIL INSTALLATION (CONTINUED...)

C

Align the metal plate with the bracket. Lock in place with flat head screw M8x20mm

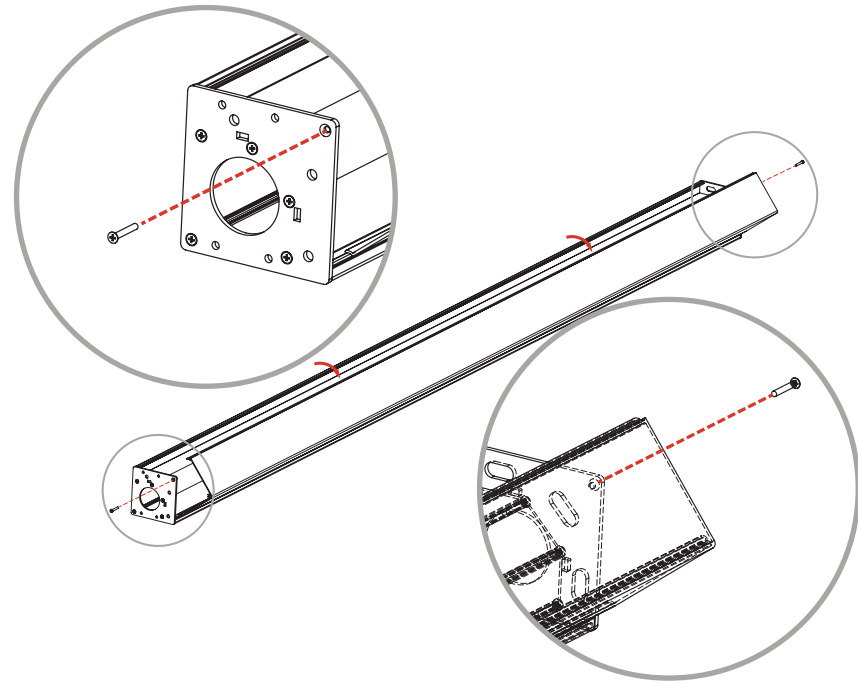


3

BUILDING THE FRONT ARCH

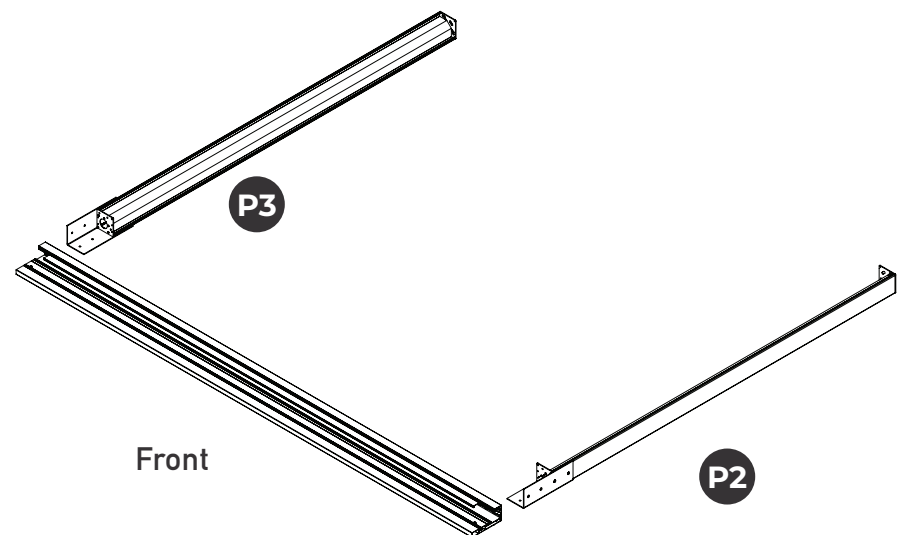
A

Unscrew the corner screw at each end of the post and unclip the post's cover. Put it aside on a cardboard.



B

Place the two front posts and the front profile using the cardboard protection on the ground. Make sure that the inserts on the posts are facing the outside of the pergola.



3

BUILDING THE FRONT ARCH (EXAMPLE WITH RIGHT POST)

C

Apply silicone around the P3 post hole and in the corners.

D

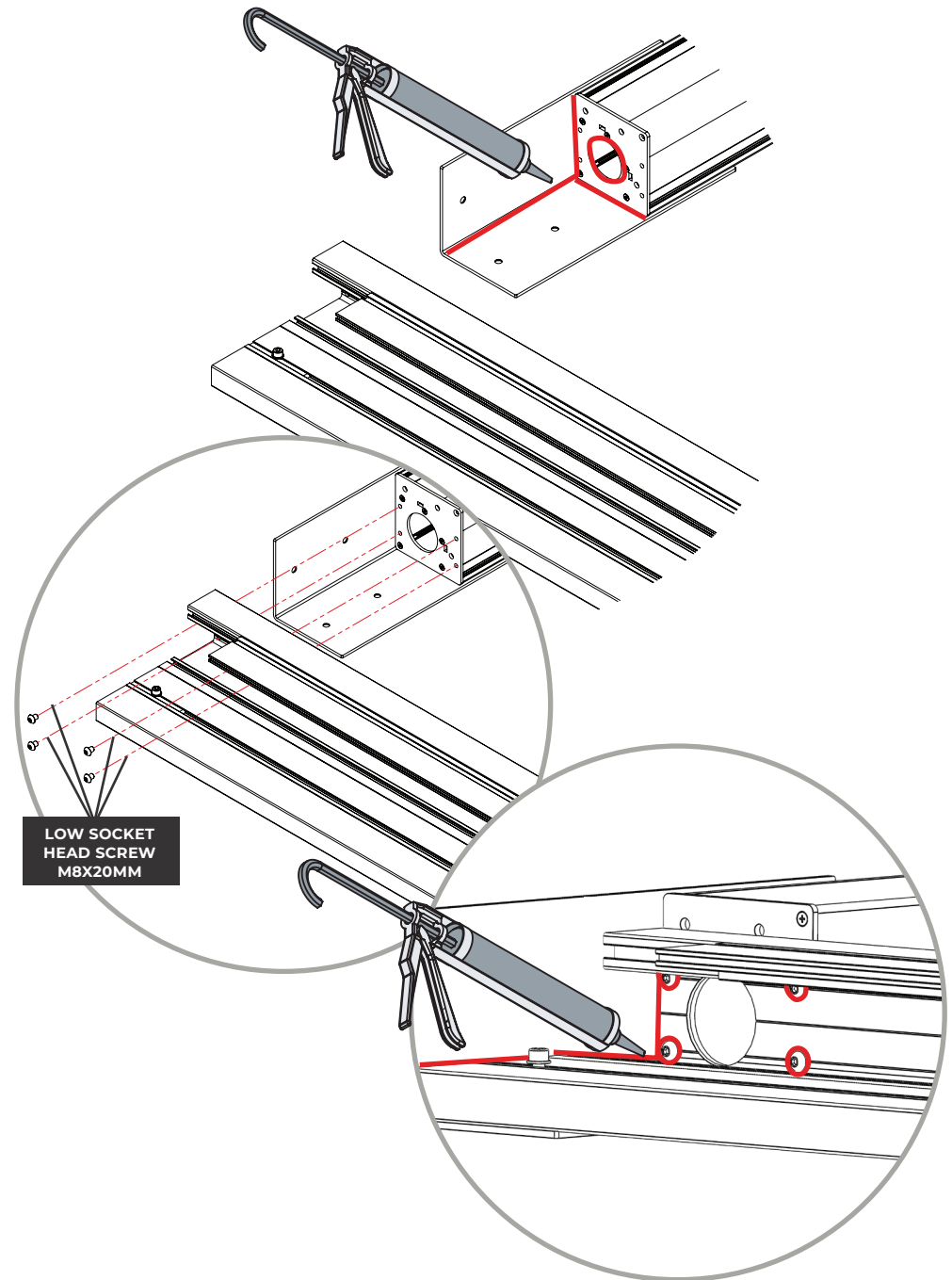
Attach the post to the front profile.

Make sure that the posts are properly attached to the front profile with the 4 M8X20MM screws (low socket head) aligned with the holes of the panel.

E

Apply silicone on the head of the 4 screws and at the junction of the profile and the end cap.

Repeat steps 3A, 3B and 3C with post P2.

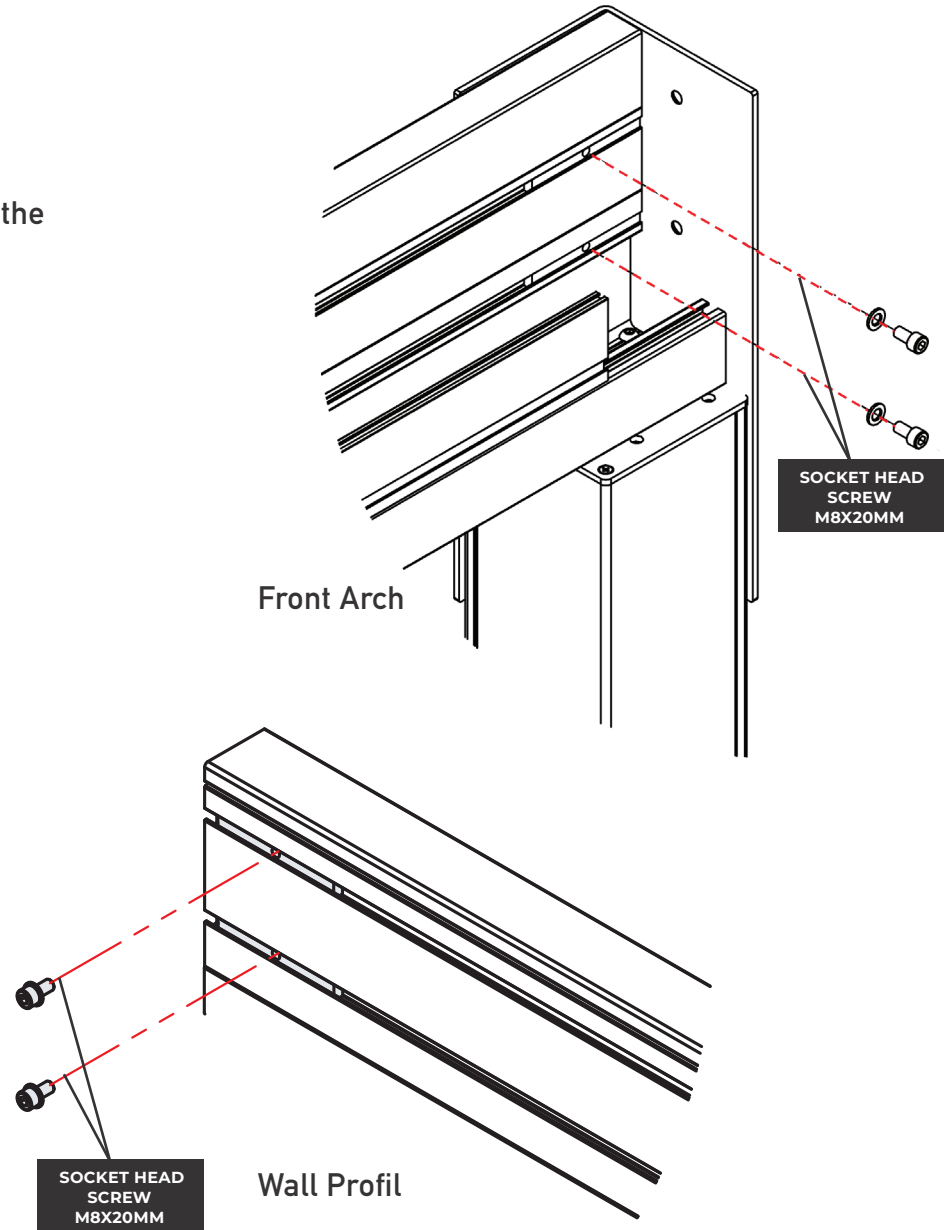


4

PREPARATION OF THE BLADES SUPPORT RAFTERS

A

Remove the screws from the front arch and the wall profil.

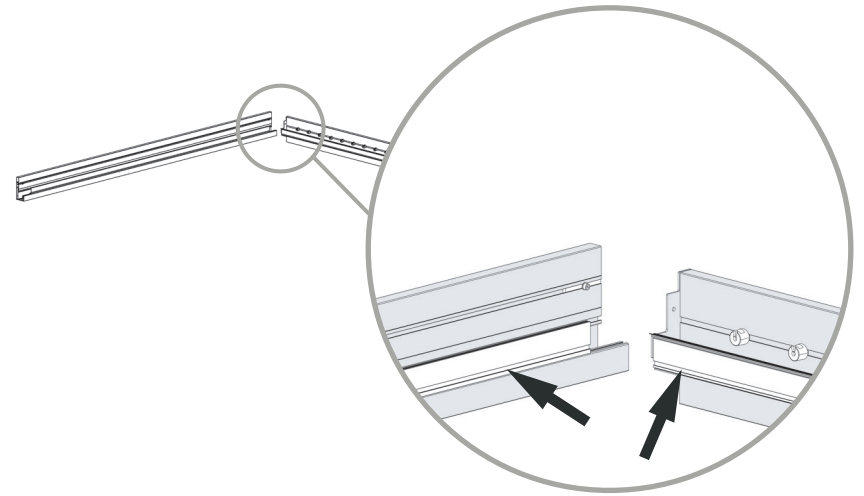


5

LED LIGHT OPTION (IF YOU DO NOT HAVE LED LIGHTS, GO TO STEP 6)

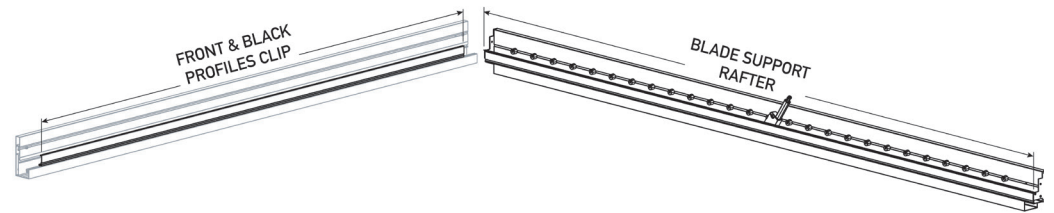
A

Identify the profile on which the lights will be inserted. Make sure the notched side of the profile faces the back of the pergola.



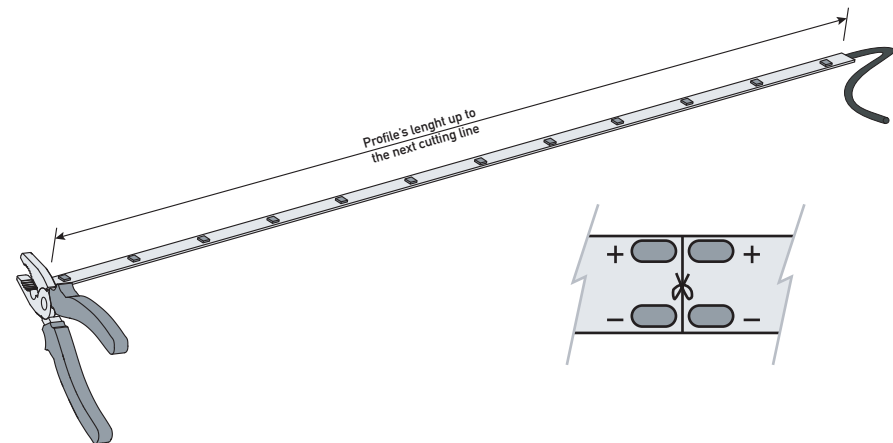
B

Measure the profile on which the LED will be installed.



C

The LED light strip can be cut every 6-3/4". Cut the strip facing the next chisel icon, making sure the LED strip is longer than the profile it will go on.



5

LED LIGHT OPTION (CONTINUED...)

D

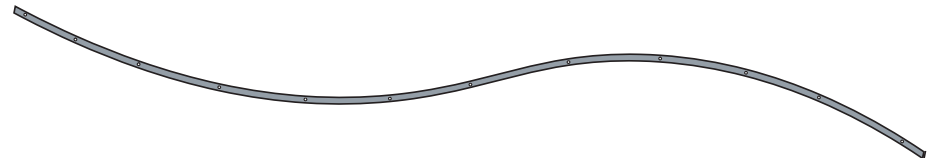
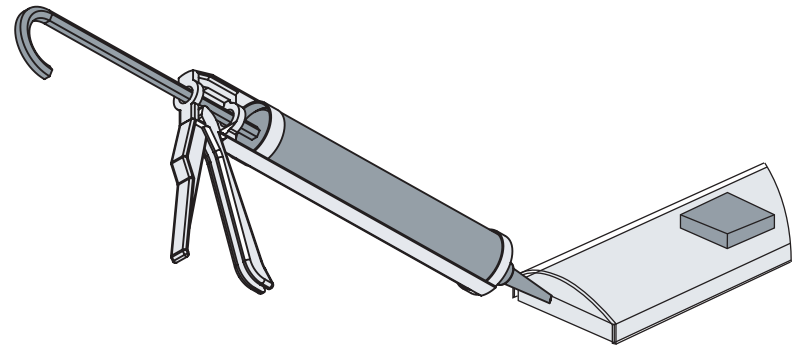
Apply clear silicone to the cut end of the strip to ensure a watertight seal.



When installing your LED strip, always make sure that the electrical input is set towards the back of the pergola.

E

Without removing the backing paper, insert the strip into the profile slot without sliding it. Bring the electrical cord back to the motor tray so your electrician can connect it.

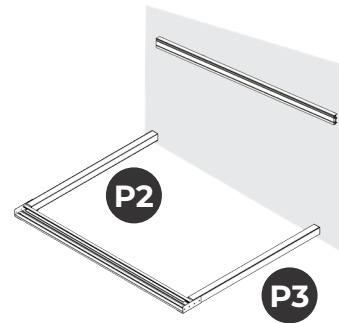


6

FRAME ASSEMBLY

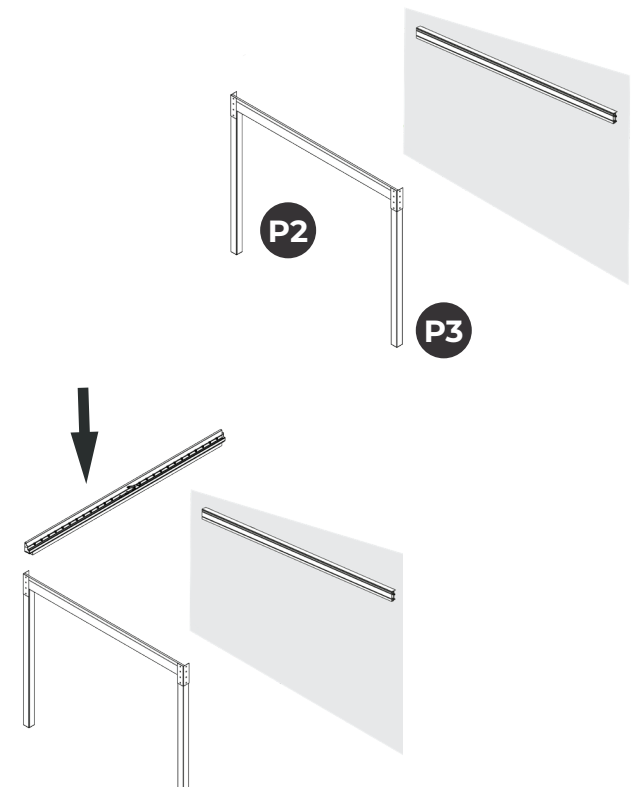
A

Lift the front arch to the vertical position.



B

Place the rafter on the arch, following the color identification of each corner.

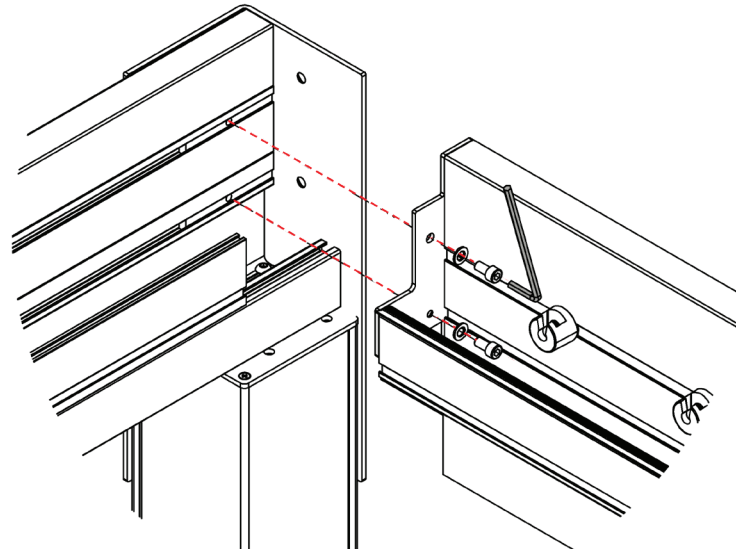


6

FRAME ASSEMBLY (CONTINUED...)

C

Secure the screws previously removed in step 4A, for the front corner.



D

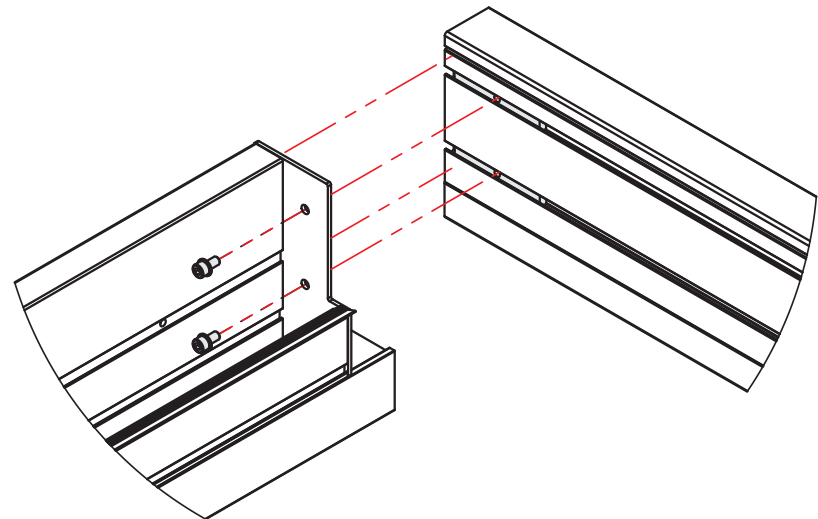
Secure the screws for the wall profil corners.



Make sure that the frames are properly fastened.

E

Secure the screws for the wall profil corners.



6

FRAME ASSEMBLY (CONTINUED...)

F

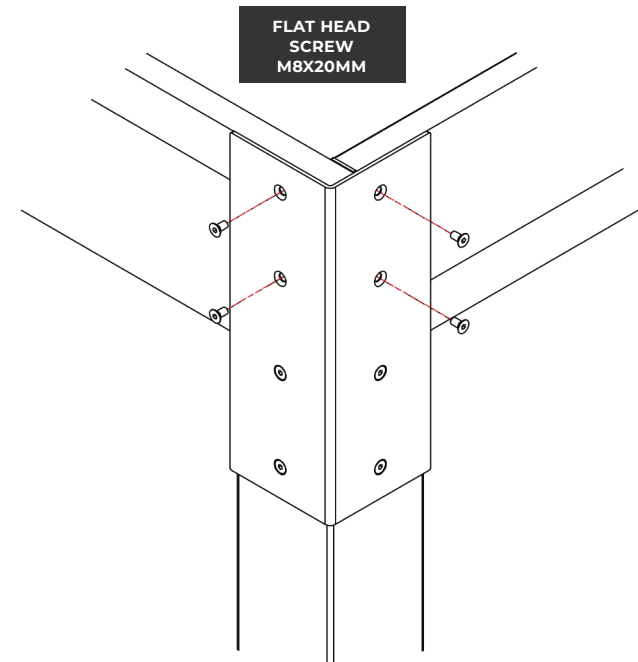
Tighten the end cap with the 4 M8X20MM screws on both front corner of the pergola.



Only if necessary, slightly loosen the 4 bottom screws to help align the holes and inserts.

***CROSSBEAM AND FAN**

If you have a crossbeam and fan option, please follow the steps from the CROSSBEAM AND FAN INSTALLATION GUIDE before continuing to step 6.

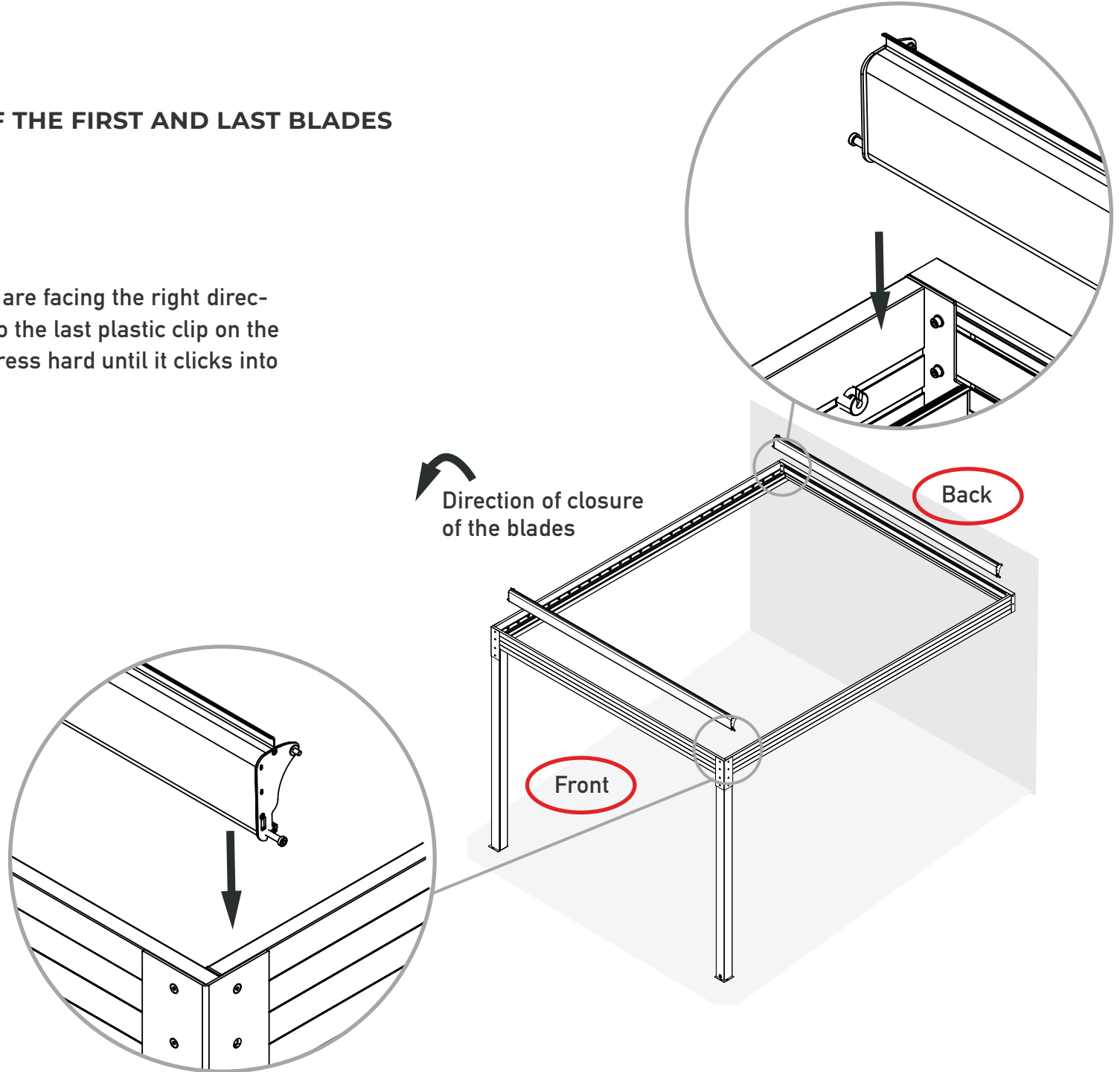


7

INSTALLATION OF THE FIRST AND LAST BLADES

A

Make sure the blades are facing the right direction. Insert the pin into the last plastic clip on the left and right rafter. Press hard until it clicks into place.



8

CHECKING FOR SQUARENESS

A

Before continuing with the assembly of your pergola, make sure that the widths **A** are equal, as well as the lengths **B** and diagonals **C**.

A maximum tolerance of $\frac{1}{4}$ " is allowed between the **C** diagonals for the proper functioning of the pergola.

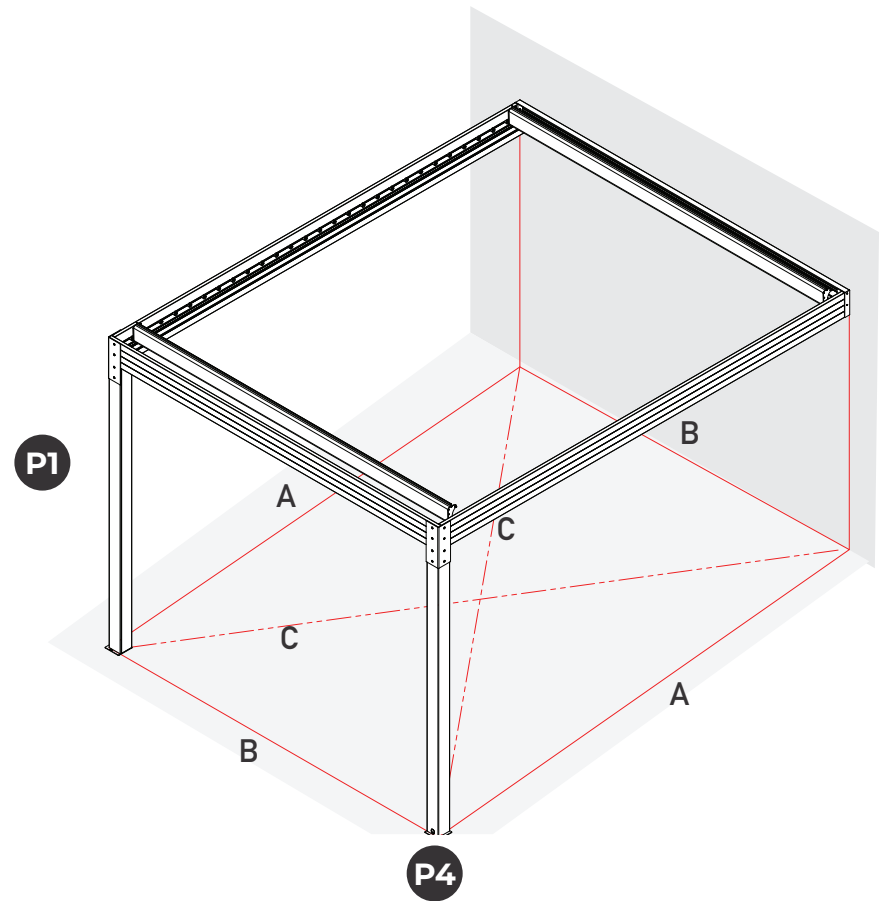
If the diagonals are not equal:

- Move posts **P1** and **P4**.

If you have difficulty moving the posts:

- 1 Slightly loosen the rafter screws.
- 2 Tighten the rafter screws from step 6C.
- 3 Check the squareness again.

When squareness is achieved, check and tighten all screws.



9

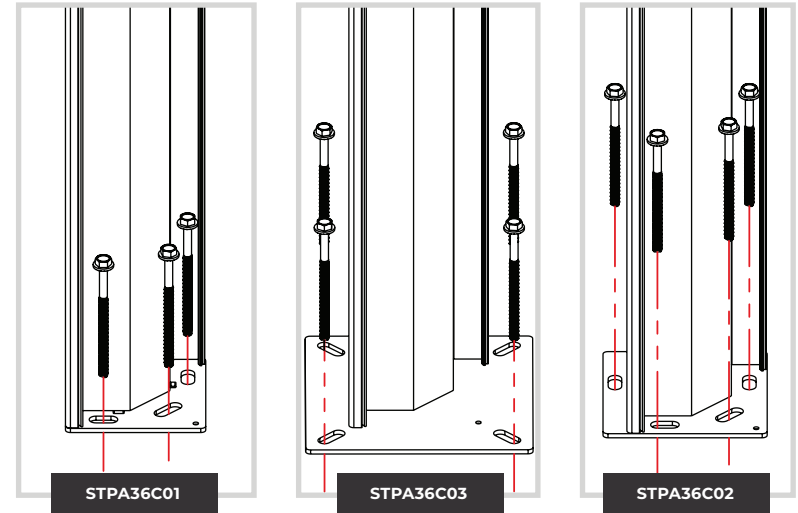
GROUND ANCHORING

A

Attach the appropriate anchors according to the type of bases.

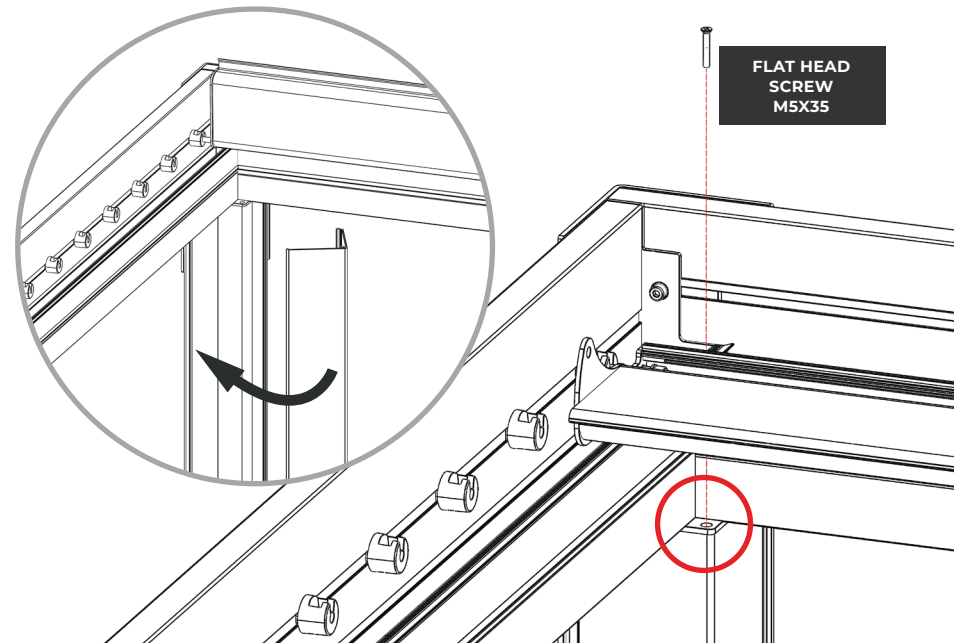
***MOTORIZED SCREEN**

If you have a Motorized screen to install, ensure that you have pass the wire before continuing to step 9B.



B

Close the post by clicking the profile and put the screw in the mounting hole if it is not a wire cover.



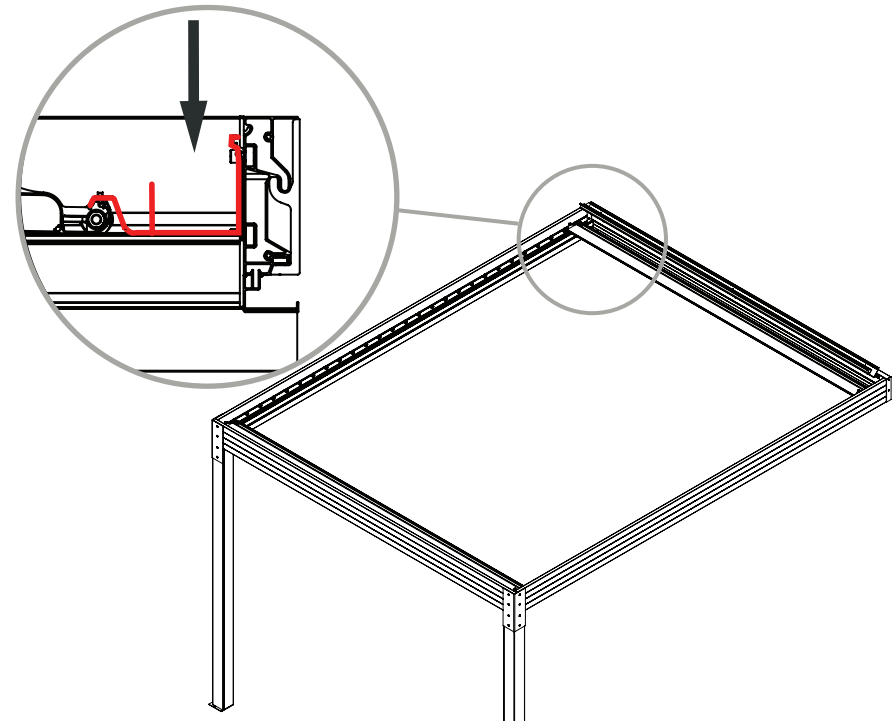
10

TRAY PROFILE INSTALLATION

A

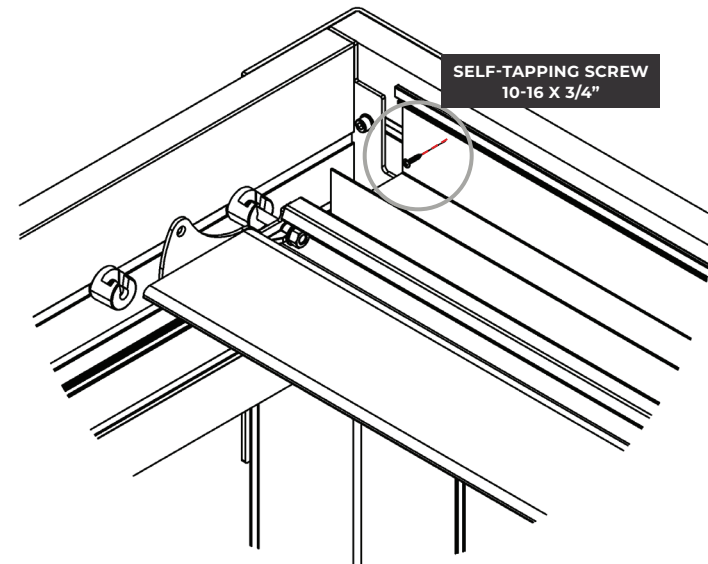
Remove the three screws on the back gutter and save for step 10B.

Position the cover profile. When it is in the right position, it covers the last blade, and the blade can open and close without obstruction.



B

After positioning the tray profile, secure with the screws removed in the previous step.



11

INSTALLATION OF THE PISTON BLADE (X2)

A

Remove the nut and bolt on the piston blade at both ends, keep the parts for attachment in step 10C.

B

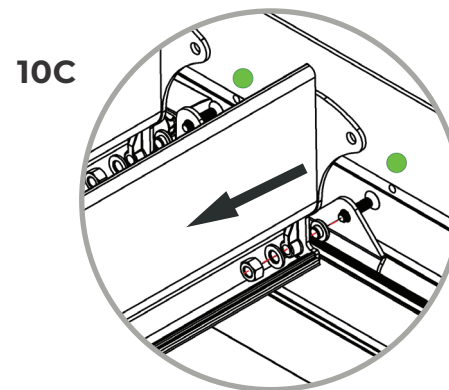
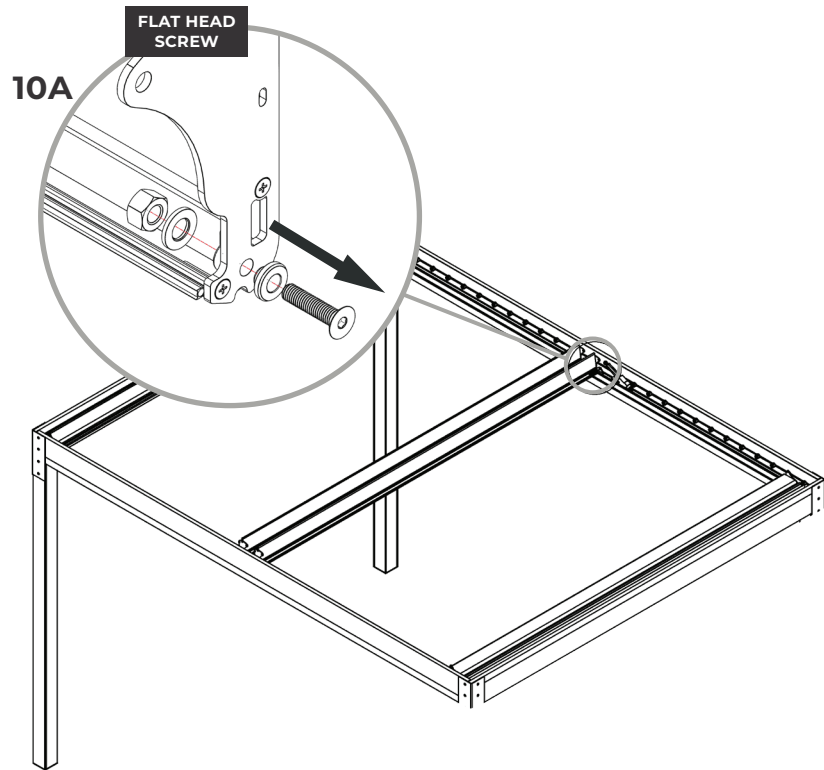
Place the piston blade on the support at the location indicated by the colored dots.

C

With the screws removed at step A, fix the piston blades on the support at both ends.

D

Return the blade to the closed position.

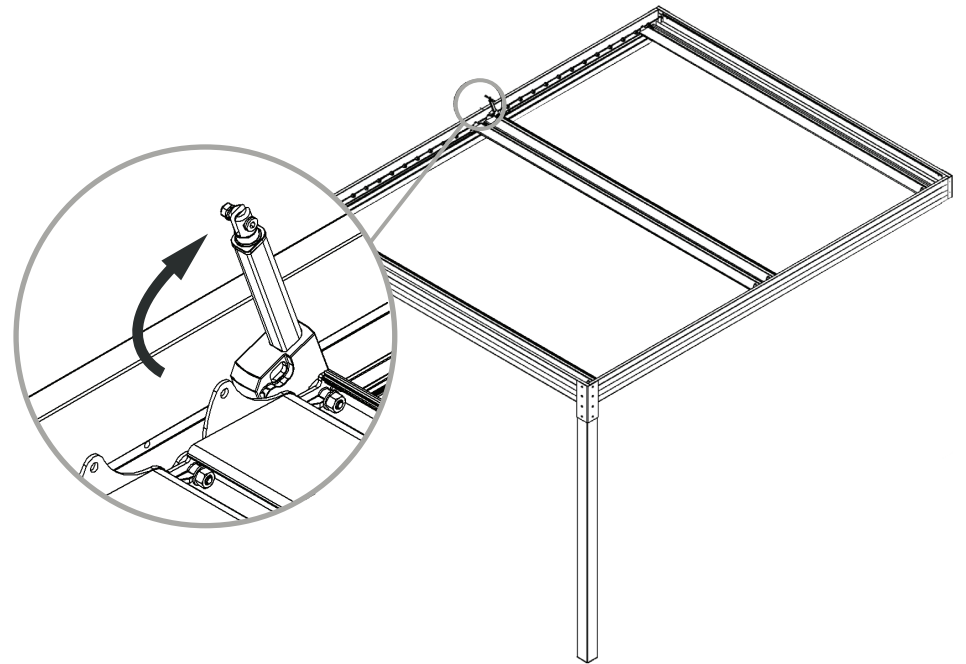


12

MANEUVERING PROFILES INSTALLATION

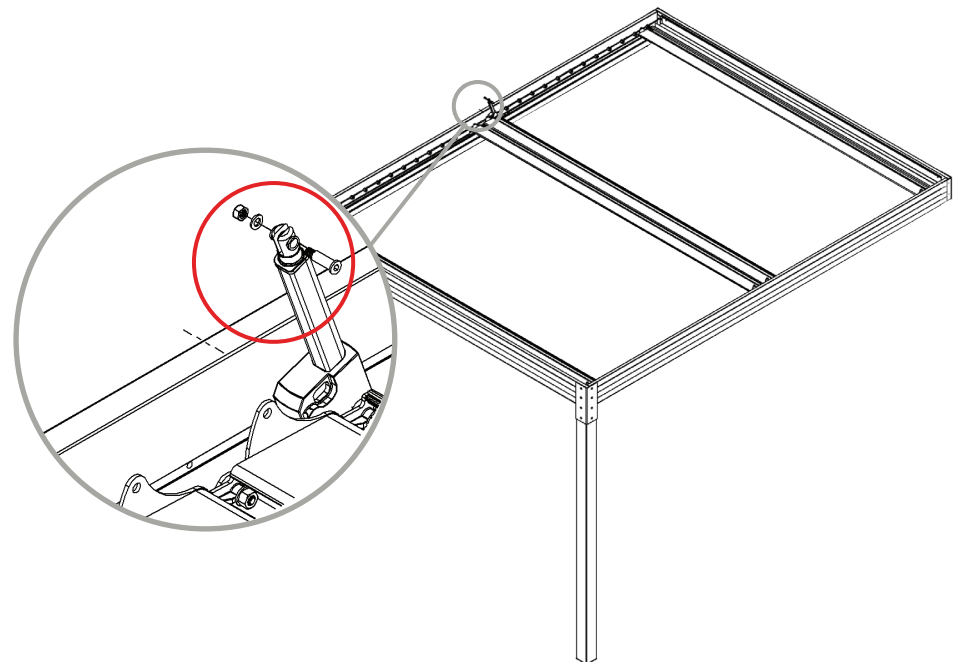
A

Manually raise the pistons, in order to obtain clearance allowing access to screws.



B

Prepare the piston by removing the nut and bolt on the piston end.



12

MANEUVERING PROFILES INSTALLATION (CONTINUED...)

C

Fix the maneuver profile on the piston with the hardware removed in step 12 B on the hook of the maneuver profile. Make sure that the holes in the maneuver profile are towards the blades and that the color identification on the maneuvering profile corresponds with the one of the pergola.

D

Manually bring the piston and the maneuvering profile down to the initial position, the blades should be in the closed position.

E

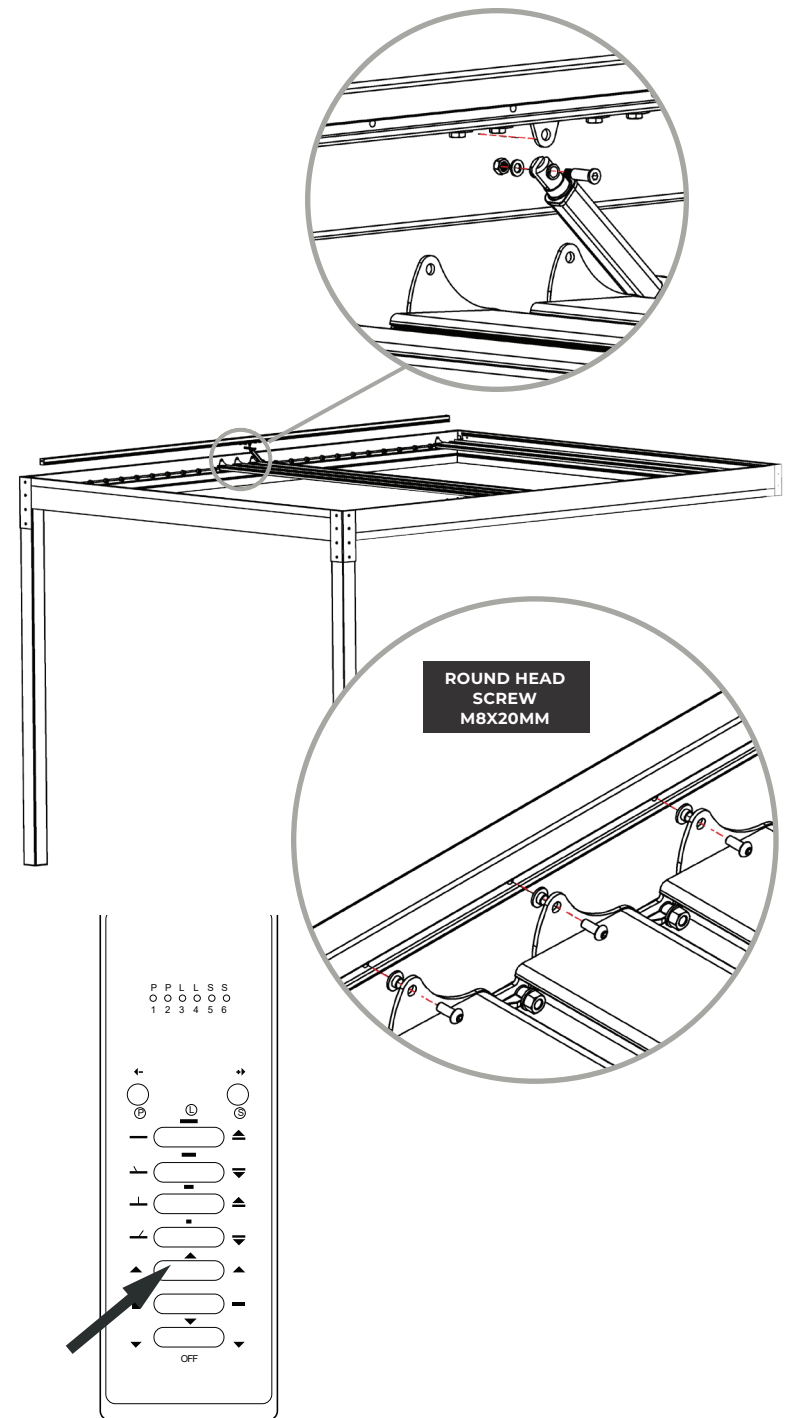
Fix the four blades to the maneuvering profile with the M8X20MM screws.



Do not overtighten screws. Do not use impact tools.

F

Supply power to the control unit in order to operate the piston.
Bring the pergola to the open position by pressing on the UP button of the remote.
i.e. the blades at 110 degrees from the closed position.



13

INSTALLATION OF THE REST OF THE BLADES

A

Install all remaining blades in a vertical position. Insert the pivots on each end into the plastic clips on the blade support rafters. Press hard until it clicks into place.

B

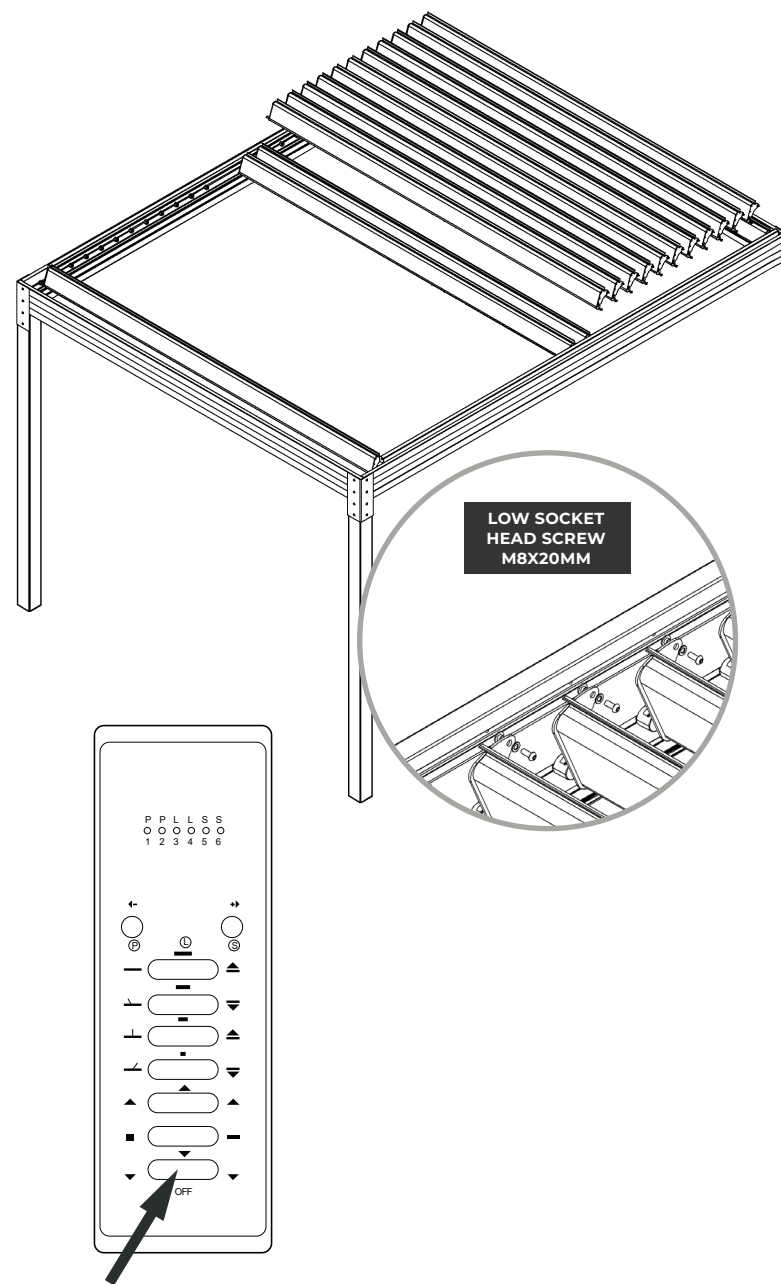
Fix the blades to the maneuvering profile with the M8X20MM screws and assuring that the plastic washer is clipped in the blade.

C

Repeat the step 13B with the second maneuvering profile on the other side.

D

Close the blades by pressing on the remote's lower button

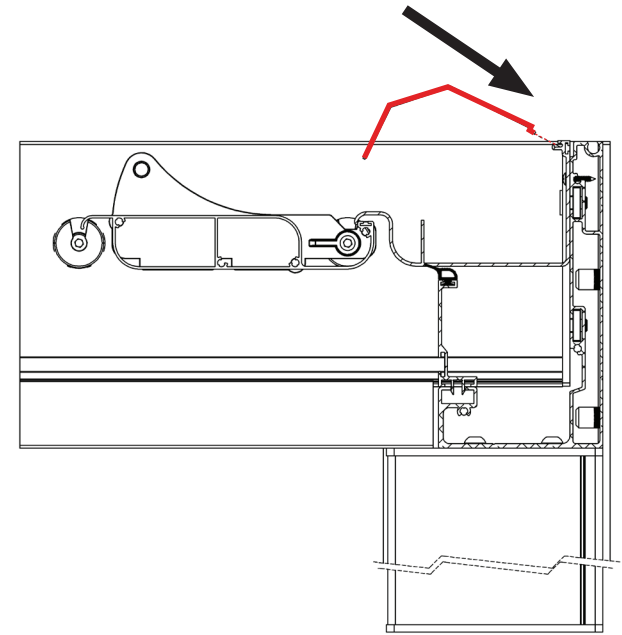


14

TRAY COVER INSTALLATION

A

Insert the cover in the groove of the tray profile.

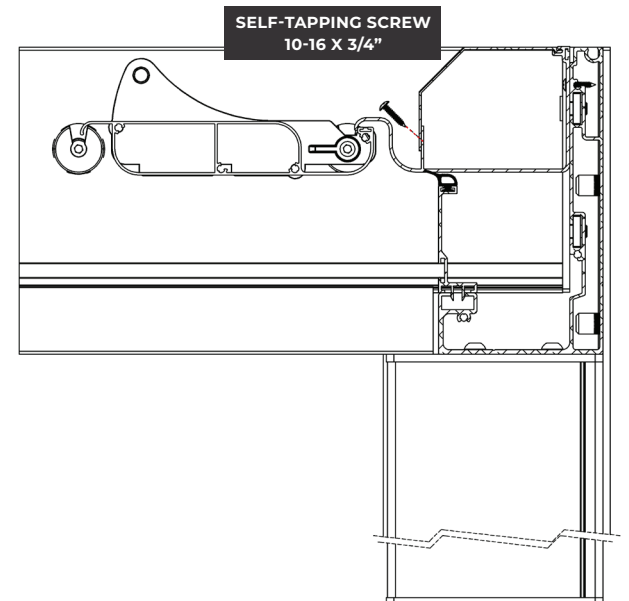


B

Secure the cover and the tray profile together with two self-tapping screws at each end.



Check and tighten all fasteners. Do this periodically.



15

YOU CAN NOW USE YOUR PERGOLA!

ELECTRICAL REQUIREMENTS

The wire lengths are suggested, taking into account that the feed is made from the bottom of a post.

- Pergola motor 2.3 amps / unit = 1 wire 14/2 NMWU - 15 amps. No wire supplied.
- LED light 1.7 amps per unit = 1 wire 14/2 NMWU - 15 amps. No wire supplied.
- The pergola circuit and the LEDs can be grouped on the same circuit.
- The circuit must be powered without a switch on the circuit.

NOTE: The electrician will determine how many systems will be connected to the same circuit.

The wire lengths listed are from the bottom post of the pergola. The customer must make sure to have an adequate length to allow the connection to an electrical source (electrical panel / junction box).

The electrician is responsible for making the final connections following your installation including waterproof boxes and fittings.

TERRA SUMMER does not supply wires or junction boxes and is not responsible for the cost of electrical connections or the sealing of the electrical system. All connections must be made by a licensed electrician.

FAQS

- 1 - Poor water drainage. Water stagnating in the blades support rafters:
 - Check that the structure is not leveled. Remove all the blades from the structure and level the structure.
- 2 - Water running down the posts:
 - Poor waterproofing at the level of the finishing caps of the front gutters.
Check or make a seal between the finishing caps of the front gutters.
- 3 - Water leakage at the level of the blades:
 - Bad closing of the blades. Redo the preparation of the piston and the configuration of the working time.
Closed blades, loosen the maneuvering profile hook, put the piston in position zero (closed), tighten the BS04204 and redo the configuration of the working time.
- 4 - The blades do not open:
 - Make sure the piston are powered up.
 - Check the electrical connections. Be careful to turn off the power in case of handling.
 - Redo the programming of the working time.
 - Check the squareness of the structure.
 - Check the assembly of the maneuvering profiles.
- 5 - The piston screw is blocked by the frame:
 - Check the assembly of the maneuvering profiles.
- 6 - During the assembly of the frame, the arches are not leveled:
 - Perpendicularity problem. Shim or cut posts to be leveled.
- 7 - A gap appears between the tray profile and the first blade:
 - This is a normal phenomenon due to the bending of the first blade. This phenomenon does not cause any leakage.
- 8 - Condensation under the blades:
 - Phenomenon due to a significant change in outside temperature. This natural phenomenon does not affect the quality of the bioclimatic pergola.

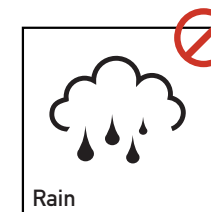
MAINTENANCE TIPS FOR THE LOUVERED PERGOLA

A louvered pergola is subject to many constraints: humidity, salt air, weight constraints, wind, etc.

We therefore recommend:

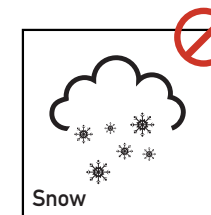
- Check the tightness of the screws after installation, then regularly: at the beginning and end of the season.
- Clean the frame at the beginning and end of the season. Be careful not to use any detergent.
- Do not hang anything on the product's frame. It could fall and cause property damage and/or personal injury.
- Make sure that the blades are clean before opening and closing them.
- Make sure that no foreign object can damage the structure when opening or closing the blades.
- Never put your hands or any part of your body between the blades, or between the blades and the frame of the product, when operating the blades.
- Do not install a barbecue under the product and do not light a fire near it.

DO NOT OPEN YOUR
PERGOLA IN CASE OF:

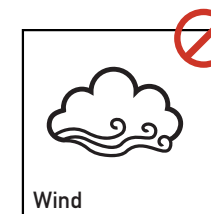


Waterproof product
in case of rain.

OPEN YOUR PERGOLA
IN CASE OF:



If it snows while you are away,
remove as much snow as possible
before opening the blades.



Open the blades of the pergola
when it is windy.

TERRA SUMMER

1-800-515-6652

info@terrasummer.com

terrasummer.com