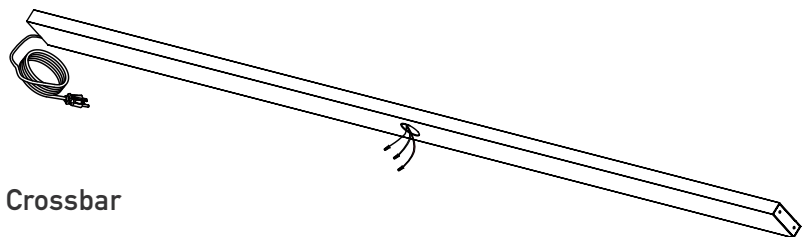


TERRA SUMMER

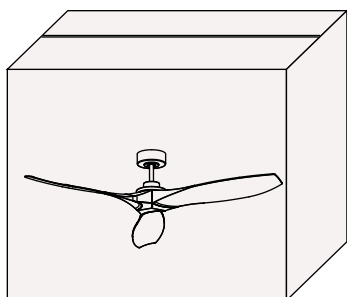
CONTENT

IN THE BOX / NEEDED TOOLS / TIP AND TRICK	03
INSTALLATION	
1 - PREPARATION	04
2 - CROSSBAR INSTALLATION	06
3 - ASSEMBLING THE FAN	10
4 - REMOVING THE DOWNROD	14
5 - ASSEMBLING THE CANOPY	16
6 - MOUNTING FAN ON BRACKET	19
7 - FAN CONNECTION TO THE CROSSBAR	20
8 - MOUNTING FAN ON PERGOLA	21
9 - CROSSBAR CONNECTION TO THE PERGOLA	24
10 - SEALING ELECTRIC WIRES	25

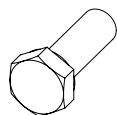
IN THE BOX



Crossbar



Fan box



M10 screws
QTY= 4

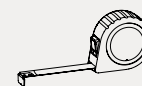
TIP & TRICK

WORK IN TEAM OF 2 PEOPLE TO INSTALL
THE FAN AND CROSSBAR.

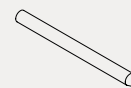
NEEDED TOOLS



Screwdrivers
Phillips & hexagonal



Measuring tape



Pencil



Crescent Wrench



Stepladder (2x)

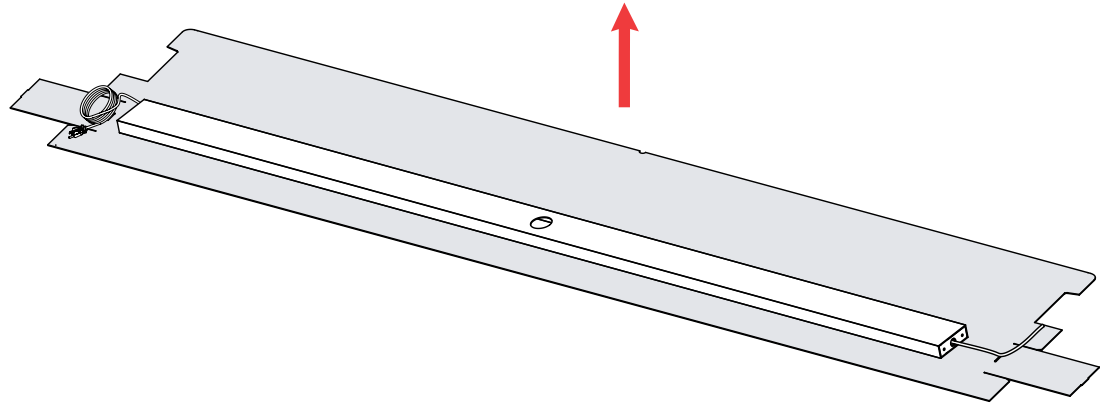
INSTALLATION

1

PREPARATION

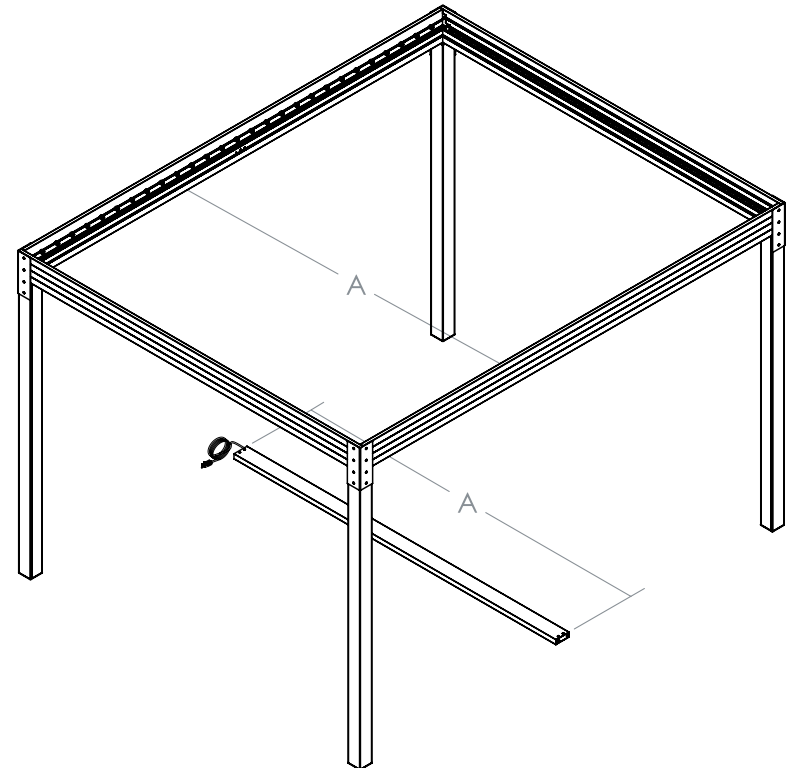
A

Open the central crossbar box and use it as ground protection.



B

Make sure that the measurements of the central crossbar match the distance between the 2 side beams of the previously mounted pergola.



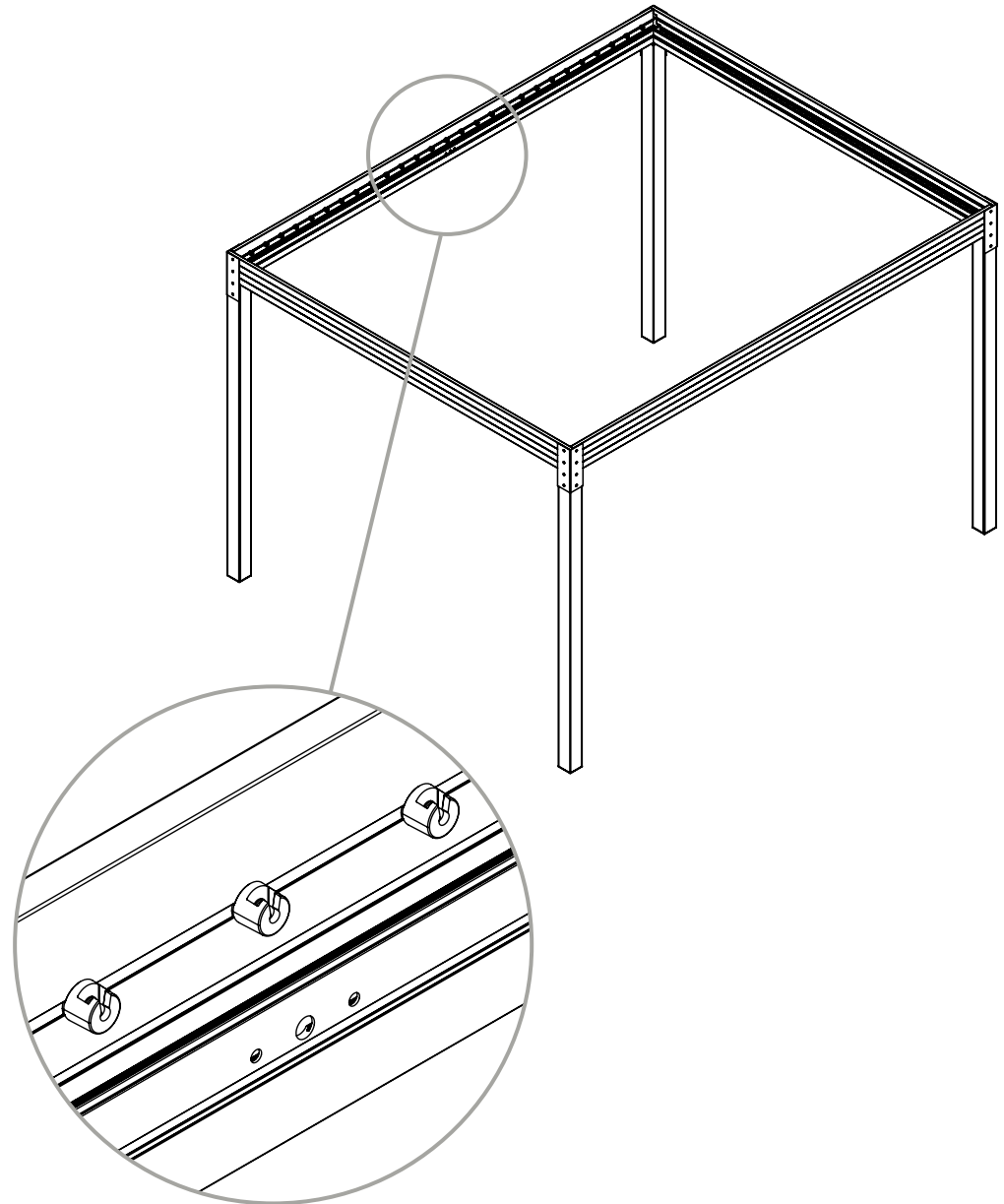
1

PREPARATION ... CONTINUED

C

Identify the side of the pergola that has 3 holes on the side beam.

This side will receive the power wire for the fan coming out of the central crossbar.

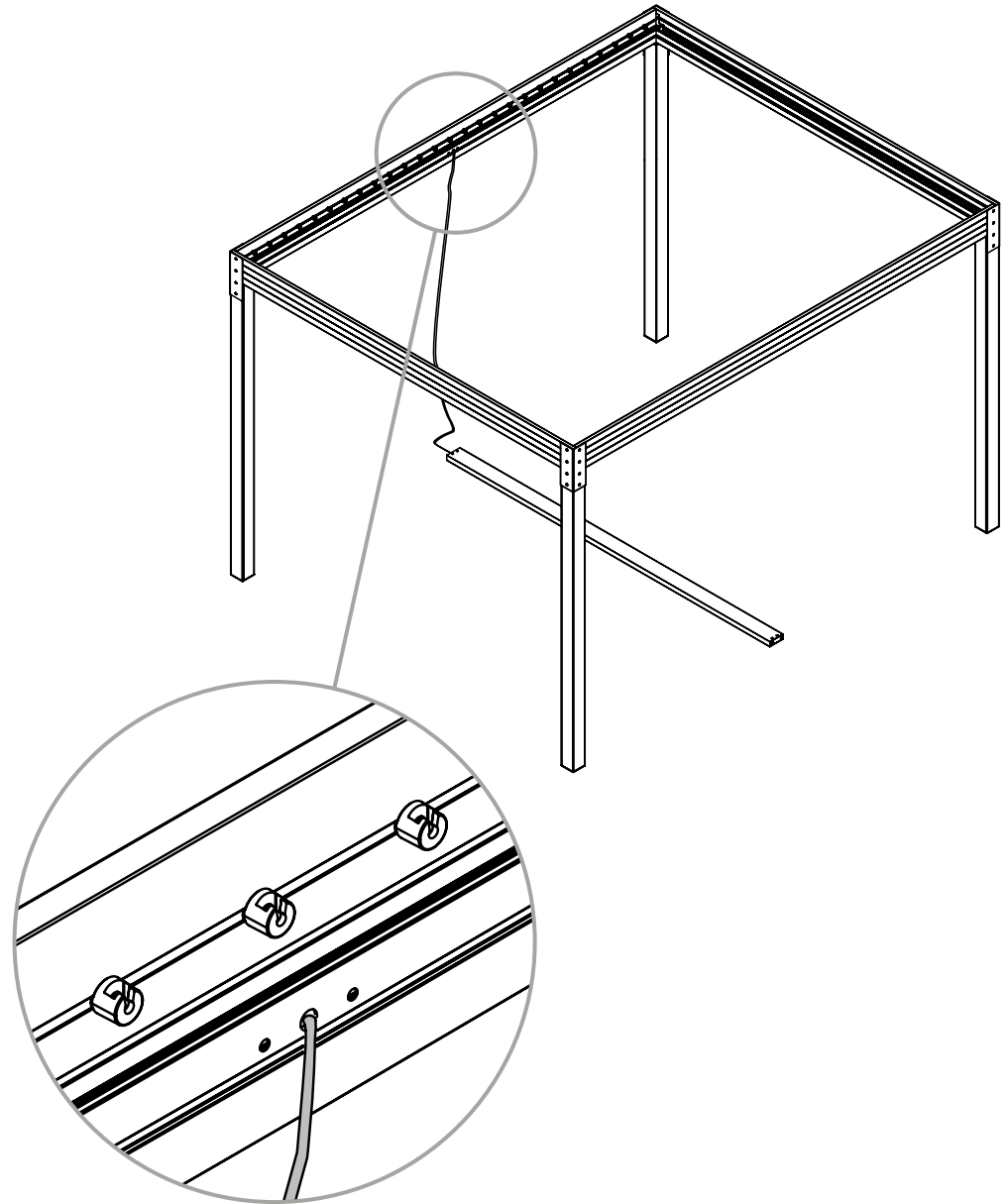


2

CROSSBAR INSTALLATION

A

Insert the fan power wire into the central hole of this side beam.

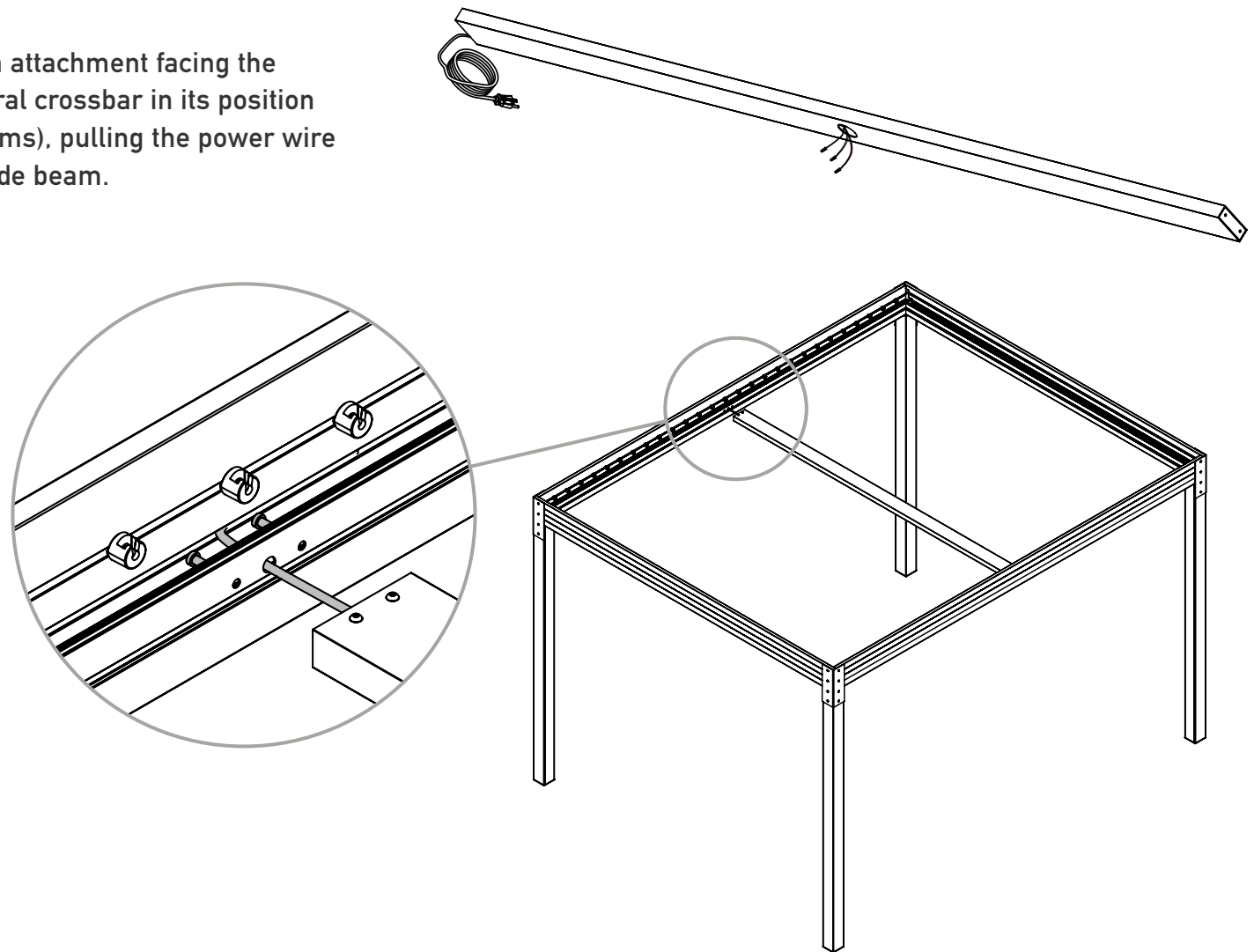


2

CROSSBAR INSTALLATION ... CONTINUED

B

With the hole for the fan attachment facing the ground, mount the central crossbar in its position (between the 2 side beams), pulling the power wire all the way inside the side beam.



2

CROSSBAR INSTALLATION ... CONTINUED

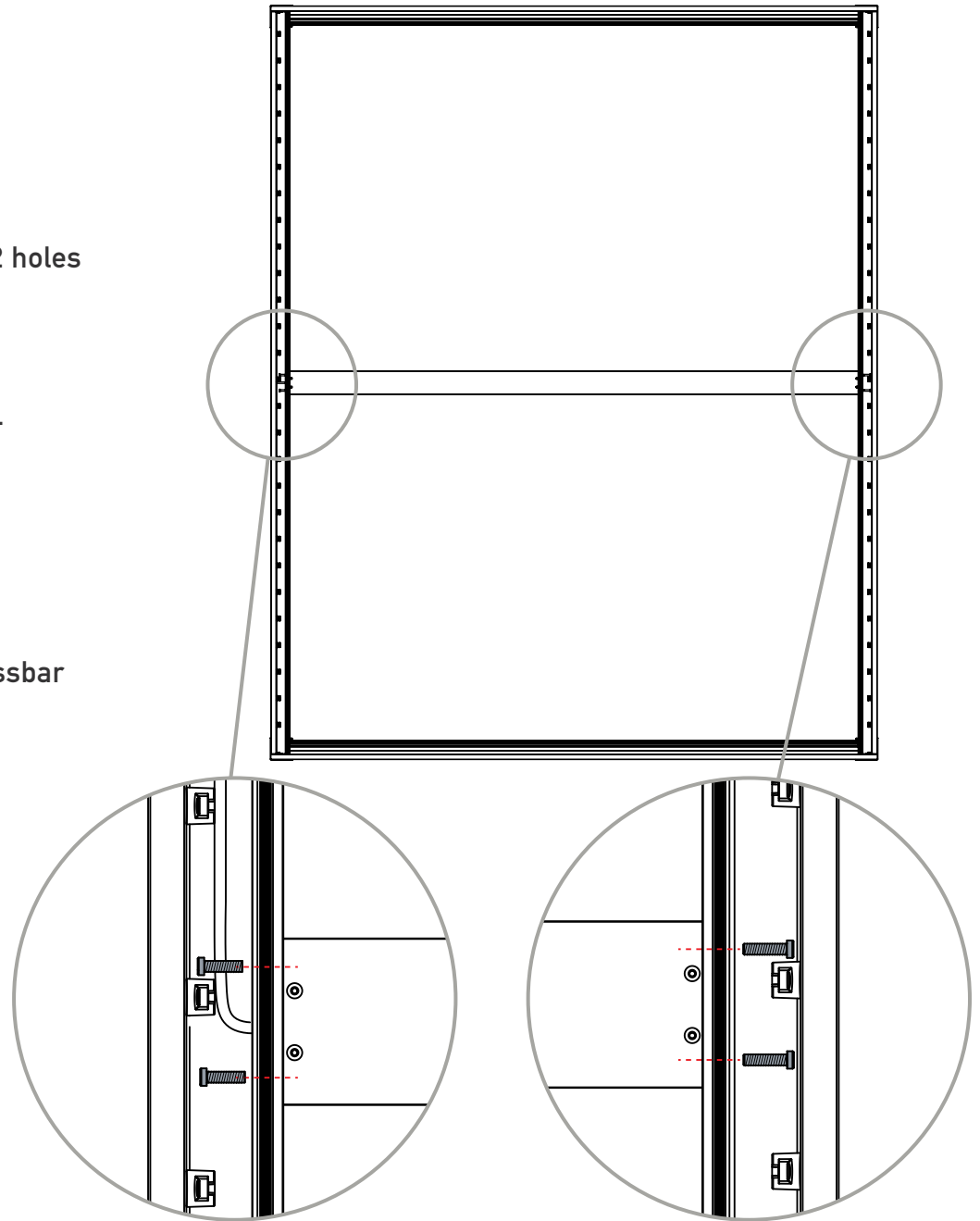
C

On the power supply side of the crossbar, align the 2 holes on this end with the 2 holes on the side beam.

Attach the side beam to the central crossbar with the M10 screws provided using the crescent wrench.

D

Repeat Step 2C with the other end of the central crossbar with no power supply.

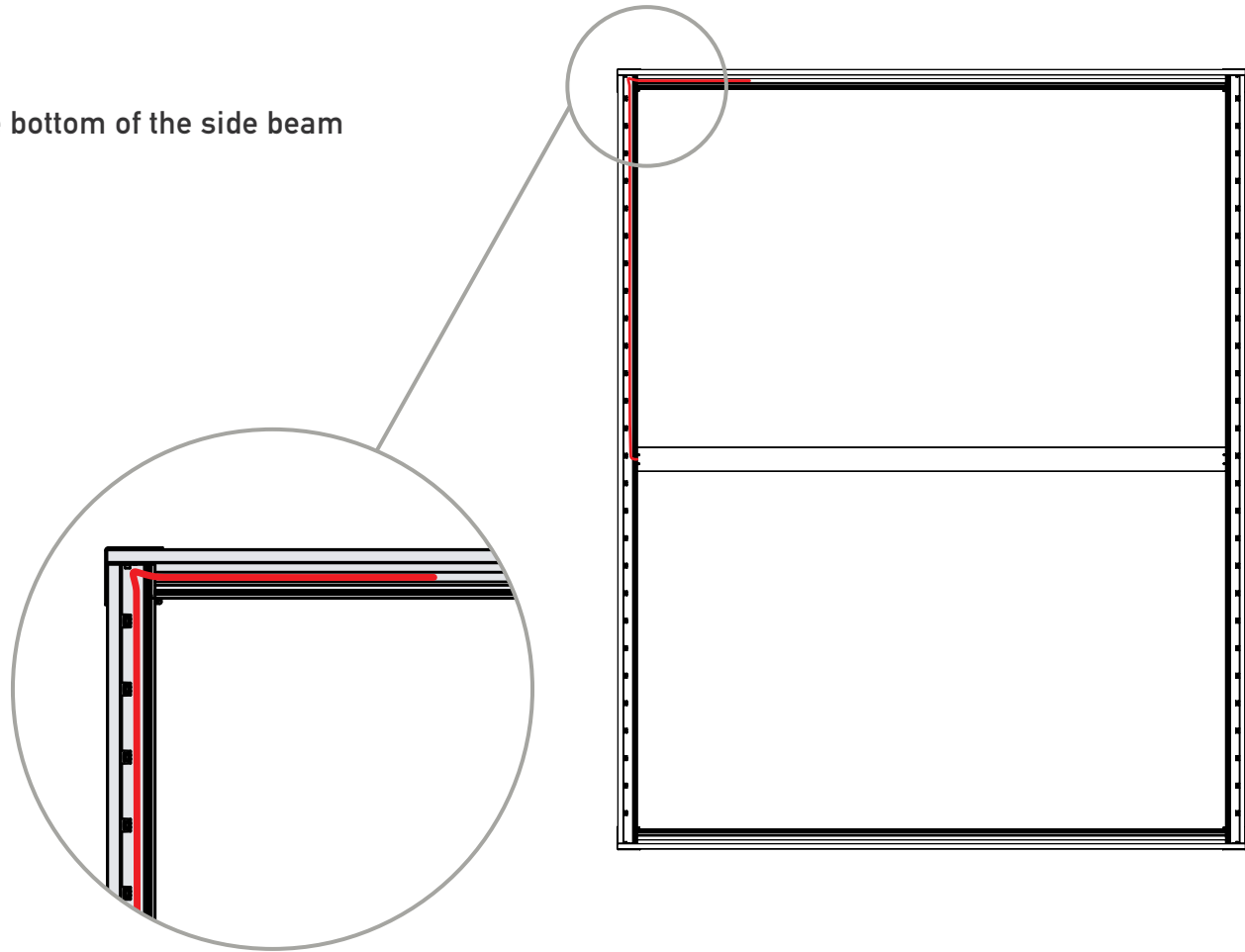


2

CROSSBAR INSTALLATION ... CONTINUED

E

Run the power wire along the bottom of the side beam into the rear tray profile.



3

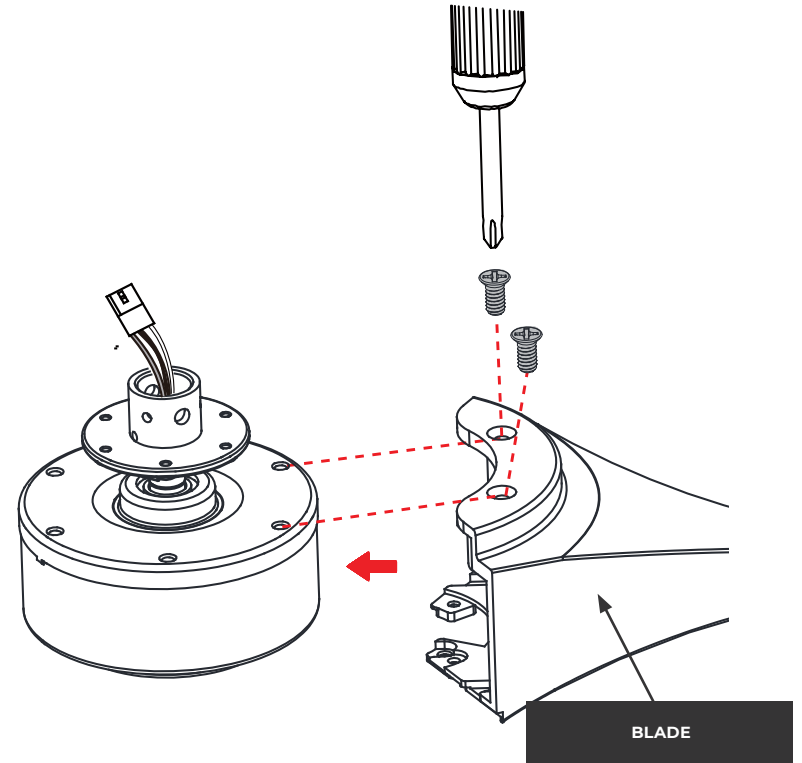
ASSEMBLING THE FAN

A

Place motor assembly on a suitable area for blades installation.

B

Aligning the holes on the blade with the screw holes on motor, install the set screws provided. Repeat for the remaining blades.

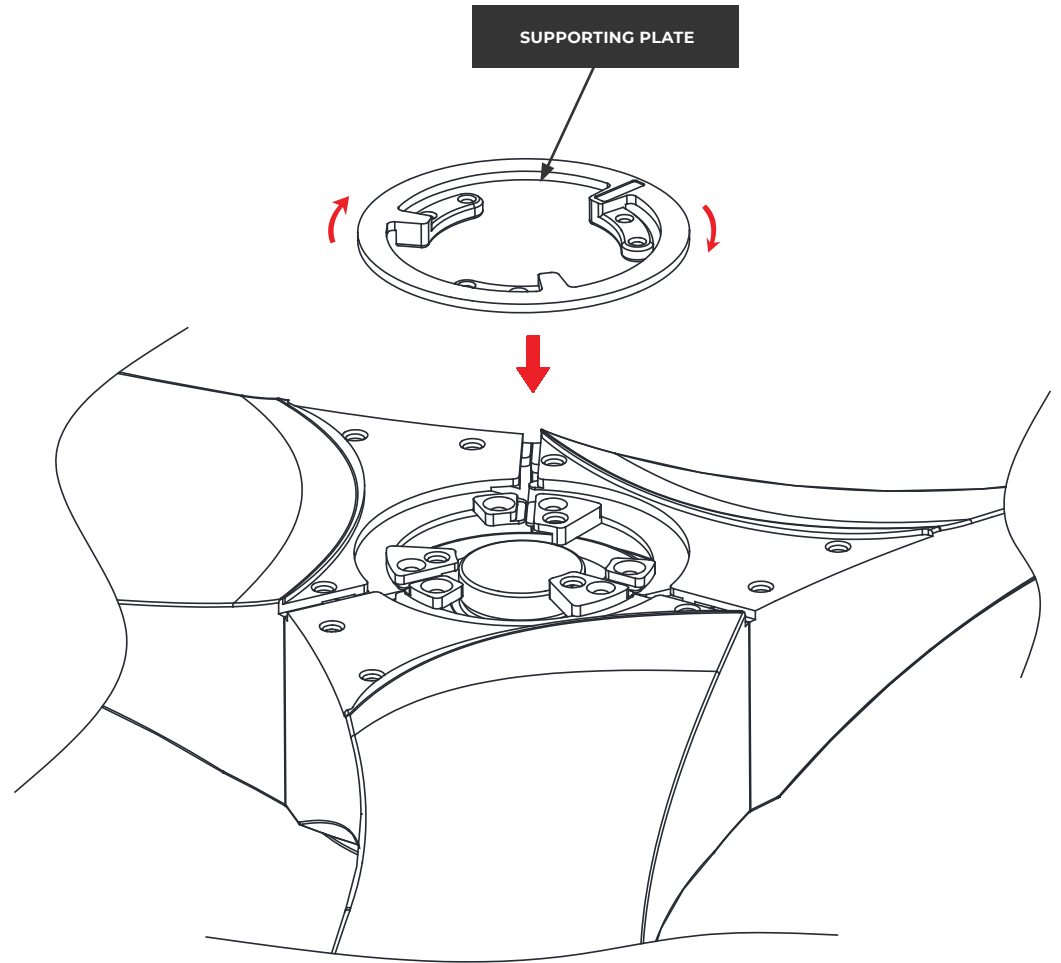


3

ASSEMBLING THE FAN ... CONTINUED

C

Flip the fan over. Engage the supporting plate with the tabs on blades by turning clockwise until the screw holes on the supporting plate align with the holes on the tabs of the blade.

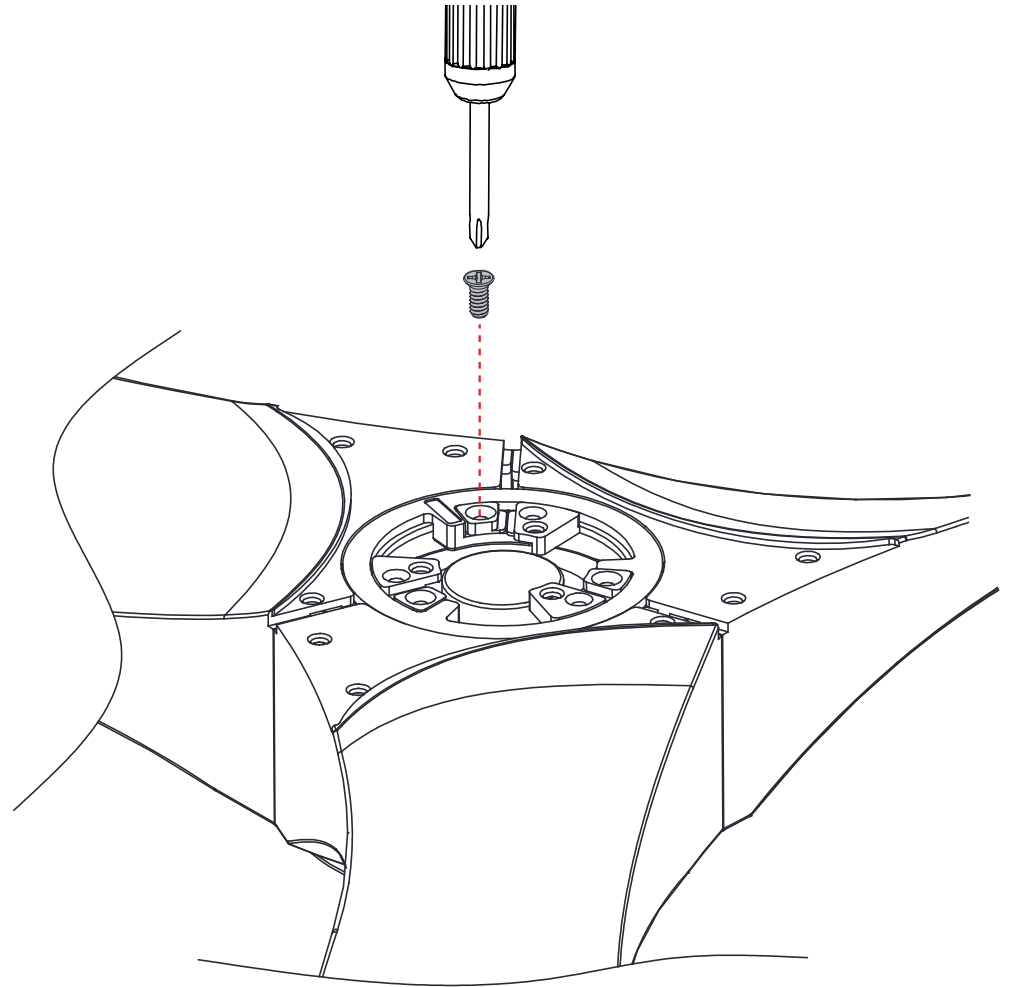


3

ASSEMBLING THE FAN ... CONTINUED

D

Install and tighten set screws onto the blades and supporting plate.

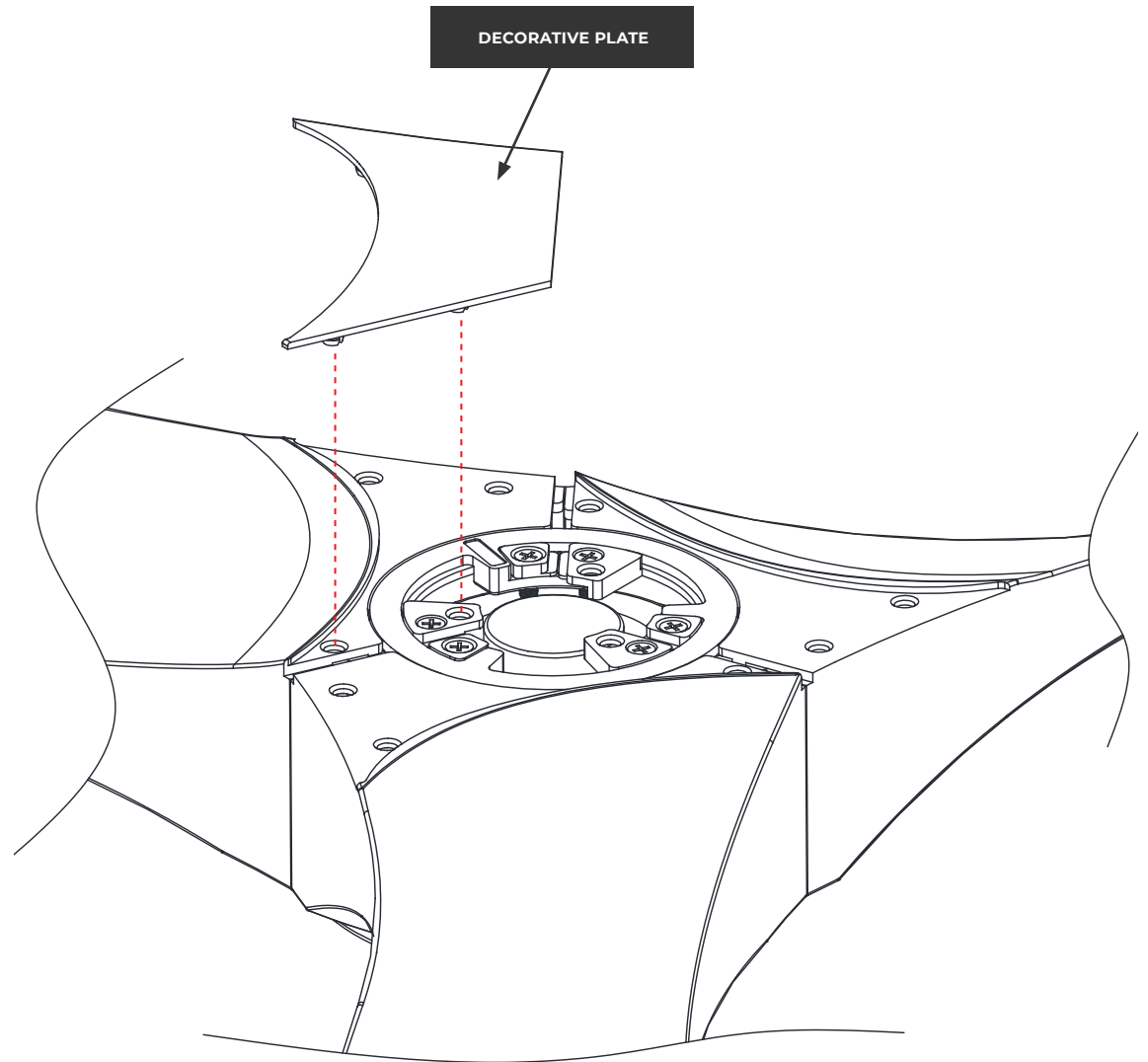


3

ASSEMBLING THE FAN ... CONTINUED

E

Snap the decorative plate on each blade.



4

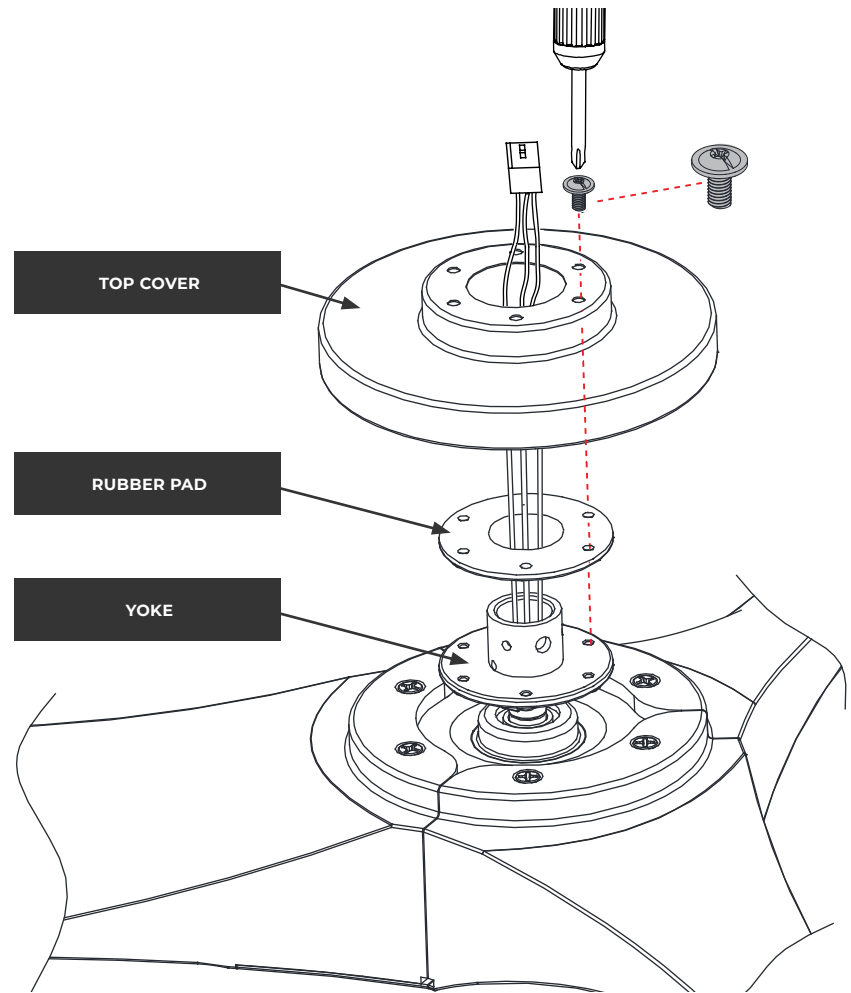
REMOVING THE DOWNROD

A

Flip over the fan again.

B

Place the rubber pad and a top cover over the wires and install the top cover onto the yoke with the provided screws.

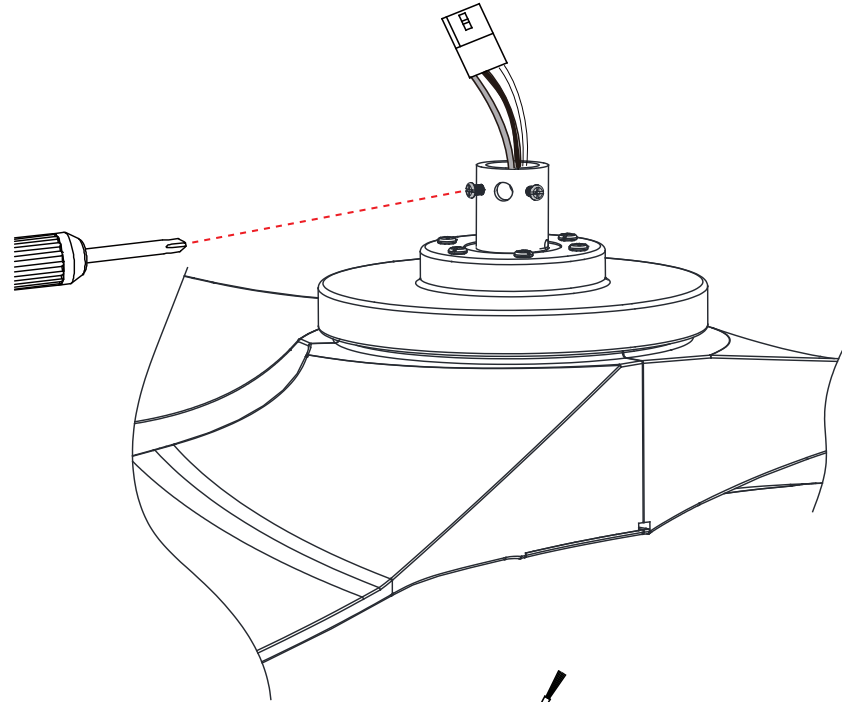


4

REMOVING THE DOWNROD ... CONTINUED

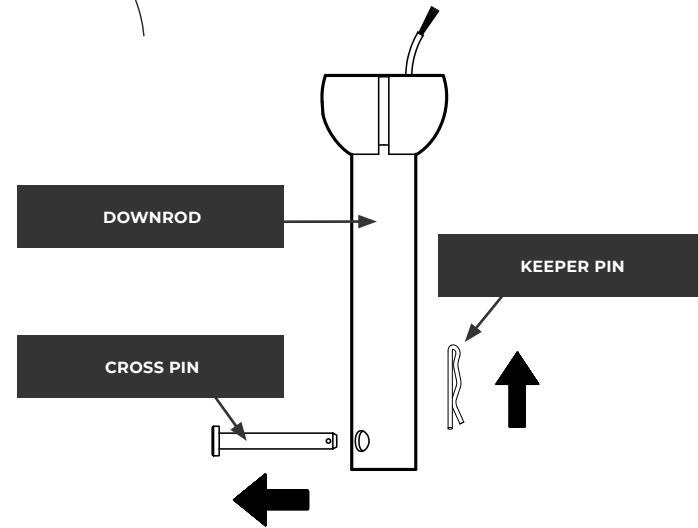
C

Partially loosen the down rod set screws from the yoke at the top of motor assembly.



D

Remove preassembled keeper pin and cross pin from downrod and keep parts for later.



5

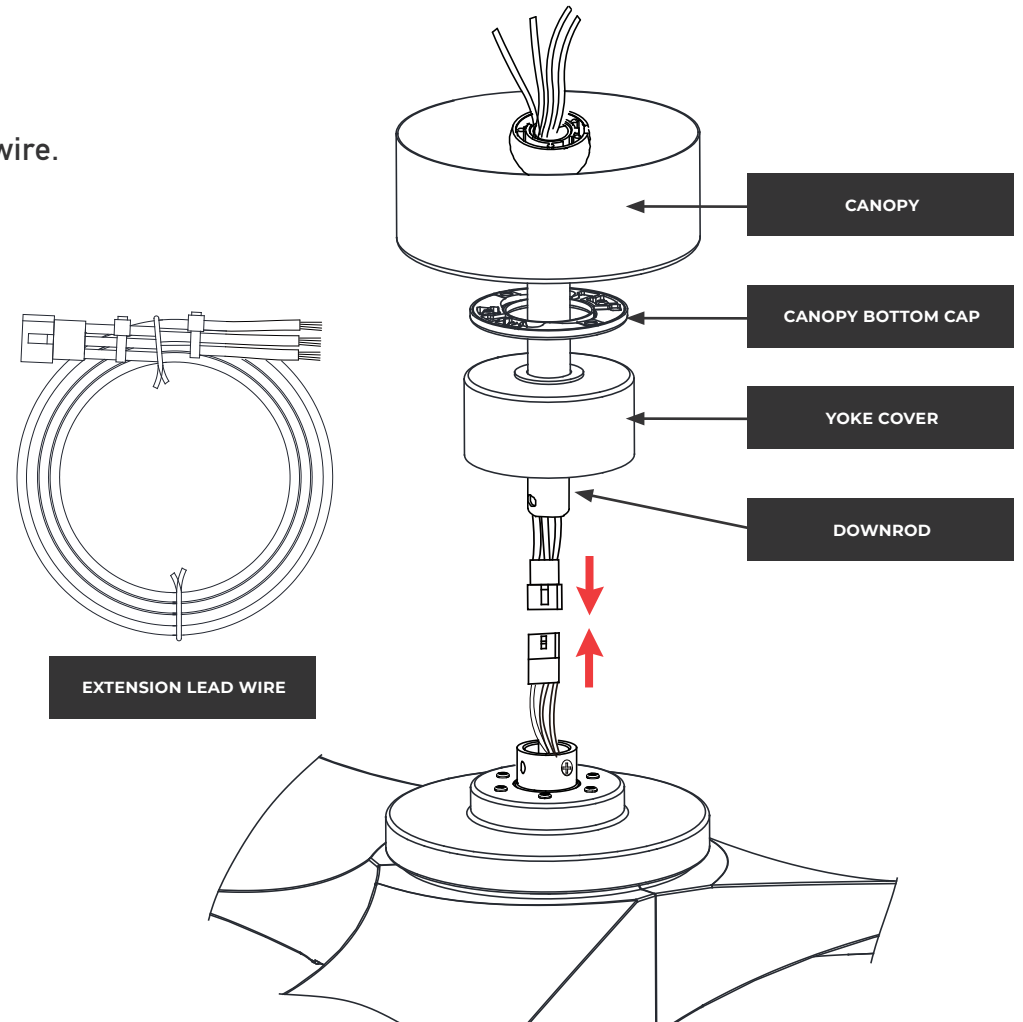
ASSEMBLING THE CANOPY

A

Insert the canopy bottom cap and the canopy over the wire.

B

Connect the extension wires to the lead wires from the motor. Thread lead wires from the motor through the downrod.

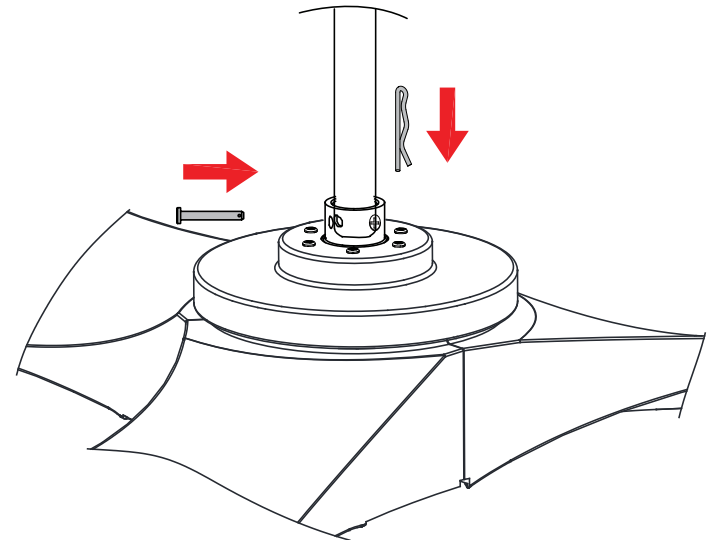


5

ASSEMBLING THE CANOPY ... CONTINUED

C

Slip the downrod into the motor housing yoke, aligning holes and install cross pin and keeper pin.

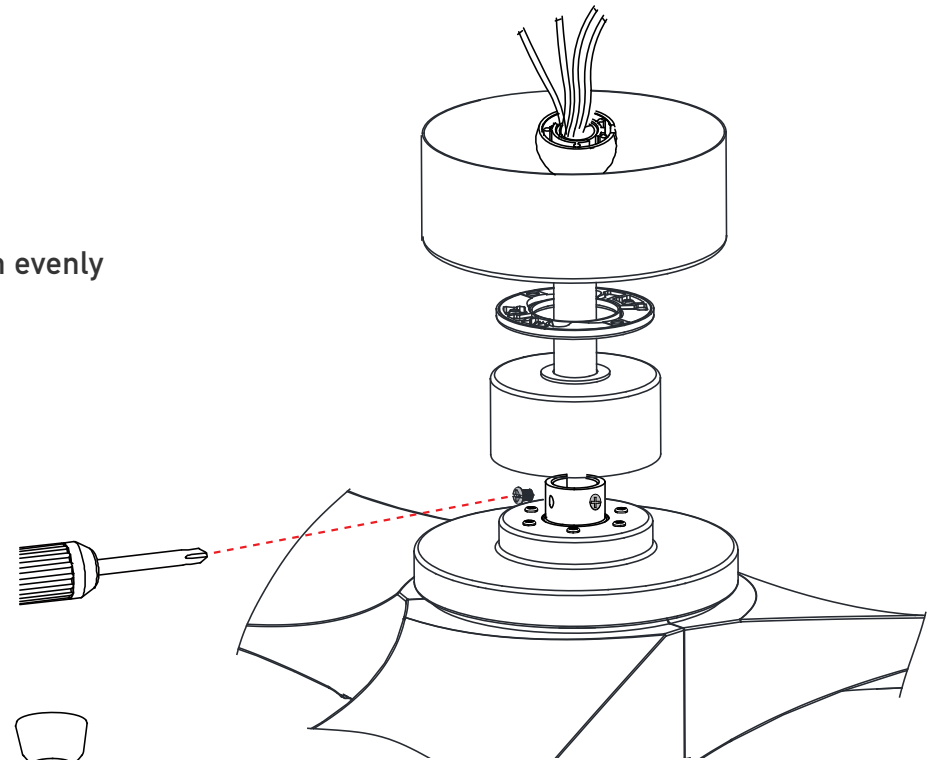


5

ASSEMBLING THE CANOPY ... CONTINUED

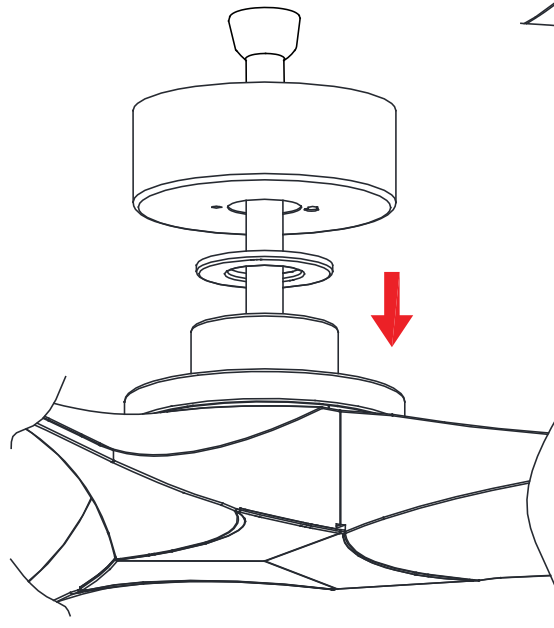
D

Pull the downrod up tight against the cross pin, and then evenly tighten the downrod set screws on motor housing yoke.



E

Place yoke cover on top housing of fan.

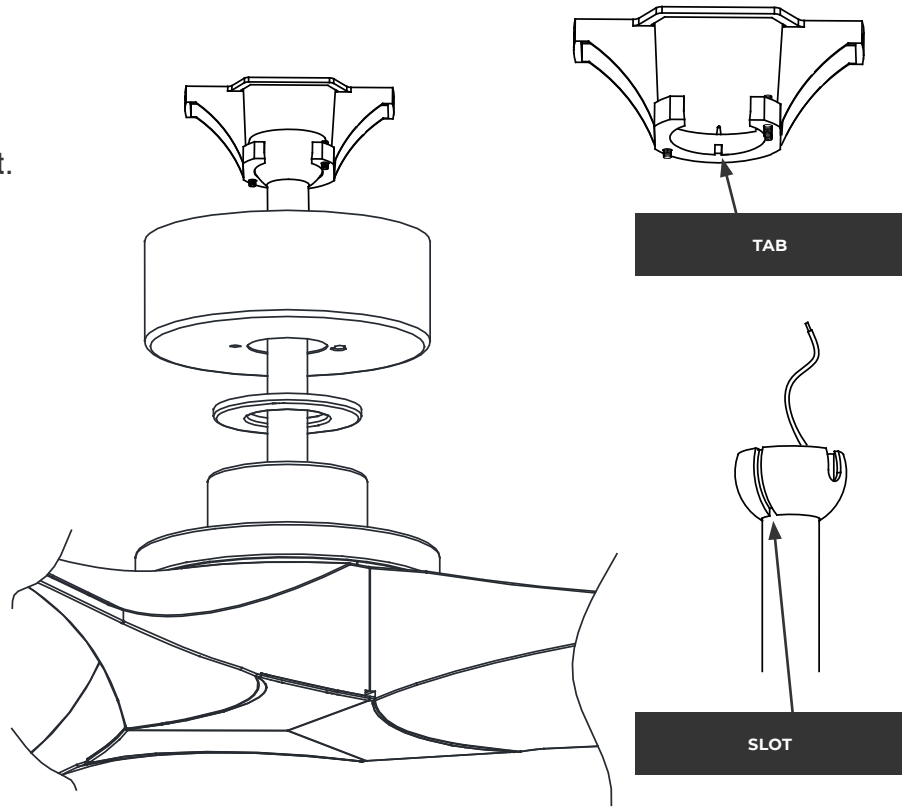


6

MOUNTING FAN ON BRACKET

A

Install ball end of downrod into mounting bracket opening.
Align and engage slot on ball with tab on mounting bracket.



7

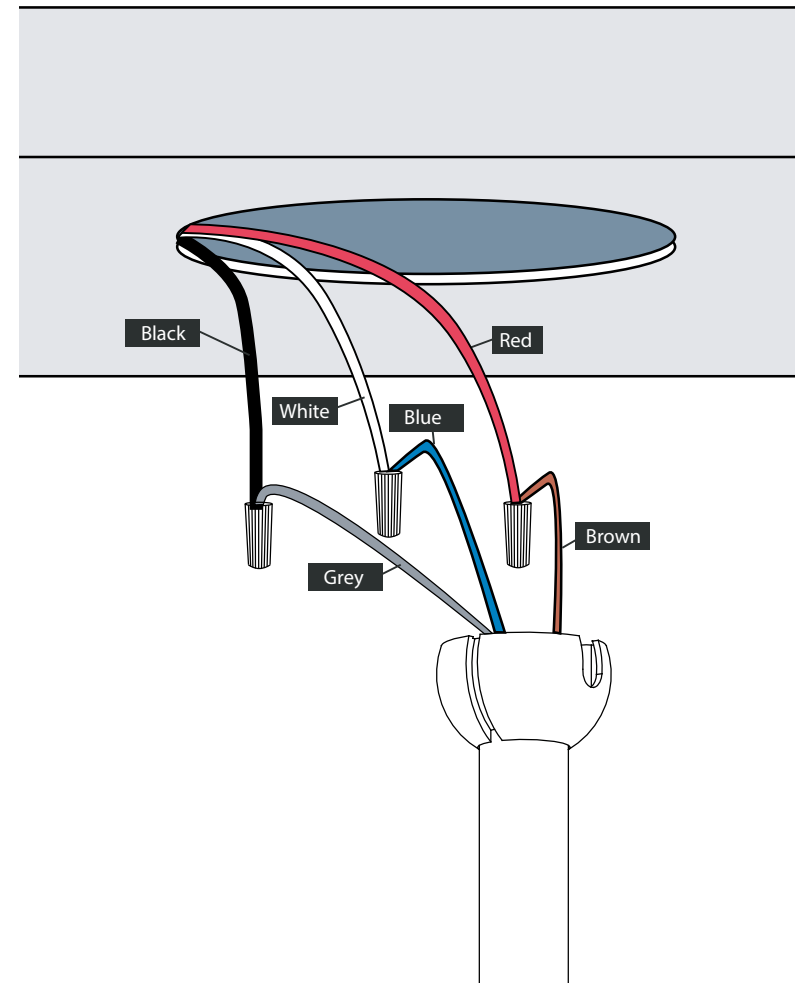
FAN CONNECTION TO THE CROSSBAR

A

With the help of your electrician, connect the wires coming from the central crossbar to the fan.

Power the fan as follows:

- a) The BLACK wire o the GREY wire
- b) The WHITE wire o the BLUE wire
- c) The RED wire to the BROWN wire
- d) The GREEN wires are the ground and they connect together

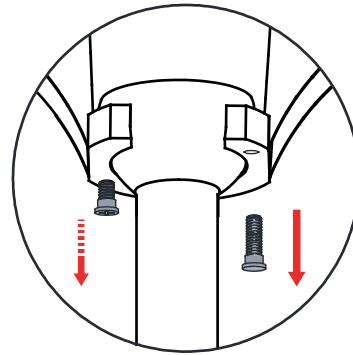


8

MOUNTING FAN ON PERGOLA

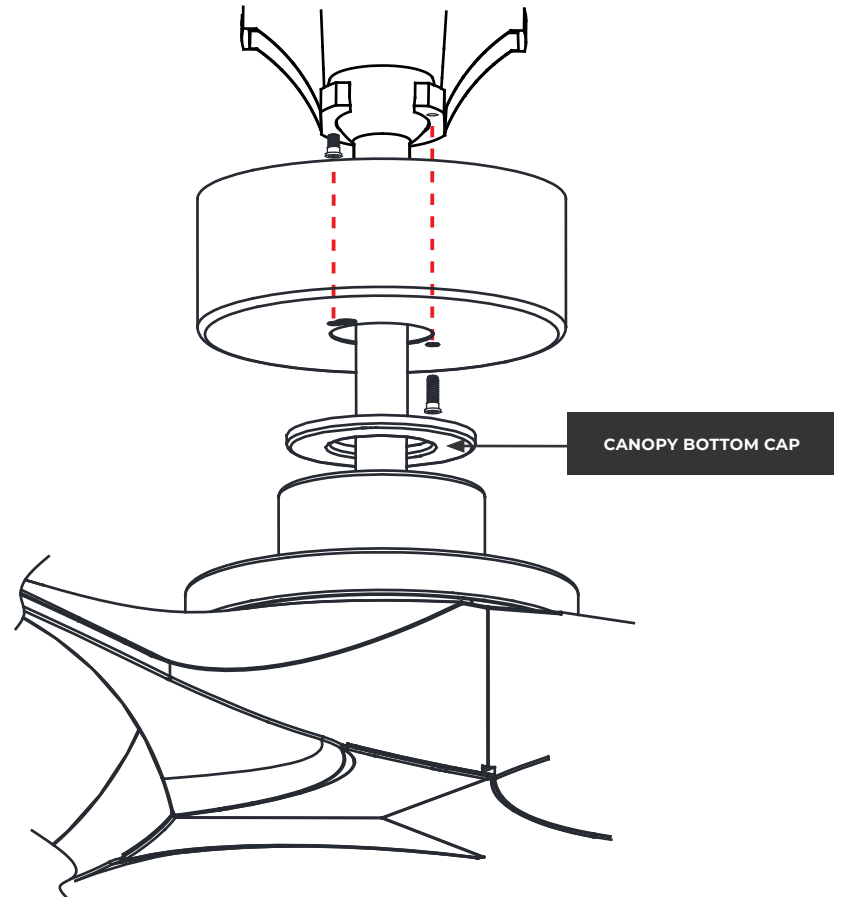
A

On the mounting bracket, partially loosen one screw and remove the second one. Save screw for later.



B

Lift canopy up, without its bottom. Align its keyhole slot with the preassembled screw on mounting bracket and twist clockwise to lock in place.

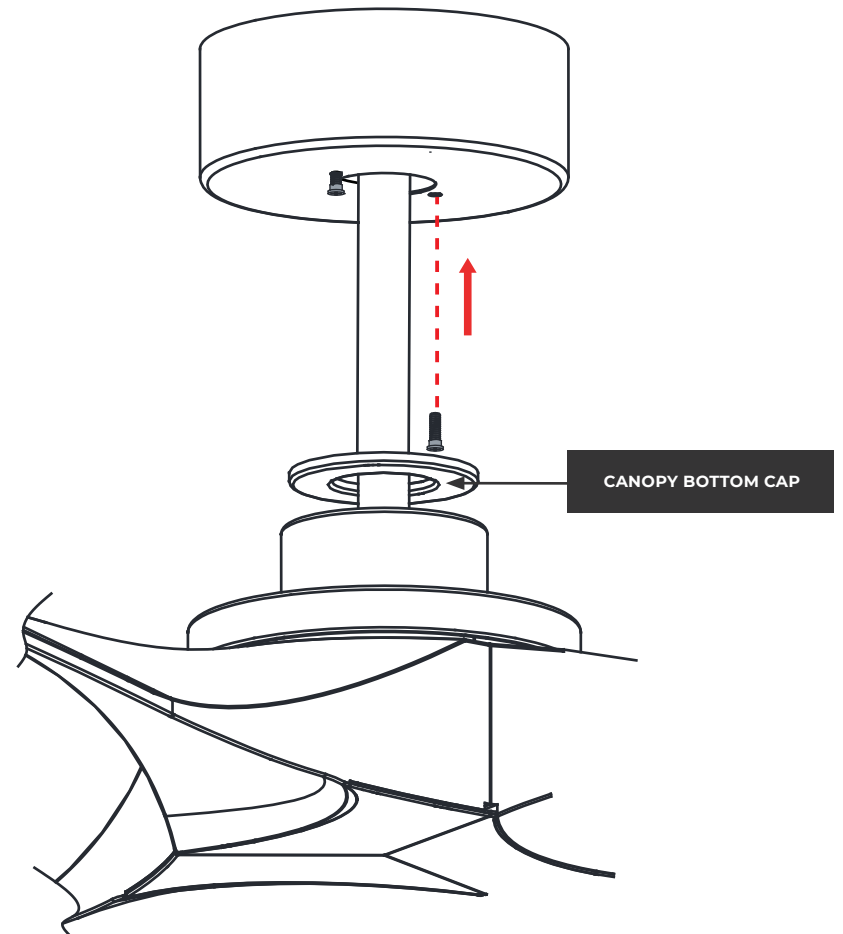


8

MOUNTING FAN ON PERGOLA ... CONTINUED

C

Reinstall the other screw and tighten all screws securely.

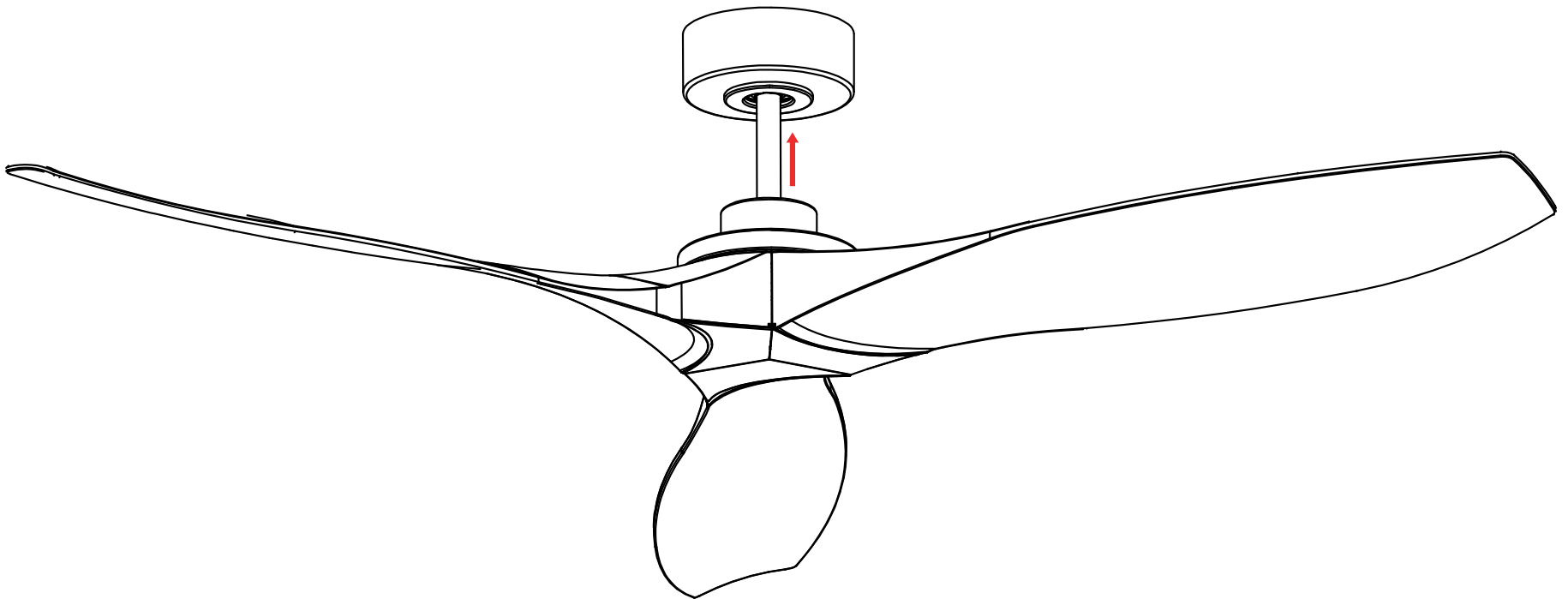


8

MOUNTING FAN ON PERGOLA ... CONTINUED

D

Attach canopy bottom cap onto canopy by aligning its holes with the screws on mounting bracket and fix it with the magnet embedded in the cap.



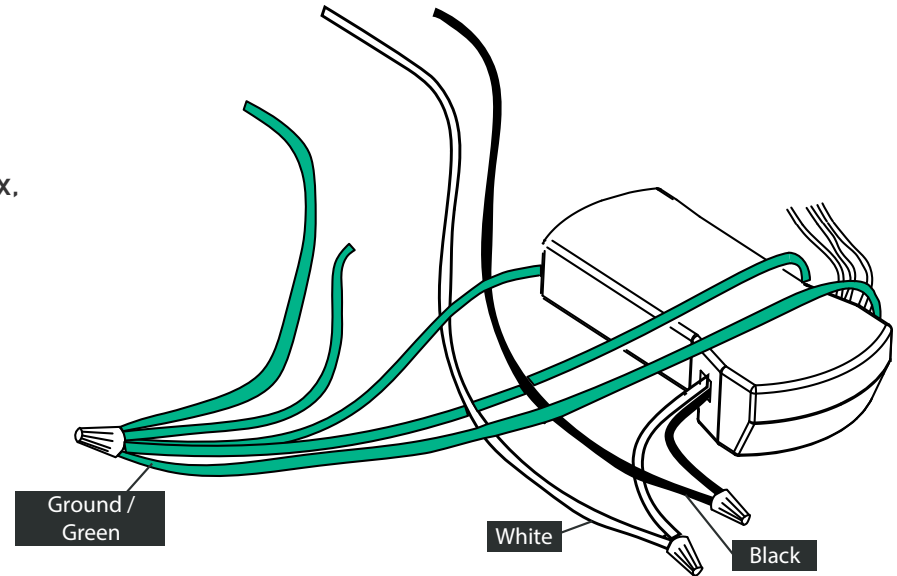
9

CROSSBAR CONNECTION TO THE PERGOLA

A

With the help of your electrician, in the pergola's technical box, make the connections from the fan receiver to the wire powering the fan as follows:

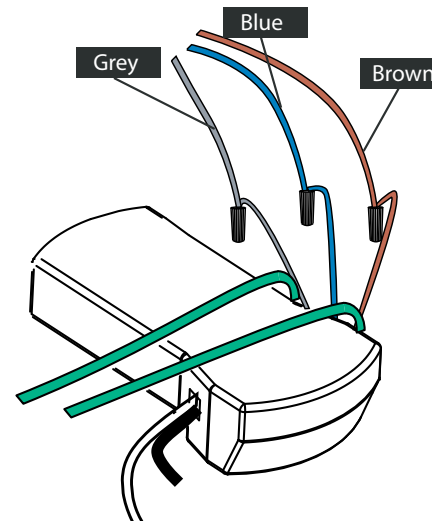
- a) Black to grey
- b) White to blue
- c) Red to brown
- d) Ground/Green to Ground/Green



B

With the help of your electrician, in the pergola's technical box, make the connections from the power source to the fan receiver as follows:

- a) Black to black
- b) White to white
- c) Ground/Green to Ground/Green



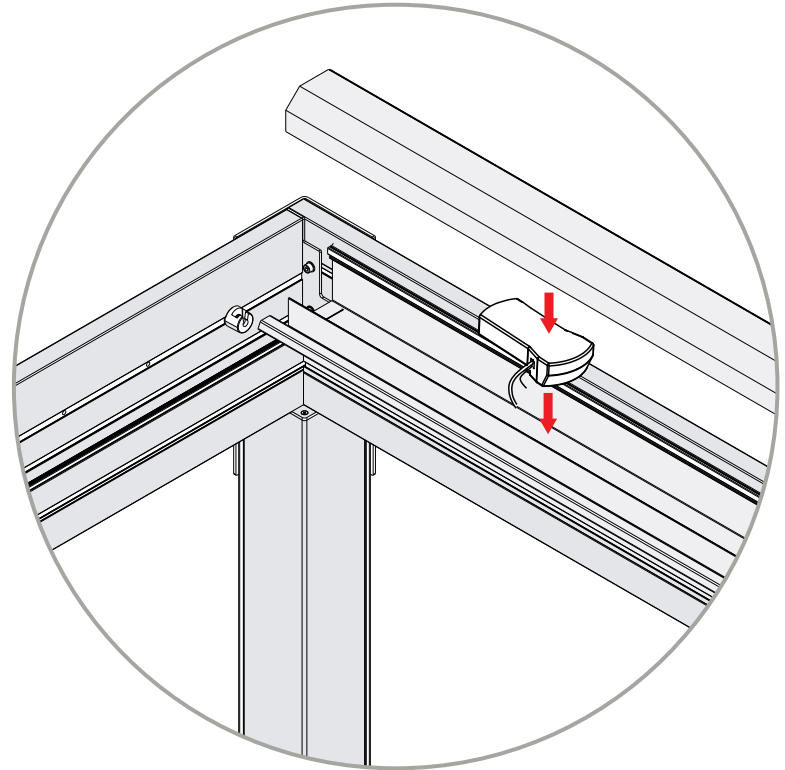
10

SEALING ELECTRIC WIRES

A

Insert the receiver and the power wires into a watertight box. Seal the box well and place it with the opening facing upwards in the pergola's technical box.

Use the user guide from the ventilator box to understand the functioning of the ventilator's remote.



TERRA SUMMER

1-800-515-6652

info@terrasummer.com

terrasummer.com