



TERRA SUMMER

OUTDOOR LIVING SPACES

CONTENTS

GENERAL WARNING	3
IN THE BOX	4
USEFUL TOOLS	4
SCREW SET COMPONENTS	5
TIPS AND ADVICES	6
COMPONENTS	6
PREPARATION	7
MEASUREMENTS	8
INSTALLATION	9
HOW TO USE YOUR PERGOLA	19
WARNING	20
LEGAL NOTICE	21
FAQS AND NOTES	22

GENERAL WARNING

WARNING ! PLEASE READ THIS MANUAL BEFORE USING AND INSTALLING THE PRODUCT. SAVE THESE INSTRUCTIONS FOR FUTURE REFERENCE.

- The installation of a pergola must be done with care due to its constraints and requires a certain level of skills :

- Measurement and leveling of supports and structure.
- Floor drilling Installation of chemical sealing or suitable fixation.
- Work at height and handling heavy loads.

If in doubt about the safety of your installation, call in a professional.

- The pergola must be installed according to the rules of the art. A minimum of three people are necessary with personal protective equipment (PPE) and the appropriate material. If a problem occurs, please consult a person qualified on this product for assistance.

- Observe the safety instructions to prevent damage from incorrect use! Observe all warnings on the instructions.

- This is a product that presents a risk of falls and serious injury. All the assembly steps must be scrupulously observed. Failure to fasten or incorrectly lay down or break the pergola. It is important for your safety to follow these instructions.

- It is strictly forbidden to climb on the pergola deck.

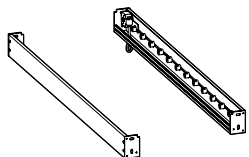
- It is strictly forbidden to climb on the pergola structure.

- The installer is responsible for securing and maintaining the pergola to the ground.

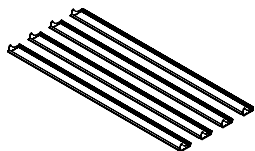
- The manufacturer assumes no responsibility for damage caused to the pergola or its contents by natural disasters or special events for any pergolas installed in non-compliance with the recommendations in the installation instructions.

- In the event of heavy snowfall, remove the snow from the pergola. Never allow snow to accumulate.

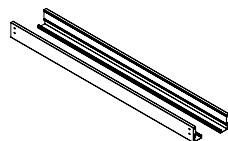
IN THE BOX



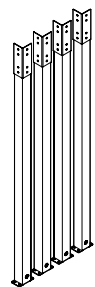
Side rafters



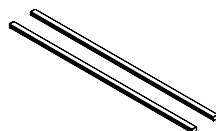
Blades (23x)



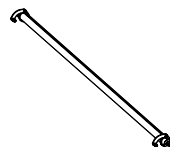
Beams (front and back)



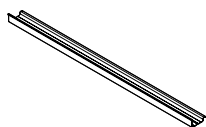
Legs



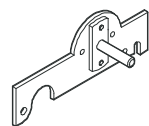
Maneuvering profiles



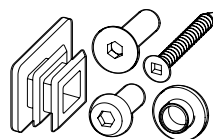
Rolling tube



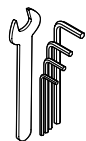
Tray



Fum73



Screw set (see p.4)

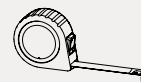


Toolkit
Allen No. 4, 5, 6, 8



Manual Crank

USEFUL TOOLS



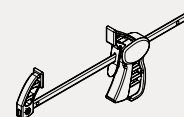
Measuring tape



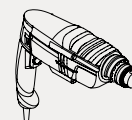
Screw driver



Crescent Wrench



Trigger Clamp



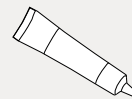
Hand drill



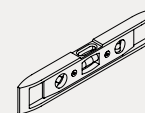
Socket head 11/16"



Ladder (2x)

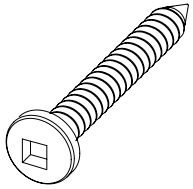


Silicon



Level

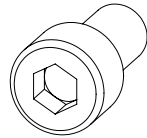
SCREW SET COMPONENTS



A

ROUND HEAD #10

Steps in use: 1B
QTY Total: 16

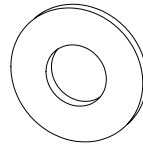


B

(Installés)

DIN912M8X14MM

Steps in use: 2B, 8D
QTY Total: 9

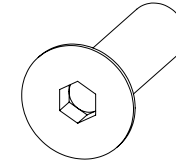


C

(Installés)

DIN125M8

Steps in use: 2B, 8D
QTY Total: 9

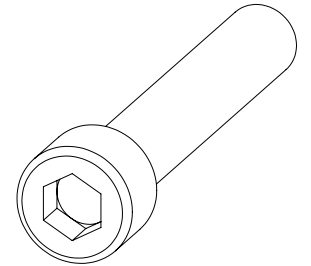


D

(Moitié Installée)

DIN7991M8X20MM

Steps in use: 3B
QTY Total: 32

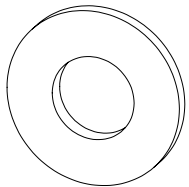


E

(Installés)

DIN912M10X60MM

Steps in use: 10A
QTY Total: 2

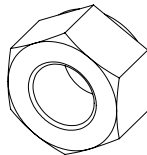


F

(Installés)

DIN125M10

Steps in use: 10A
QTY Total: 3

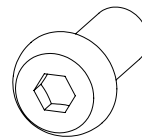


G

(Installés)

DIN934M10

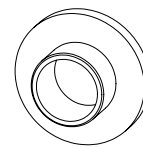
Steps in use: 10A
QTY Total: 4



H

DIN7380M8X20MM

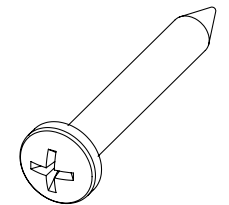
Steps in use: 10B
QTY Total: 46



I

PLB7915

Steps in use: 10B
QTY Total: 46



J

(Installés)

ST6.3X30MM

Steps in use: 7C
QTY Total: 2

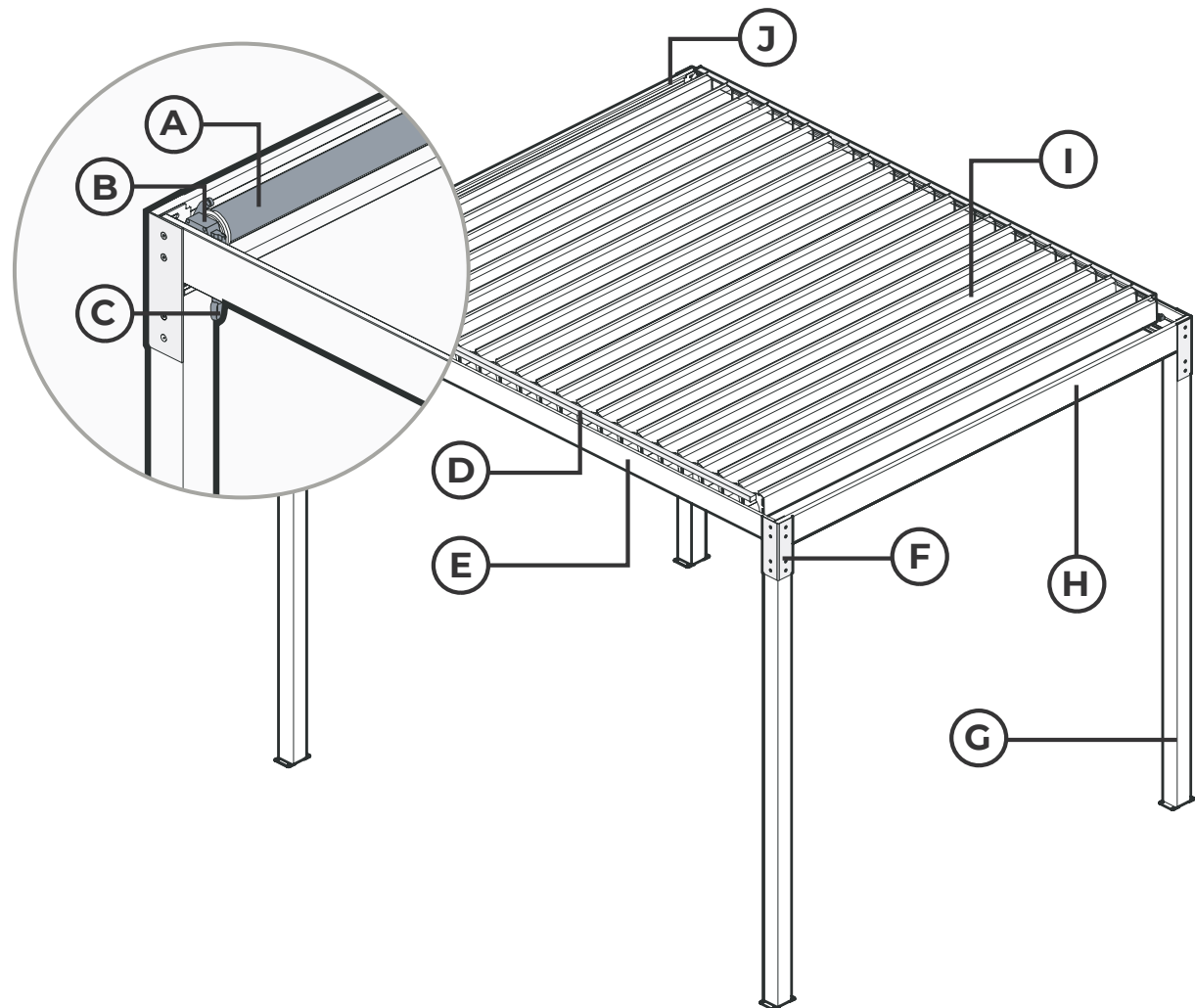
TIPS AND ADVICES

3 RULES

- WORK IN TEAMS OF AT LEAST 3 PEOPLE TO INSTALL YOUR PERGOLA.
- TAKE THE TIME TO PLAN YOUR INSTALLATION.
- VERIFY THAT THE PERGOLA IS FREE AND CLEAR FROM OBSTRUCTION ONCE THE BLADES ARE OPENED TO THE MAXIMUM.

COMPONENTS

- A. Rolling tube
- B. Engine box
- C. Crank loop
- D. Maneuvering profil
- E. Side rafters
- F. End caps
- G. Legs
- H. Front beam
- I. Blades
- J. Tray

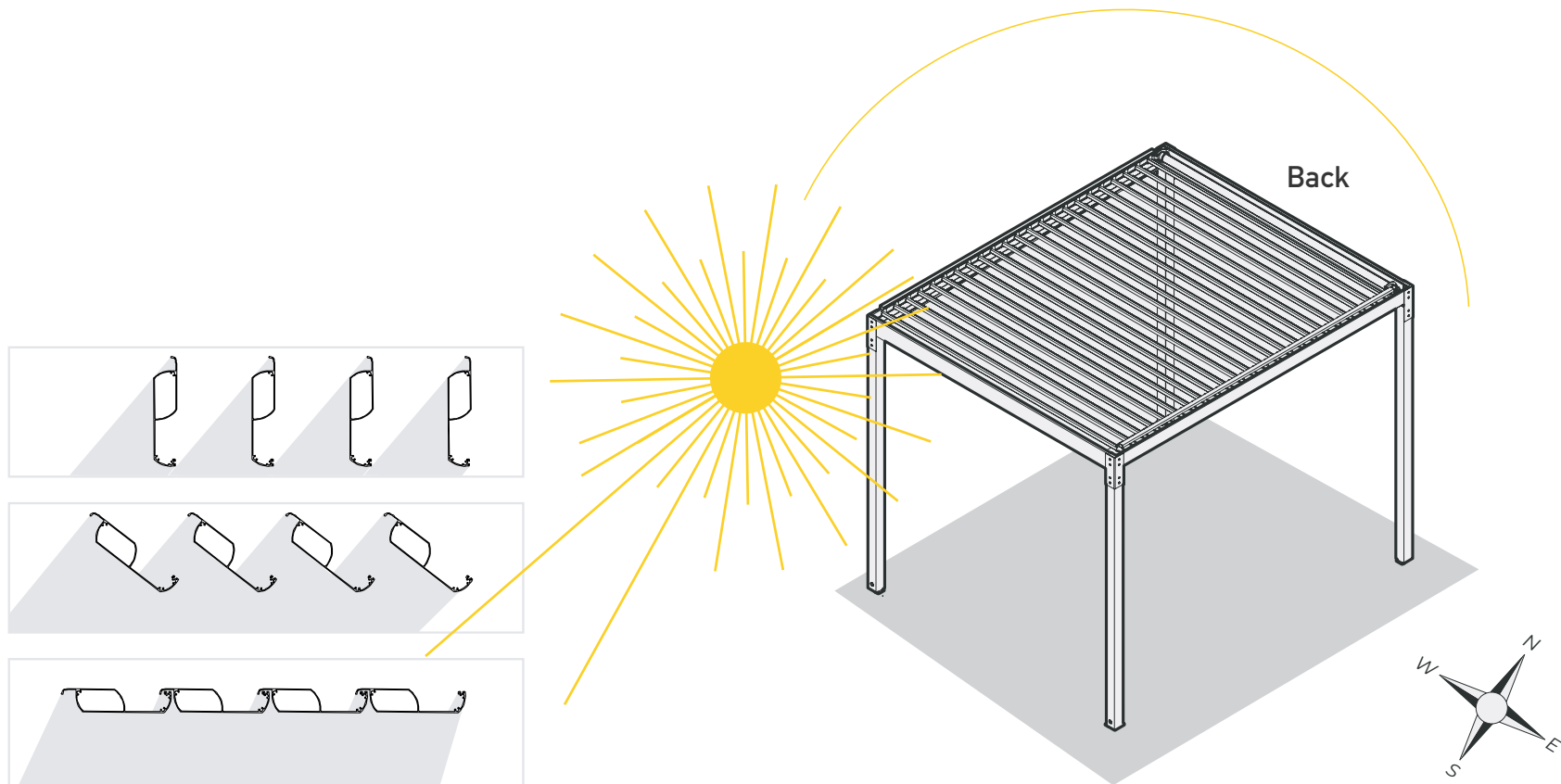


PREPARATION

THE DIRECTION OF ROTATION OF YOUR BLADES IS IMPORTANT TO DETERMINE IF YOU WANT TO BE ABLE TO PROTECT YOURSELF AGAINST SUNLIGHT FOR AS LONG AS POSSIBLE OR ALLOW SUNLIGHT TO FLOW IN AS QUICKLY AS POSSIBLE.

If you wish to allow sunlight to flow in, it is suggested to place the back of your pergola to the North side.

- A. Determine where the sun is moving during the day to place the pergola.
- B. Note where the back of the pergola is located. Your blade opens at 90 degrees towards the back.

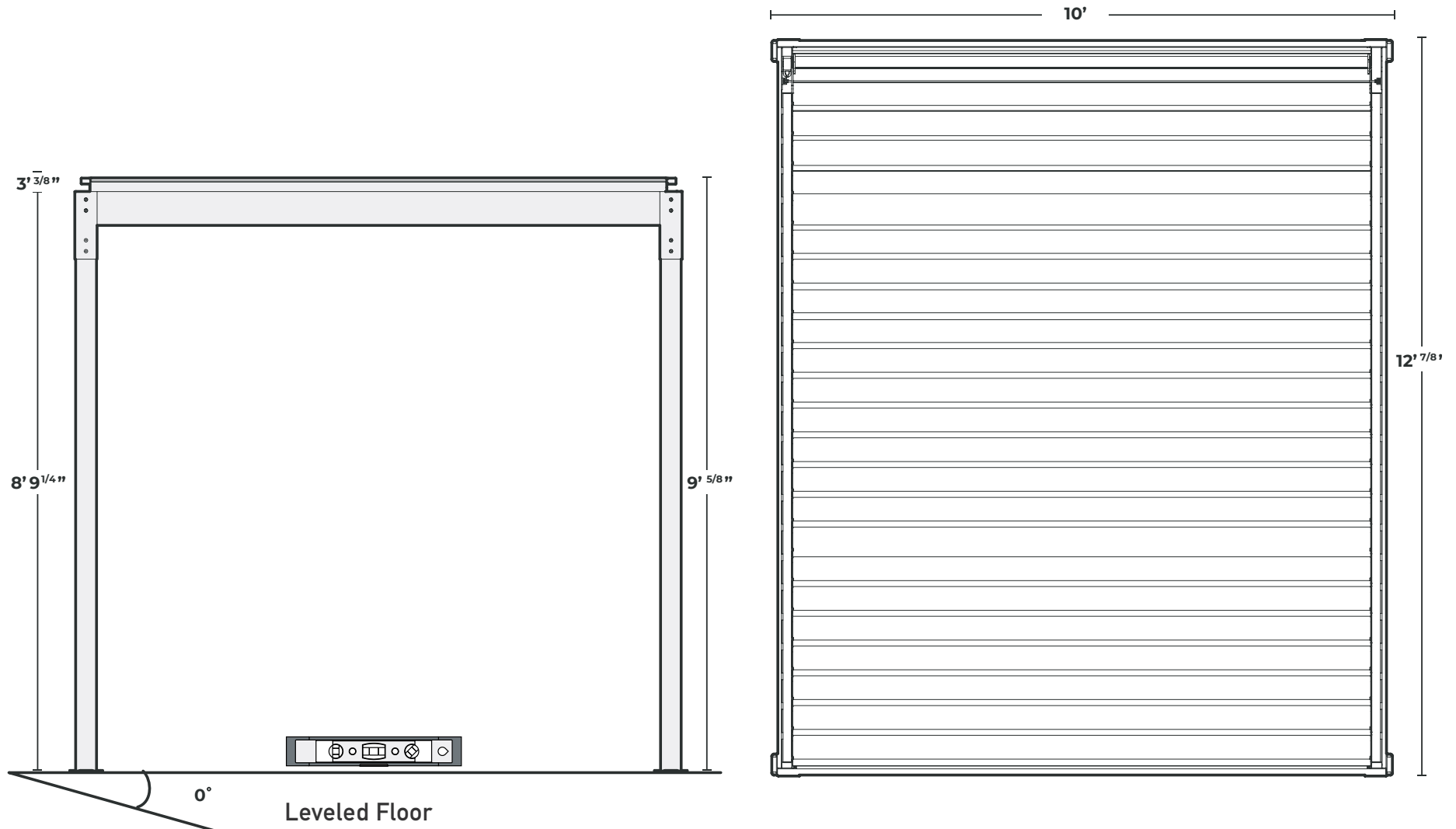


MEASUREMENTS

The overall dimension of the pergola is 10ft wide by 12ft ^{7/8} long and 9ft ^{5/8} high.

When deciding where to install the pergola, ensure that the blades can open completely without interferences.

For the good functioning of the pergola, it is also important that it is fixed on a leveled floor.



INSTALLATION

1

BUILT THE FRONT AND BACK ARCHES

A

Mark down where the pergola will sit. Base yourself on the measurement at P.8.

B

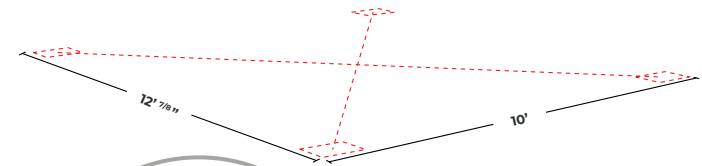
Lay down the 2 front legs and the rafter on the ground. Ensure that the inserts on the legs are facing outside the pergola. Put silicon at the end of the rafter as indicated on the image.

C

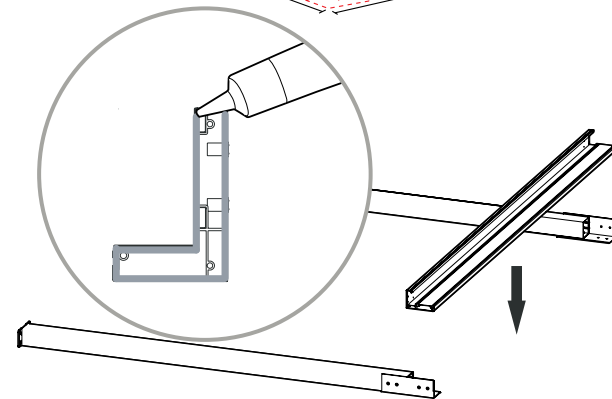
Using A SCREWS (ROUND HEAD #10), fix the leg onto the back arch.

Repeat step 1 to create the back arches.
Note that both arches are the same.

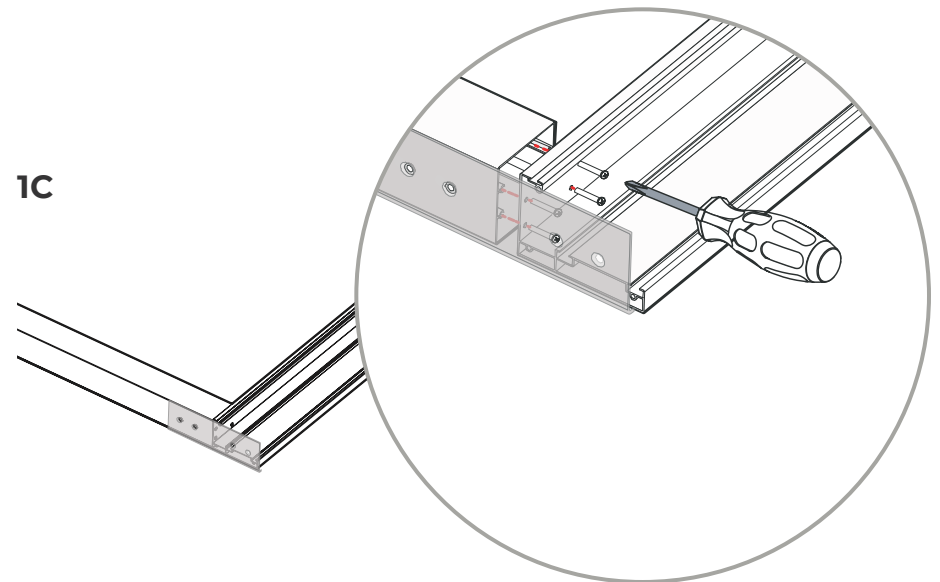
1A



1B



1C



2

ASSEMBLING THE SIDE RAFTERS

A

With the Allen key No.6, remove the 2 B SCREWS (DIN-912M8x14mm) at both extremities of both arches. Save the screws for step 2C.

B

Bring up both arches in the approximate position where they should be fixed.

While holding the arches, slide in the side rafter from the top.



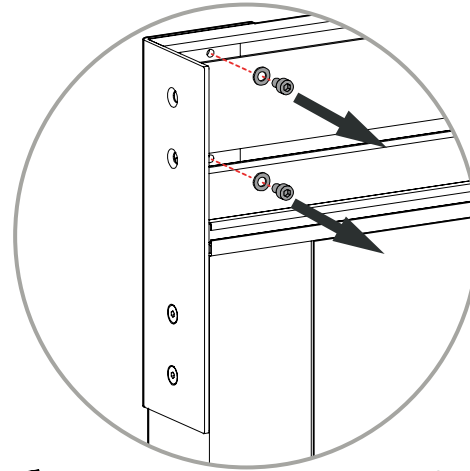
Position the rafter with the gear box ensuring that the gear box is at the back of the pergola looking inside of the pergola. This will determine where the back of your pergola will be.

C

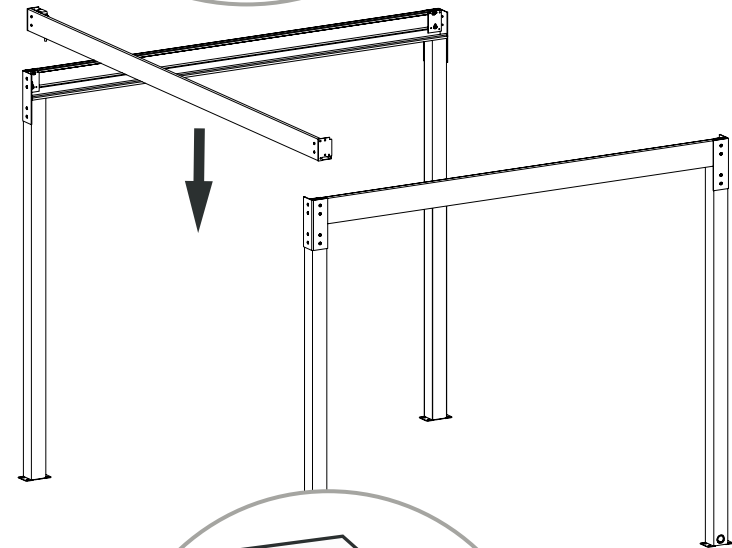
With the Allen key No.6, tighten B SCREWS (DIN-912M814MM) back in place taking the end of the side rafter in sandwich between the washer and the platelet.

Repeat step 2 with the second rafter.

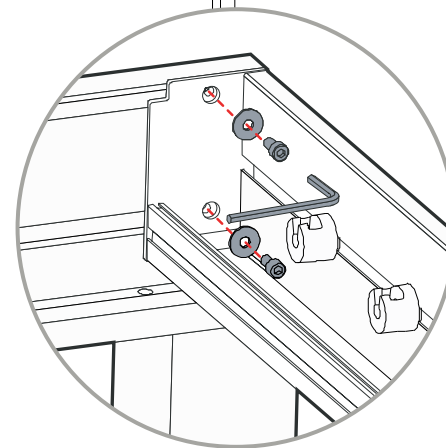
2A



2B



2C



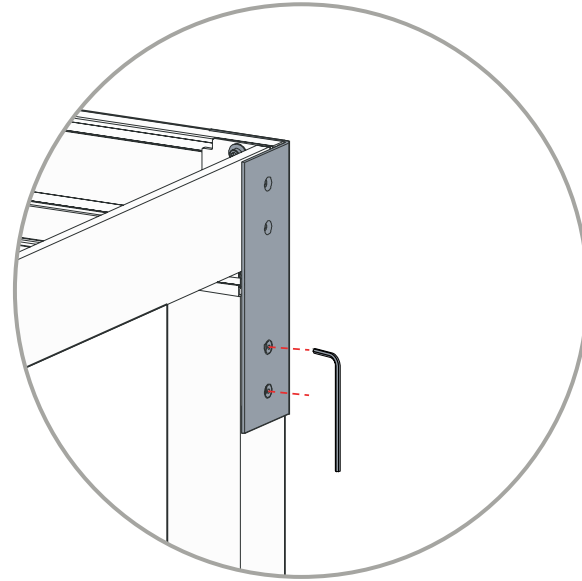
3

FIXING THE END CAPS

A

Using your Allen key No.5, loosen D SCREWS (DIN-7991M8x20MM) already installed on the end cap.

3A

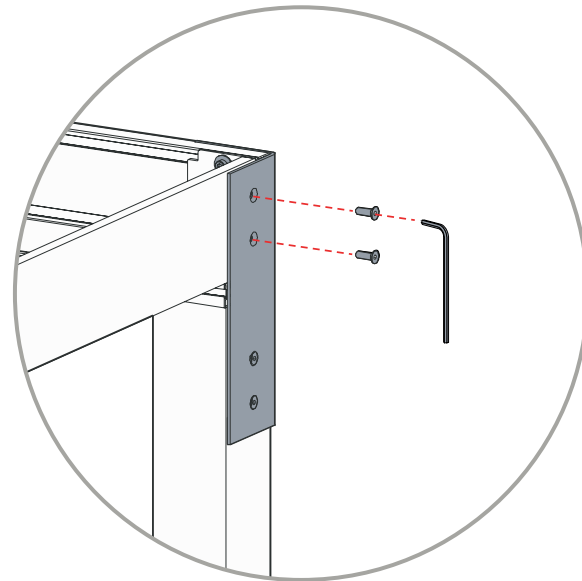


B

Using your Allen key No.5, insert and tighten D SCREWS (DIN7991M8x20MM) in the remaining holes of the end cap in the 4 corners. Once all screws are in, tighten all screws without over forcing them.

Repeat step 3 on all corners of the pergola.

3B



4

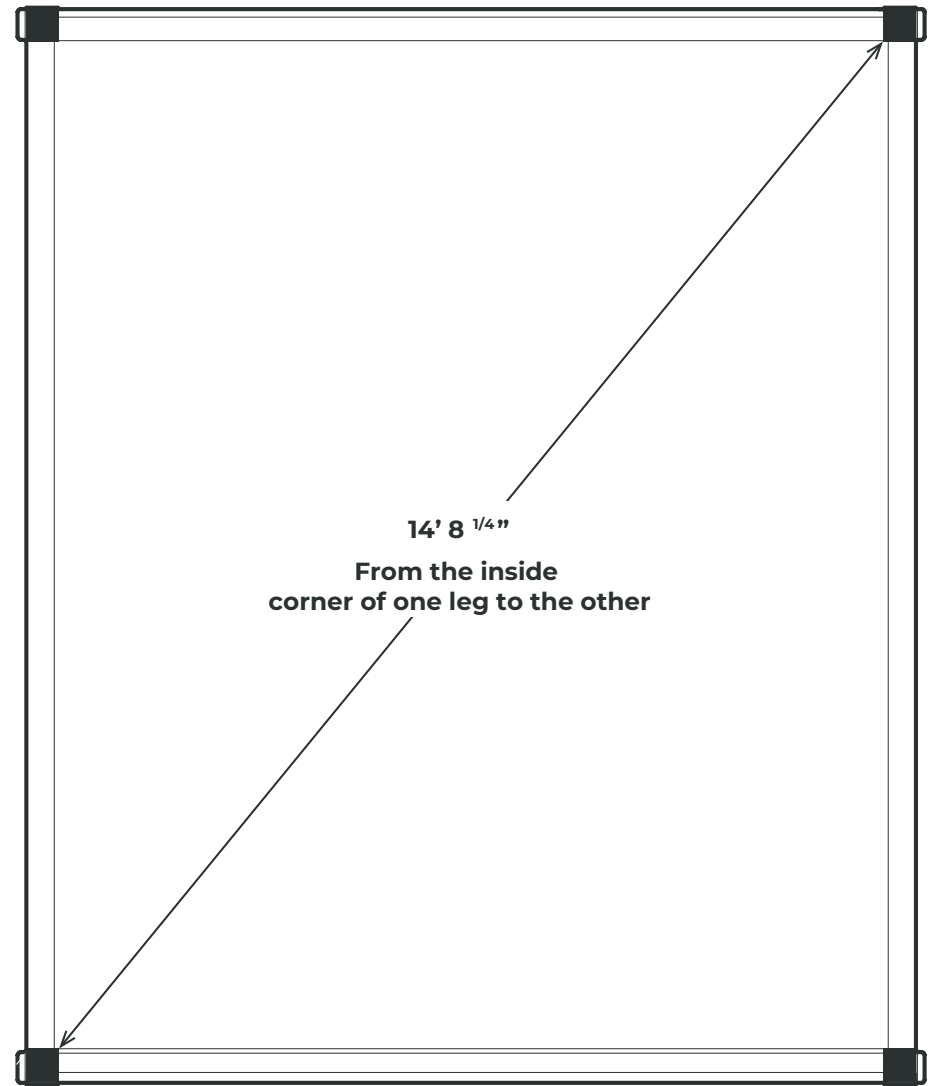
CONTROL THAT THE PERGOLA IS SQUARE

A

Measure both diagonals from the inside of the legs. The length of both diagonals shall be equal.

B

If the diagonals are not equal, it means the pergola is not square. Using a level, move the legs to make them straight and control the distance again. Repeat these steps until you achieve the same dimensions on the diagonals.



Bottom View

5

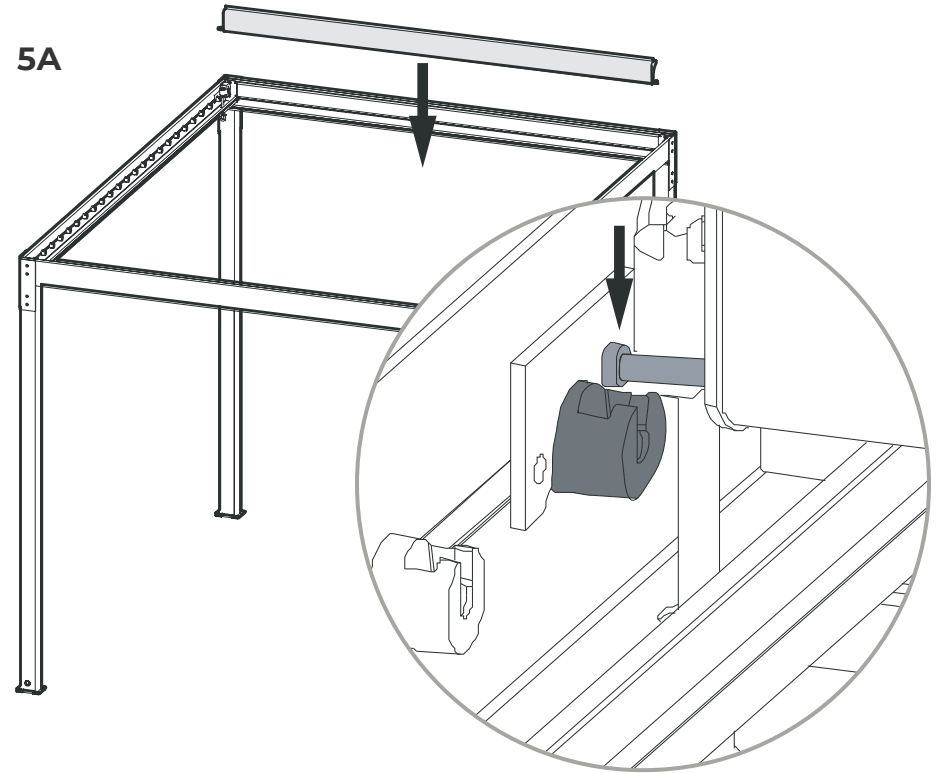
INSTALL THE FIRST BLADE

A

Ensure that the blade is in the right direction.
Insert the outside screw inside the last plastic clip
of the right and left rafters.

Press hard until it clips in place.

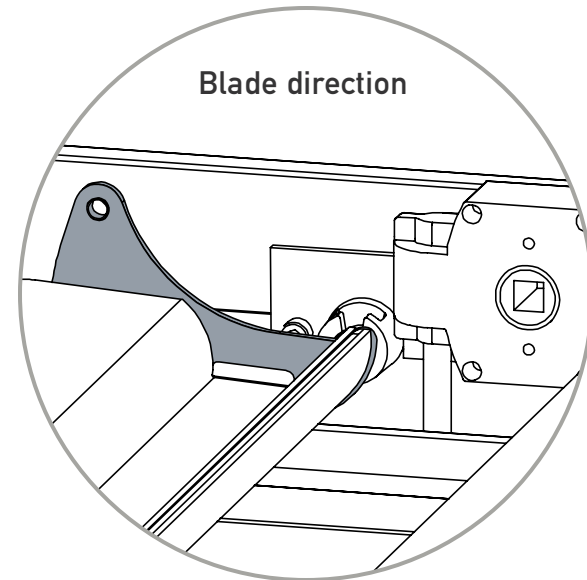
5A



B

Turn the blade so the side plates have their points
looking upward.

5B

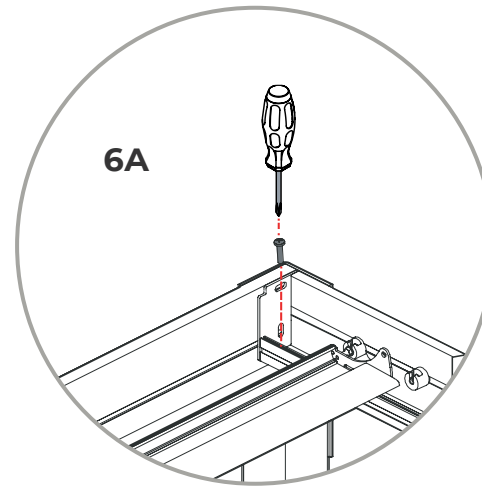


6

INSTALL THE TRAY

A

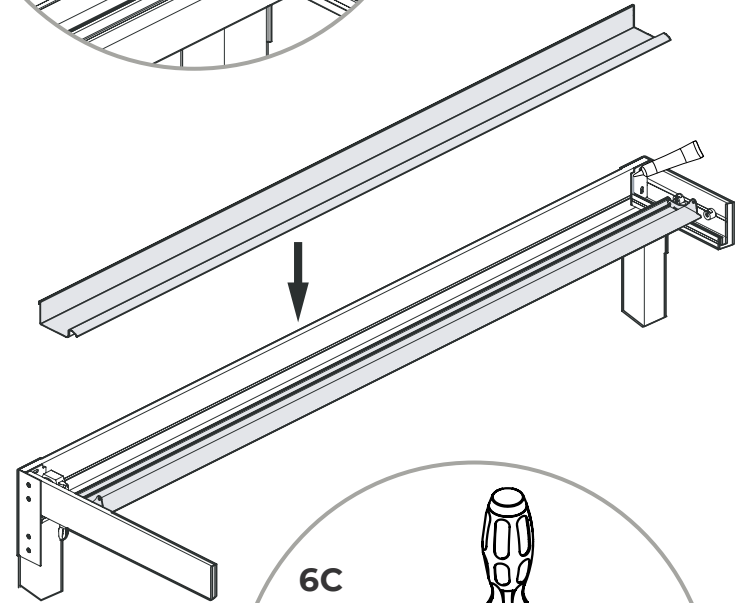
Unscrew J SCREWS (ST6.3x30MM) at the end of both side rafters. Keep for steps C



B

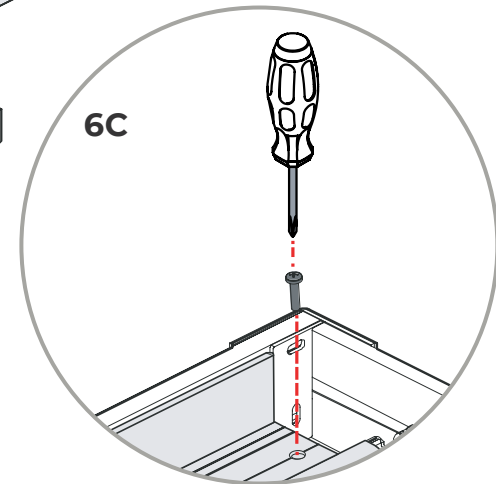
Towards the both extremities of the tray, apply a line of silicone. Slide in the tray. The front loop of the profile should overlap the first blade.

6B



C

Insert J SCREWS (ST6.3x30MM) back on both extremities on the rear beam.



7

ASSEMBLY OF THE ROLLING TUBE

A

Remove the FUM73 by unscrewing B SCREW (DIN-912M8X14MM) and sliding the FUM73 up.

B

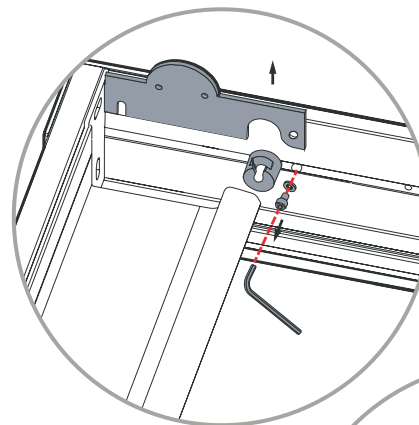
At the opposite extremity of the square pin, insert FUM73 inside the maneuvering tube.

C

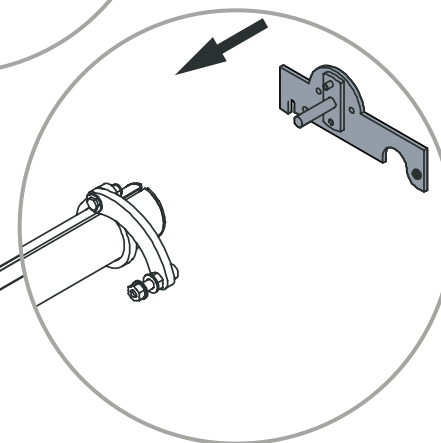
Starting by the gear box side, align the end of the maneuvering tube with the square pin and insert it inside the gear box.

Lower the entire tube over the tray.

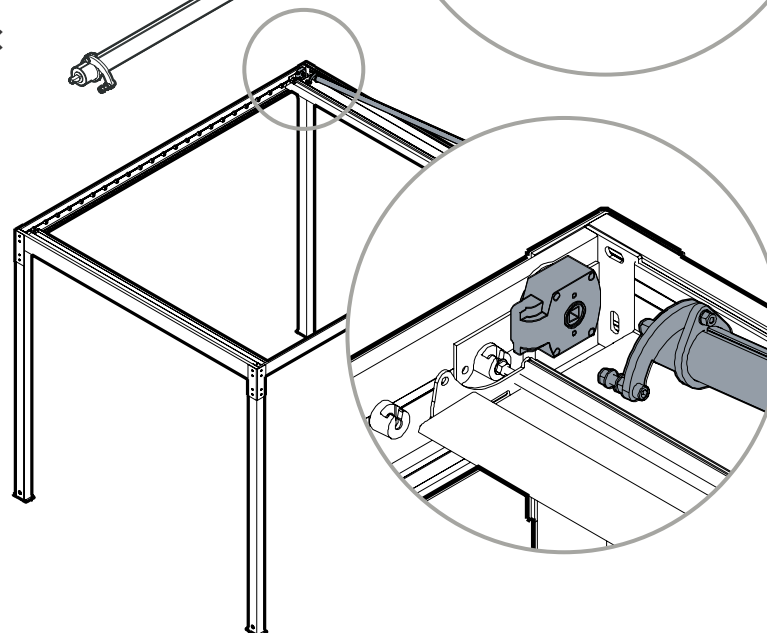
7A



7B



7C



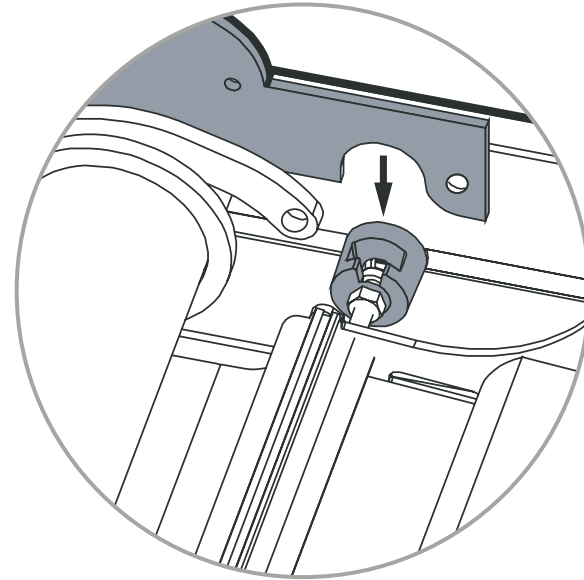
7

ASSEMBLY OF THE ROLLING TUBE (SUITE)

D

Ensure that the plate is laying over the last plastic clip receiving the blade.

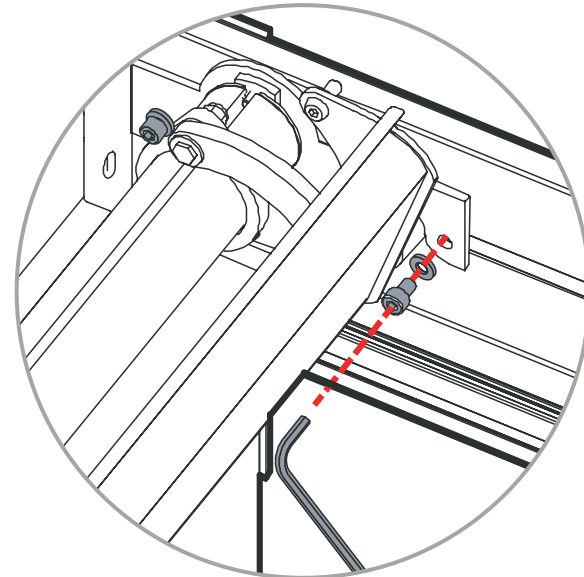
7D



E

Screw tightly B SCREW (DIN912M8X14MM) to keep the FUM73 in place.

7E



8

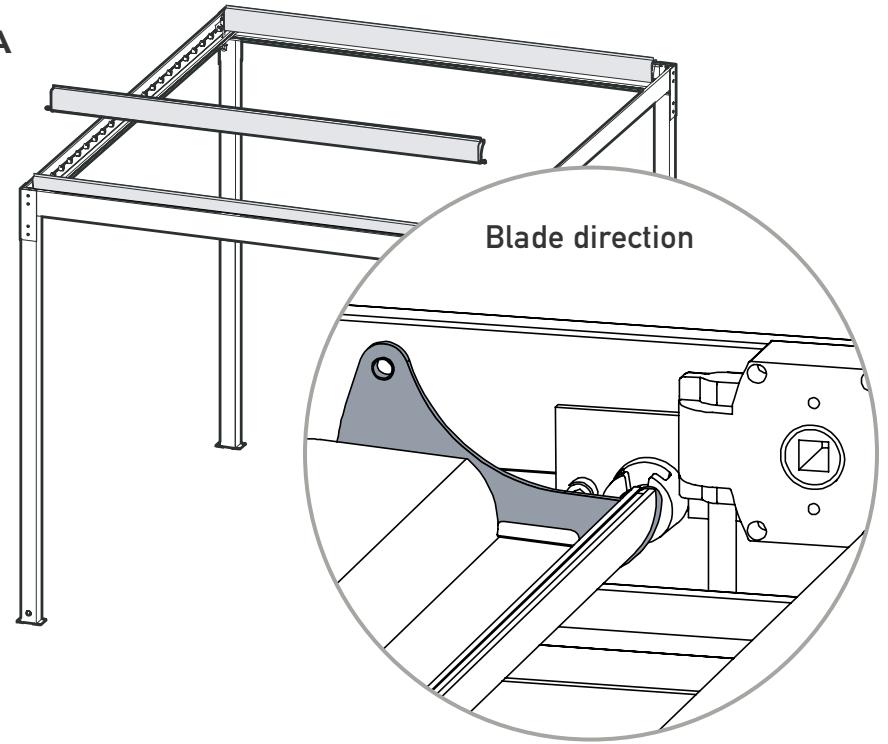
INSTALL THE REST OF THE BLADES

A

Ensure that the blades are in the right direction.
Insert the outside screw inside the last plastic clip
of the right and left rafters.

Press hard until it clips in place.

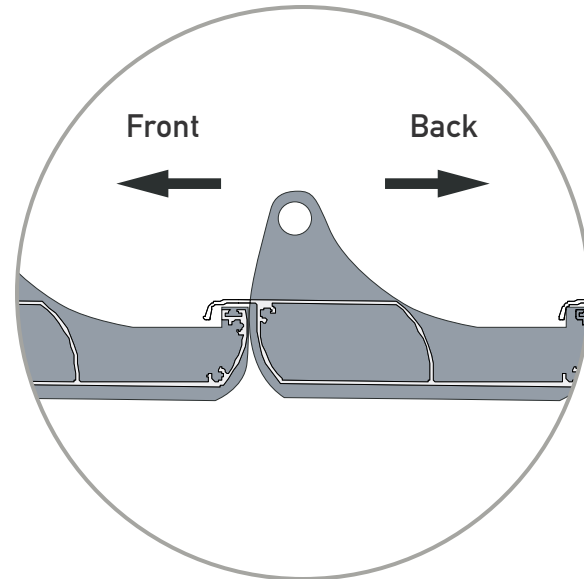
8A



B

Turn the blade so the side plates have their points
looking upward.

8B



9

ATTACH THE MANEUVERING PROFILE & TUBE

A

To attach the arm to the maneuvering profile, align the farthest hole of the maneuvering profile with the end of the maneuvering arm's hole. If the hole is not aligned, turn the tube with the manual crank.

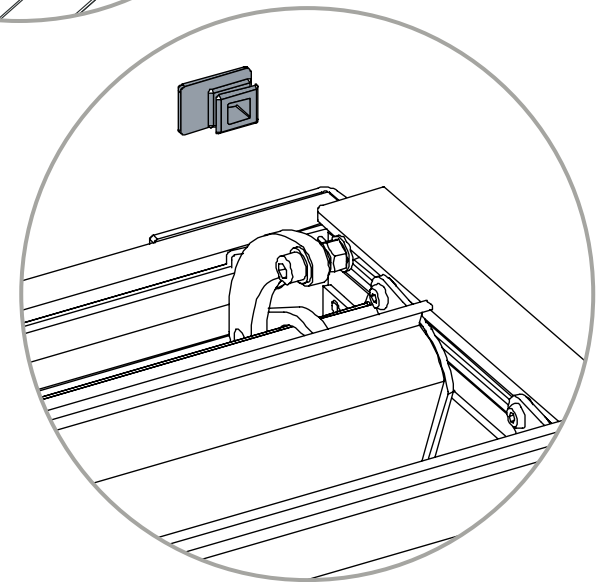
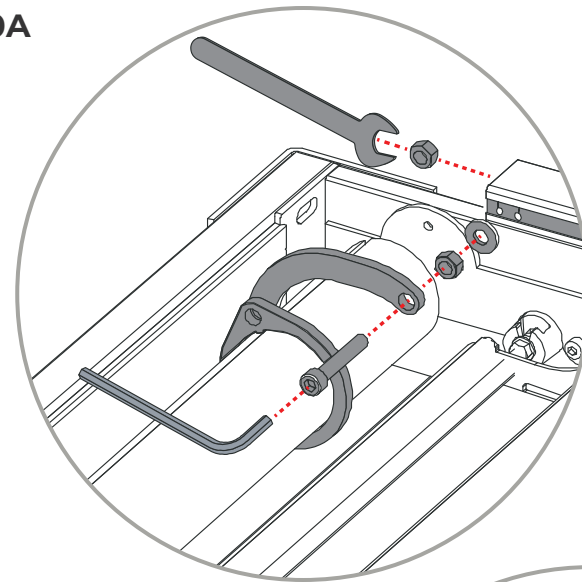
Using E SCREW (DIN912M10X60MM), F WASHER (DIN125M10) and G NUTS (DIN934M10) attach them together on both sides of the pergola.

Secure with the wrench.

B

At the end of the maneuvering profile, insert the black plastic end part

10A



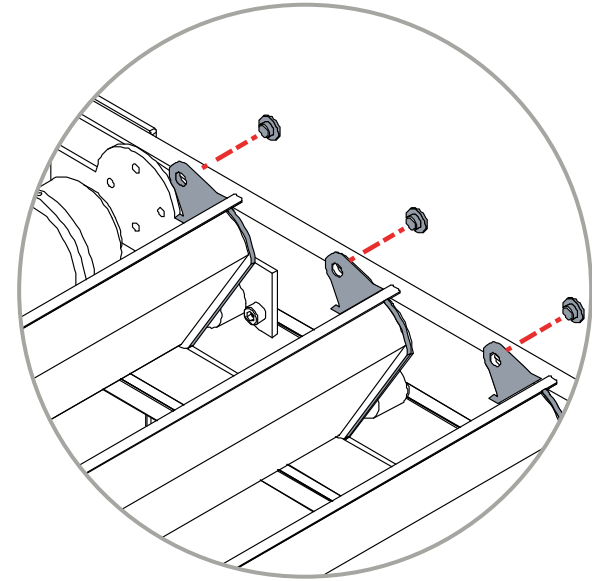
10

INSTALL THE MANEUVERING PROFILE

A

On each end of each blade, insert a white WASHER I (PLB7915). Make sure that the washer is inserted from the outside toward the inside.

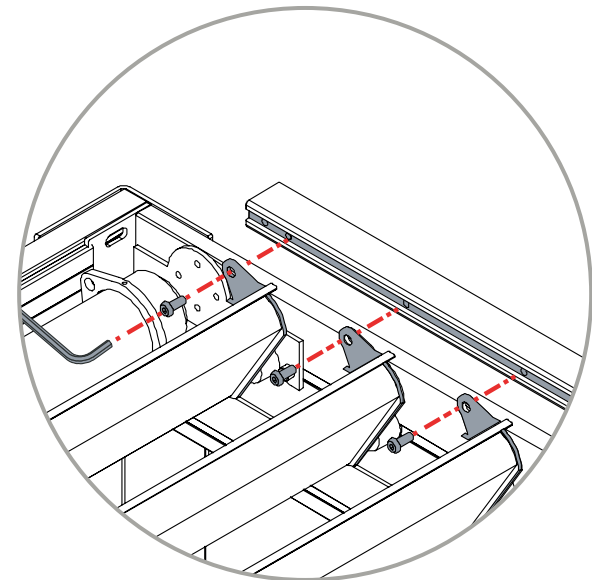
9A



B

Ensuring that the black plastic end of the maneuvering profile is facing the front of the pergola, use the Allen key No.5, screw a H SCREW (DIN7980M8X20MM) on each end of each blade so the maneuvering profile is fixed on every blades of the pergola.

9B



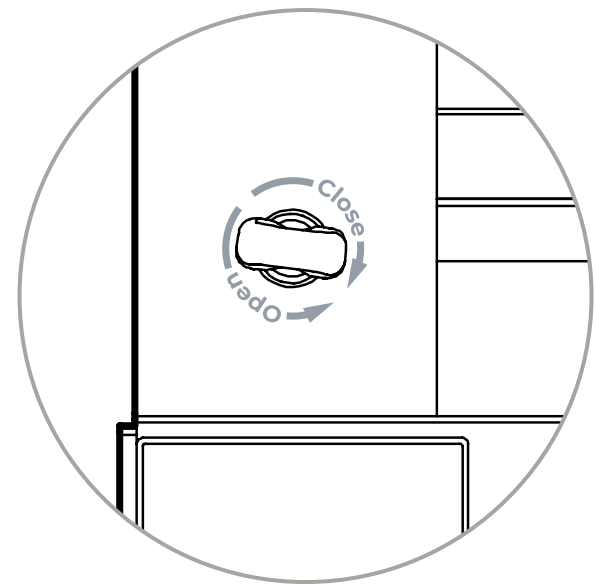
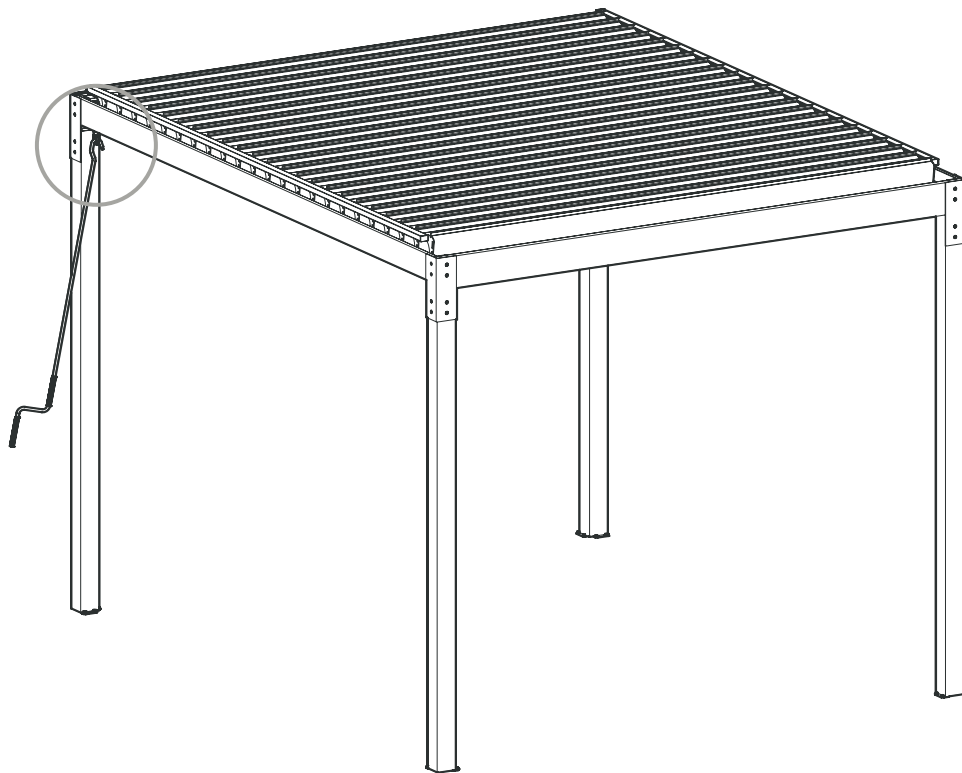
DO NOT TIGHTEN TOO STRONG!

Turn until the screw meets a resistant and stop.

HOW TO USE YOUR PERGOLA

TO OPEN THE BLADES: Insert your manual crank inside the ring and TURN COUNTER CLOCKWISE.

TO CLOSE THE BLADES: Insert your manual crank inside the ring and TURN CLOCKWISE.



WARNING

- Never use the product before its complete fixation. Before using the product, you must be sure that all parts have been installed and tightened correctly.
- Check the flatness of your floor. In the case of a hollow or curved floor, wedge the supports or plates in order to align them correctly. Misalignment can cause malfunction and/or breakage of the product.
- Do not let children play with the control devices. Supervise your children to make sure that they do not play with the blades.
- Pay attention to your fingers when installing and when operating the blades.
- No modification of the design or configuration of the equipment should be made without prior consultation with the manufacturer.
- Never use accessories that are not recommended by the manufacturer. These could create risks for the user and damage the product. Use only original parts and accessories.
- Do not use the product in places subject to vibrations or pulses.
- Use the appropriate fixings according to the material of your floor. Seek advice from a specialist. Fixing hardware is not provided.
- Do not unpack the pergola using a tool that could scratch it.

PRODUCT USAGE

- During rainy days, close the blades to protect your terrace and your furniture.
- Do not use the product if it is damaged.
- Only use this product for its intended use.
- The manufacturer cannot be held responsible for any damage caused by incorrect use or failure to follow instructions.
- Do not hang anything on the frame of the product. It could fall and cause property damage and / or bodily injury.
- Do not hang on from the frame of the product. It could fall and cause property damage and / or bodily injury.
- Make sure the slat apron is clean before opening and closing the pergola.
- Make sure that no foreign body can damage the structure when opening or closing the blades.
- Never put your hands or any part of your body between the blades or between the blades and the frame of the product when operating the latter.
- **Do not install a barbecue under the product and do not light a fire nearby.**

REPAIR AND MAINTENANCE

- Never try to disassemble or repair the product without the required qualifications. Call a professional to carry out the necessary repairs.
- Do not use if repair is required.
- Check the installation frequently throughout the year to decelerate any poor balancing or any signs of wear on the parts.
- Check frequently throughout the year the wall or floor fixings of the product, the tightening screws of the frames, reinforcement cheeks, boards and all other elements.
- Clean the frame at the beginning and end of season. Be careful not to use detergents.

LEGAL NOTICE

Les garanties commerciales n'affectent pas les droits du consommateur en vertu du régime des vices cachés ou de l'obligation de délivrance d'un bien conforme tels que prévus par l'Ordonnance n°2005-136 du 17 février 2005. Les dispositions législatives qui suivent sont reproduites conformément à l'article L211-15 du Code de la consommation.

☐ Article L211-4 du code de la consommation

Le vendeur est tenu de livrer un bien conforme au contrat et répond des défauts de conformité existant lors de la délivrance. Il répond également des défauts de conformité résultant de l'emballage, des instructions de montage ou de l'installation lorsque celle-ci a été mise à sa charge par le contrat ou a été réalisée sous sa responsabilité.

☐ Article L211-5 du code de la consommation

Pour être conforme au contrat, le bien doit :

1° Etre propre à l'usage habituellement attendu d'un bien semblable et, le cas échéant :

- correspondre à la description donnée par le vendeur et posséder les qualités que celui-ci a présenté à l'acheteur sous forme d'échantillon ou de modèle ;
- présenter les qualités qu'un acheteur peut légitimement attendre eu égard aux déclarations publiques faites par le vendeur, par le producteur ou par son représentant, notamment dans la publicité ou l'étiquetage ;

2° Ou présenter les caractéristiques définies d'un commun accord par les parties ou être propre à tout usage spécial recherché par l'acheteur, porté à la connaissance du vendeur et que ce dernier a accepté.

☐ Article 1211-5 du code de la consommation

Article 1211-12 du Code de la consommation

L'action résultant du défaut de conformité est prescrite par deux ans à compter de la délivrance du bien.

☐ Article 1641 du code civil

Le vendeur est tenu de la garantie à raison des défauts cachés de la chose vendue qui la rendent impropre à l'usage auquel on la destine, ou qui diminuent tellement cet usage que l'acheteur ne l'aurait pas acquise, ou n'en aurait donné qu'un moindre prix, s'il les avait connus.

☐ Article 1648 alinéa 1 du code civil

L'action résultant des vices rédhibitoires doit être intentée par l'acquéreur dans un délai de deux ans à compter de la découverte du vice.

TERRA SUMMER
OUTDOOR LIVING SPACES

1-800-515-6652
info@terrasummer.com
terrasummer.com