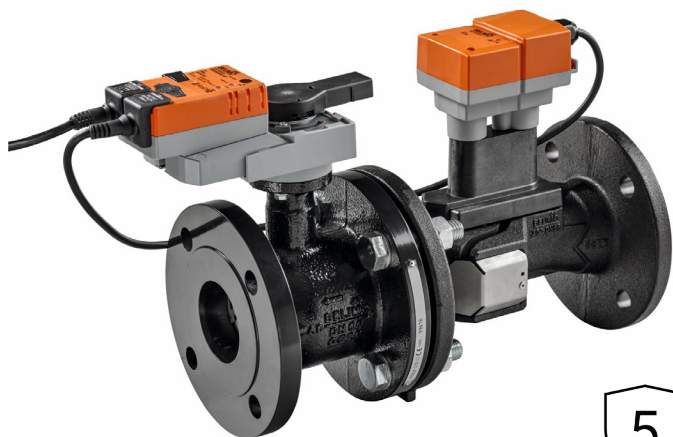


P6600SU-713-250 Technical Data Sheet



Technical Data	
Fluid	chilled or hot water, up to 60% glycol max (open loop/steam not allowed)
Flow characteristic	equal percentage or linear
Valve Size [mm]	6" [150]
Pipe connector	pattern to mate with ANSI 250 flange
Housing	Cast iron - GG 25
Flow measuring pipe	Ductile cast iron - GGG50
Ball	stainless steel
Stem	stainless steel
Stem seal	EPDM (lubricated)
Seat	PTFE
O-ring	Viton
Characterized disc	stainless steel
Package	EPDM
Body Pressure Rating	ANSI Class 250, standard class B
ANSI Class	250
Number of Bolt Holes	12
Differential Pressure Range	5...50 psi or 1...50 psi see flow reductions chart in tech doc
Close-off pressure Δ ps	310 psi
Ambient temperature	-22...122°F [-30...50°C]
Inlet Length to Meet Specified Measurement Accuracy	5X nominal pipe size (NPS)
Ambient humidity	max. 95% r.H., non-condensing
Measuring accuracy flow	±2%*
Control accuracy	±5%
Flow Measurement Repeatability	±0.5%
Sensor Technology	ultrasonic with glycol and temperature compensation
Rangeability Sv	100:1
Power supply for the flow sensor	sensor is powered by the actuator
Weight	252.4 lb [115 kg]
GPM	713
Fluid Temp Range (water)	14...250°F [-10...120°C]
Leakage rate	0%

*All flow tolerances are at 68°F (20°C) & water.

Application

Water-side control of heating and cooling systems for AHUs and water coils. Equal Percentage/ Linear: heating and cooling applications.

Operation

The Electronic Pressure Independent Control Valve is a two-way valve that maintains constant flow regardless of pressure variations in the system.

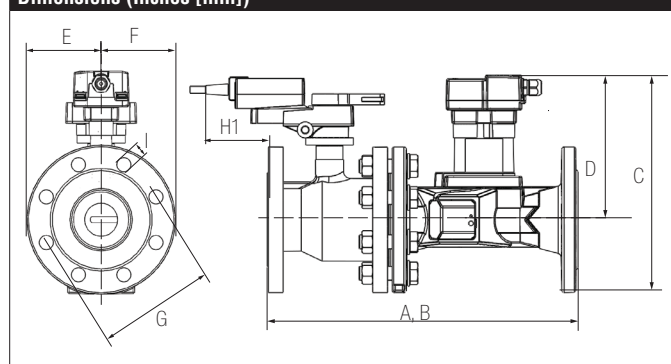
Product Features

Provides constant flow regardless of pressure variations in the system. Maximizes chiller Delta T, preventing energizing additional chillers due to low Delta T. Simplified valve sizing and selection, no Cv calculations required.

Suitable Actuators

	Non-Spring	Electronic fail-safe
P6600SU-713-250	GRB(X)	GKRB(X)

Dimensions (Inches [mm])



A	B	C	D	E	F	G	H1	I
25.7" [653]		15.3" [389]	9.0" [229]	6.3" [160]		10.6" [270]	1" [25]	0.9" [22]

GRX24-EP2-MOD Technical Data Sheet



5-year warranty



Technical Data

Power Supply	24 VAC, ±20%, 50/60 Hz, 24 VDC, -10% / +20%
Power consumption in operation	9.5 W
Transformer sizing	13 VA (class 2 power source)
Electrical Connection	18 GA plenum cable, 3 ft [1 m], with 1/2" conduit connector
Overload Protection	electronic throughout 0...90° rotation
Operating Range	Hybrid via 2...10 V
Input Impedance	100 kΩ (0.1 mA), 500 Ω
Position Feedback	default 2...10 V, VDC variable
Angle of rotation	90°
Torque motor	360 in-lb [40 Nm]
Direction of motion motor	reversible with pc tool
Position indication	integrated into handle
Manual override	external push button
Running Time (Motor)	90 s
Ambient humidity	max. 95% r.H., non-condensing
Ambient temperature	-22...122°F [-30...50°C]
Storage temperature	-40...176°F [-40...80°C]
Degree of Protection	IP54, NEMA 2, UL Enclosure Type 2
Housing material	UL94-5VA
Agency Listing	cULus acc. to UL60730-1A/-2-14, CAN/CSA E60730-1:02, CE acc. to 2014/30/EU and 2014/35/EU
Noise level, motor	45 dB(A)
Servicing	maintenance-free
Quality Standard	ISO 9001
Weight	4.85 lb [2.2 kg]

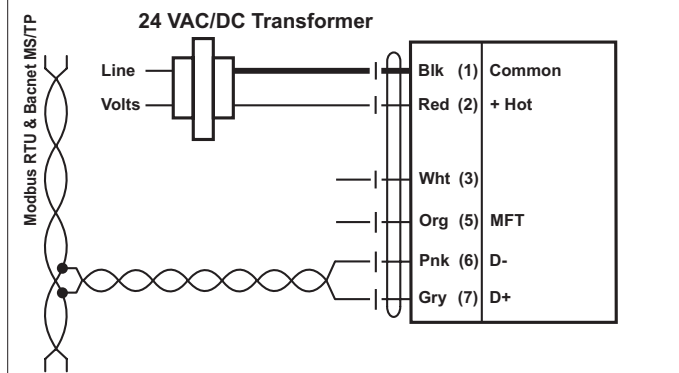
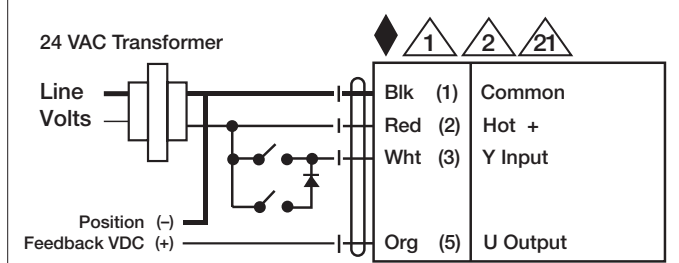
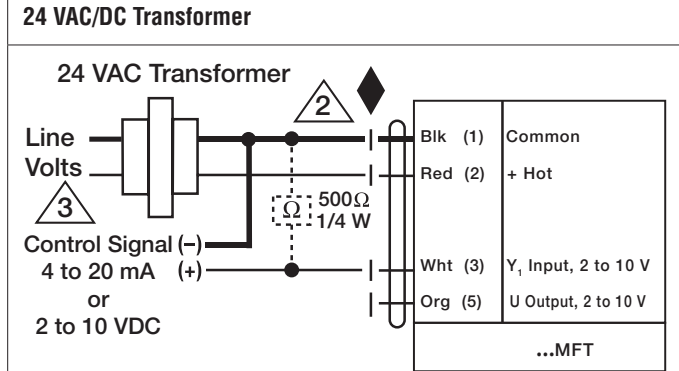
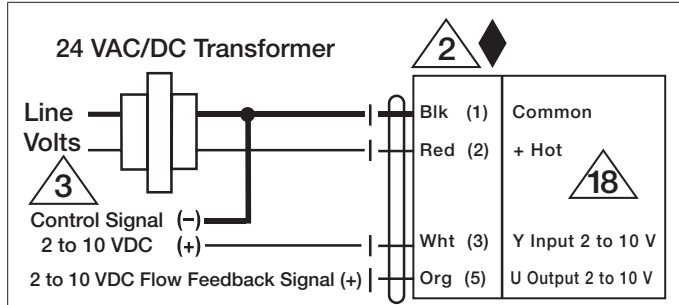
†Rated Impulse Voltage 800V, Type action 1.B, Control Pollution Degree 3.

‡Rated Impulse Voltage 800V, Type of action 1.AA, Control Pollution Degree 3

Wiring Diagrams

INSTALLATION NOTES

- Provide overload protection and disconnect as required.
- Actuators may be connected in parallel. Power consumption and input impedance must be observed.
- Actuators may also be powered by 24 VDC.
- Actuators are provided with color coded wires. Wire numbers are provided for reference.
- Actuators are provided with a numbered screw terminal strip instead of a cable.
- IN4004 or IN4007 diode required
- Meets cULus requirements without the need of an electrical ground connection.
- WARNING! LIVE ELECTRICAL COMPONENTS!**
During installation, testing, servicing and troubleshooting of this product, it may be necessary to work with live electrical components. Have a qualified licensed electrician or other individual who has been properly trained in handling live electrical components perform these tasks. Failure to follow all electrical safety precautions when exposed to live electrical components could result in death or serious injury.

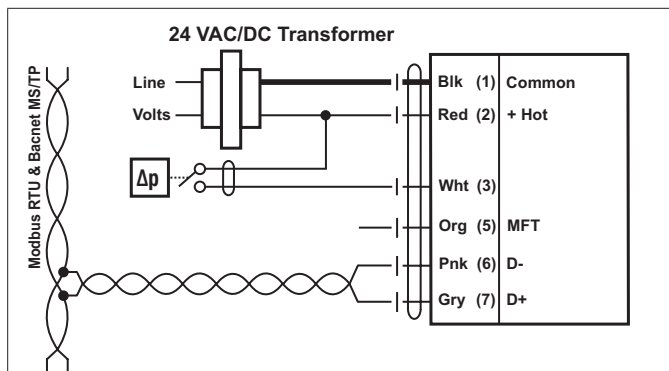


Modbus & BACnet control for Non-Spring Return

Note:

Modbus signal assignment: Power supply and communication are not galvanically isolated.
 C₁ = D₋ = A Interconnect ground signal of the devices.
 C₂ = D₊ = B

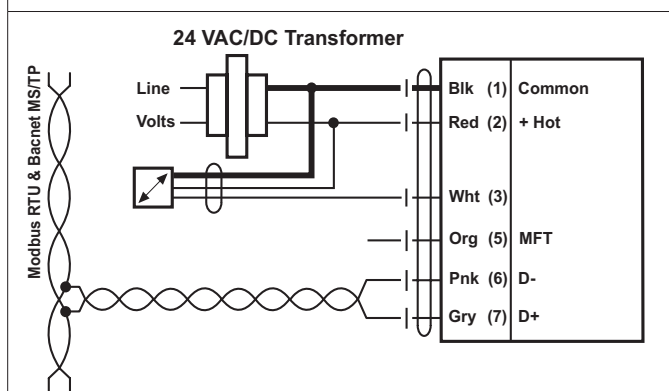
GRX24-EP2-MOD Technical Data Sheet



Modbus & BACnet control with switching contact for Non-Spring Return

Requirements for switching contact:

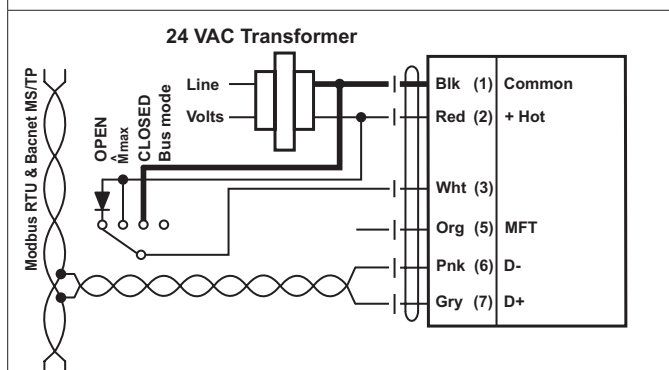
The switching contact must be able to accurately switch a current of 16 mA at 24 V.



Modbus & BACnet control with active sensor for Non-Spring Return

Possible input voltage range:

0...32 V (resolution 30 mV)



Modbus & BACnet control with local override (AC only, analog override) for Non-Spring Return

Note:

If no sensor is integrated, then connection 3 (Y) is available for the protective circuit of a local override control. Options: CLOSED, Vmax, OPEN