

FSTF120-S.1 US Technical Data Sheet

On/Off, Spring Return, AC 120 V, Auxiliary Switch



Technical Data	
Power Supply	120 VAC, ±10%, 50/60 Hz
Power consumption in operation	2 W, 3.5 VA
Power consumption in rest position	1.5 W, 2.5 VA
Shaft Diameter	1/4...1/2" round, centers on 1/2"
Electrical Connection	(2) 18 GA appliance cables with 1/2" conduit connectors, 3 ft [1 m].
Overload Protection	electronic throughout 0...95° rotation
Electrical Protection	actuators are double insulated
Angle of rotation	95°
Torque motor	18 in-lb [2 Nm]
Direction of motion motor	selectable by ccw/cw mounting
Direction of motion fail-safe	reversible with cw/ccw mounting
Position indication	Mechanical
Running Time (Motor)	75 s @ 250°F [121°C]
Running time fail-safe	<25 s @ 32...122°F [0...50°C]
Ambient humidity	max. 95% r.H., non-condensing
Ambient temperature	32...122°F [0...50°C]
Storage temperature	-40...176°F [-40...80°C]
Degree of Protection	IP42, NEMA 2, UL Enclosure Type 2
Housing material	UL94-5VA
Agency Listing	cULus acc. to UL60730-1A/-2-14, CAN/CSA E60730-1:02, Listed to UL 2043 - suitable for use in air plenums per Section 300.22(C) of the NEC and Section 602 of the IMC. California State Fire Marshal Listing 3210-1593:104
Noise level, motor	45 dB(A)
Noise level, fail-safe	62 dB(A)
Servicing	maintenance-free
Quality Standard	ISO 9001
Weight	1.9 lb [0.70 kg]
Auxiliary switch	2 x SPST, 3 A resistive (0.5 A inductive) @ AC 250 V, one set at 10°, one set at 80°

Part no. Clamp side spring-return
 FSTF120 US CW
 FSTF120.1 US CW (bulk pack)
 FSTF120.1 CCW CCW (bulk pack)
 FSTF120-S US CW CW
 FSTF120-S.1 US CW (bulk pack)
 FSTF120-S.1 CCW CCW (bulk pack)
 FSTF24-S.1 US CW (bulk pack)
 † UL File XAPX.E108966

Torque 18 in-lb, 250°F for 30 min, for fire and smoke dampers

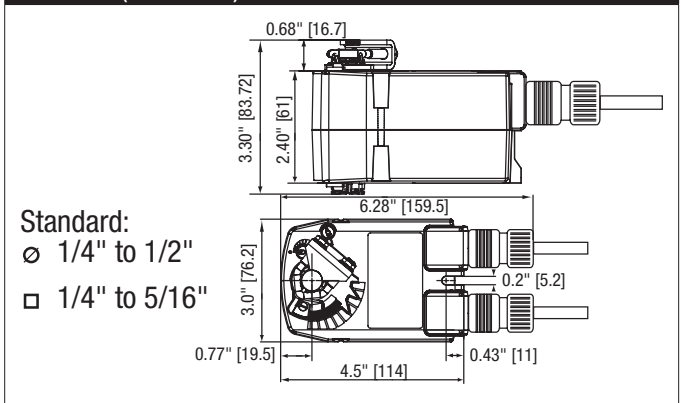
Application

The type FSTF spring-return actuator is intended for the operation of smoke and combination fire and smoke dampers in ventilation and air-conditioning systems. The actuator will meet requirements of UL555 and UL555S when tested as an assembly with the damper. Square footage of operating damper will depend on make and model per damper manufacturer UL testing.

Operation

Mounting of the actuator to the damper axle shaft or jackshaft is via a cold-weld clamp. Teeth in the clamp and V-bolt dig into the metal of both solid and hollow shafts maintaining a perfect connection. The specially designed clamp will not crush hollow shafts. The bottom end of the actuator is held by an anti-rotation strap or by a stud provided by the damper manufacturer. The actuator is mounted in its fail safe position with the damper blade(s) typically closed. Upon applying power, the actuator drives the damper to the open position. The internal spring is tensioned at the same time. If the power supply is interrupted, the spring moves the damper back to its fail-safe position.

Dimensions (Inches[mm])



Safety Notes

Screw a conduit fitting into the actuator's bushing. Jacket the actuator's input and output wiring with suitable flexible conduit. Properly terminate the conduit in a suitable junction box.

Retrofit Safety Note

Use of the FSTF for replacement of other makes of actuators is limited in damper area. The FSLF is preferred for direct coupled applications. The FSTF may be applied for linkage applications on dampers 1.5 sq.ft. and smaller at velocities under 2000 fpm.

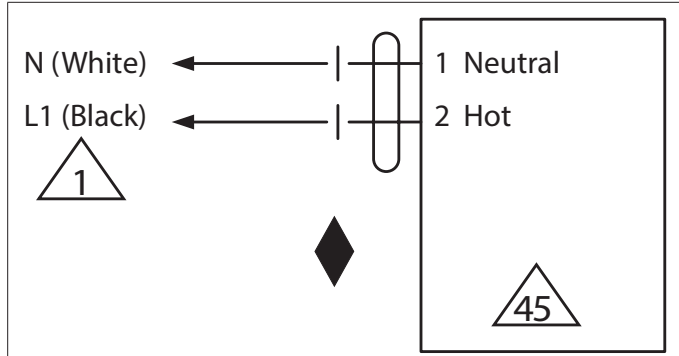
Accessories	
KH-TF US	TFB(X) crankarm with 5/16" slot.
KH-TF-1 US	TFB(X) crankarm with 1/4" slot.
TF-P	Anti-rotation bracket TF/NKQ/AM/NM/LM.
TOOL-06	8 mm and 10 mm wrench.
ZG-TF2	TFB(X) crankarm adaptor kit (T bracket included).
ZG-TF112	TFB(X) crankarm adaptor kit (includes ZG-113).
ZS-100	Weather shield - galvaneal 13x8x6" (LxWxD).
ZS-150	Weather shield - PC w/ foam seal 16x8-3/8x4" (LxWxD).
BAE165 US	165° F electric thermal sensor, SPST, normally closed.

Typical Specification

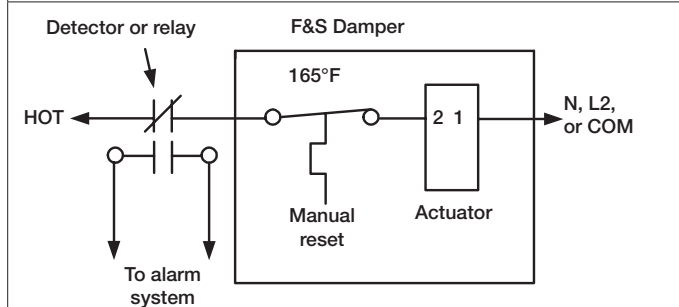
All smoke and combination fire and smoke dampers shall be provided with Belimo FSTF, FSLF, FSNF, or FSAF actuators. All substitutions must be approved before submission of bid. Damper and actuator shall have UL 555S Listing for 250°F and/or 350°F. Actuator shall have been tested to UL 2043 per requirements of IMC 602.2 and NEC 300.22 (c). Where position indication is required -S models with auxiliary switches or damper blade switches will be provided per code requirements.

Wiring Diagrams

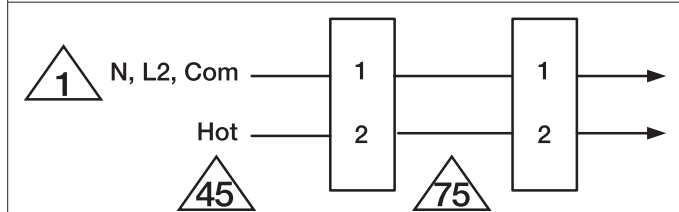
- Provide overload protection and disconnect as required.
- Actuators may be powered in parallel. Power consumption must be observed.
- S4 makes to S6 when actuator is powered open.
- Auxiliary switches are for end position indication or interlock control.
- Double insulated.
- Ground present on some models.
- Meets cULus requirements without the need of an electrical ground connection.



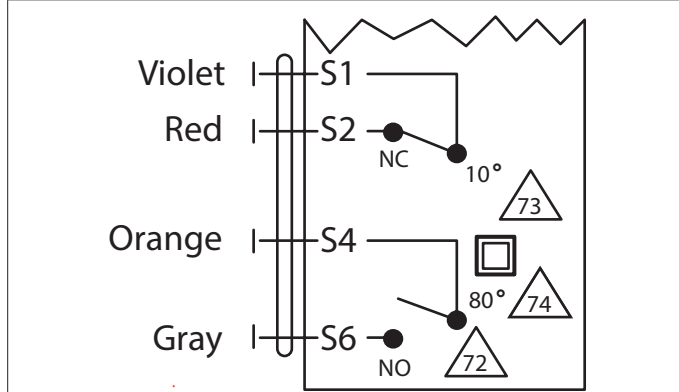
120 VAC



Typical containment damper control wiring



Parallel Actuator Wiring



Auxiliary Switch