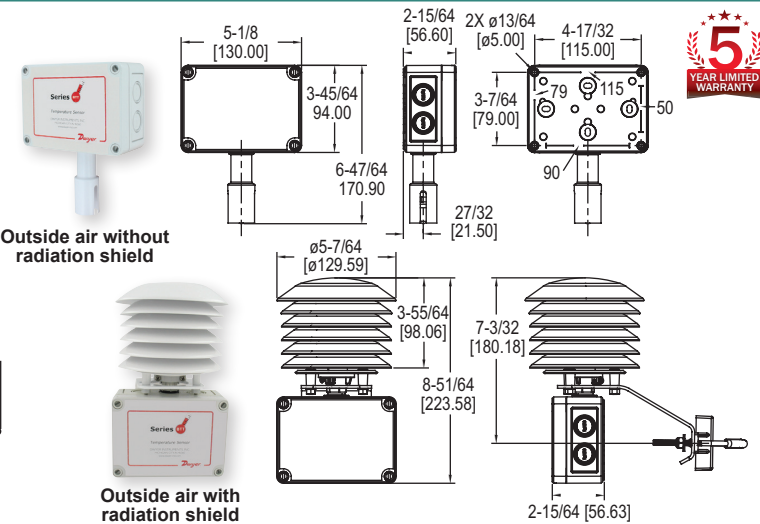
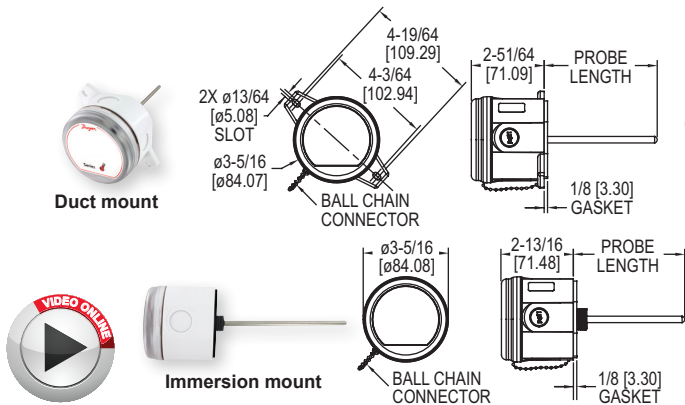


TEMPERATURE TRANSMITTERS

Current or Voltage Output, NEMA 4X Enclosures



The **Series BTT Temperature Transmitters** offer transmitter output signals with the same form and fit as our popular TE thermistor and RTD sensors for building HVAC applications. Thermowells are required when using immersion models in liquid applications.

FEATURES/BENEFITS

- Duct, immersion, and outside air models available
- Radiation shield available for mounting in direct sunlight
- Transmitter output allows for longer wire runs than standard thermistor sensors

APPLICATIONS

- Building automation system temperature monitoring

MODEL CHART					
Example	BTT	-D	04	-1	BTT-D04-1
Series	BTT				Temperature transmitter
Mounting Configuration		D			Duct mount
		I			Immersion mount
		O			Outside air
		R			Outside air with radiation shield
Probe Length*			25		2.5" (required for "O" and "R" models)
			04		4"
			06		6"
			08		8"
			12		12"
			18		18"
Output				1	4 to 20 mA
				2	0 to 10 V
Options				Blank	None
				FC	Factory calibration certificate
				NIST	NIST calibration certificate

*For BTT-I models, actual probe length is approximately 0.75" longer than listed probe length to ensure maximum immersion into thermowells.

SPECIFICATIONS

Temperature Sensor: Pt1000 RTD.
Range: -40 to 140°F (-40 to 60°C).
Temperature Limits: Operating: -40 to 302°F (-40 to 150°C).
Accuracy: ±0.5°C @ 25°C.
Thermal Effect: ±0.01%/°C.
Response Time: 100 ms.
Wetted Materials: All models: 304 SS (probe), polycarbonate (housing); Duct and immersion models: Neoprene (gasket); Outside air models: Nylon (insert), silicone (O-ring).
Process Connection: 1/2" NPT (immersion models only).
Electrical Connection: Removable terminal block, knocks out for conduit fitting.
Conduit Connection: 1/2" NPT.
Probe Lengths: 2.5 to 18" (depending on configuration).
Power Requirements: 13-36 VDC for current models, 13-36 VDC or 16-28 VAC for voltage models.
Output Signal: 4-20 mA or 0-10 VDC (depending on model).
Enclosure Rating: NEMA 4X (IP66) (immersions models require thermowell).
Weight: 5.11 oz (145 g) (duct/immersion); 8.4 oz (238 g) (OSA without radiation shield); 1 lb 7.4 oz (663.4 g) (OSA with radiation shield).
Agency Approvals: CE.

THERMOWELLS - WELDED

Model	Material	Connection (Internal/External)	Insertion Length
TE-TNS-N253N-00	304 SS	1/2" NPSM/1/2" NPT	2.5"
TE-TNS-N043N-00	304 SS	1/2" NPSM/1/2" NPT	4"
TE-TNS-N063N-00	304 SS	1/2" NPSM/1/2" NPT	6"
TE-TNS-N083N-00	304 SS	1/2" NPSM/1/2" NPT	8"
TE-TNS-N123N-00	304 SS	1/2" NPSM/1/2" NPT	12"
TE-TNS-N183N-00	304 SS	1/2" NPSM/1/2" NPT	18"

Temperature Transmitters