

Duct Averaging Temperature Sensor

The Pt1000 version is supplied with one continuous sensing element across the whole length of the probe to ensure optimum accuracy and eliminate air stratification problems.

NTC and Ni1000 are industry standard multi-point sensing elements.


Type Overview

Type	Output signal	Probe length
01MT-5B4	Pt1000	10 ft [3 m]
01MT-5B5	Pt1000	20 ft [6 m]
01MT-5E4	Ni1000 (JCI)	10 ft [3 m]
01MT-5E5	Ni1000 (JCI)	20 ft [6 m]
01MT-5L4	NTC10k2	10 ft [3 m]
01MT-5L5	NTC10k2	20 ft [6 m]
01MT-5M4	NTC10K3	10 ft [3 m]
01MT-5M5	NTC10K3	20 ft [6 m]
01MT-5Q4	NTC20K	10 ft [3 m]
01MT-5Q5	NTC20K	20 ft [6 m]

Technical Data

Electrical Data	Electrical connection	Removable spring loaded terminal block max. 2.5 mm ²
	Cable entry	Cable gland with strain relief Ø6...8 mm (1/2" NPT conduit adapter included)
Functional Data	Output signal passive temperature	Pt1000 Ni1000 (JCI) NTC10k2 NTC10k3 NTC20k
	Application	air
Measuring Data	Measuring values	temperature
	Measuring range temperature	Pt.., Ni.. : -30...160°F [-35...70°C] NTC.. : -30...120°F [0...50°C]
	Accuracy temperature passive	passive sensors depending on used type Pt.. = ±0.5°F @ 32°F [±0.3°C @ 0°C] Ni.. = ±0.7°F @ 32°F [±0.4°C @ 0°C] NTC.. = ±0.35°F @ 77°F [±0.2°C @ 25°C]
Materials	Time constant t (63%) in the air duct	typical 100 s @ 0 m/s
	Cable gland	PA6, black
	Housing	cover: lexan, orange base: lexan, orange seal: 0467 NBR70, black UV resistant

Safety Data	Ambient humidity	max. 95% r.H., non-condensing
	Ambient temperature	-30...120°F [-35...50°C]
	Fluid temperature	Pt., Ni.: -30...160°F [-35...70°C] NTC.: 30...120°F [0...50°C]
	Housing surface temperature	max. 195°F [90°C]
	Protection class IEC/EN	III safety extra-low voltage (selv)
	Protection class UL	UL Class 2 Supply
	EU Conformity	CE Marking
	Certification IEC/EN	IEC/EN 60730-1
	Certification UL	cULus acc. to UL60730-1A/-2-9, CAN/CSA E60730-1:02/-2-9
	Degree of protection IEC/EN	IP65
Quality Standard	ISO 9001	

Safety Notes


This device has been designed for use in stationary heating, ventilation and air-conditioning systems and must not be used outside the specified field of application. Unauthorised modifications are prohibited. The product must not be used in relation with any equipment that in case of a failure may threaten humans, animals or assets. Ensure all power is disconnected before installing. Do not connect to live/operating equipment.

Only authorised specialists may carry out installation. All applicable legal or institutional installation regulations must be complied during installation.

The device contains electrical and electronic components and must not be disposed of as household refuse. All locally valid regulations and requirements must be observed.

Remarks

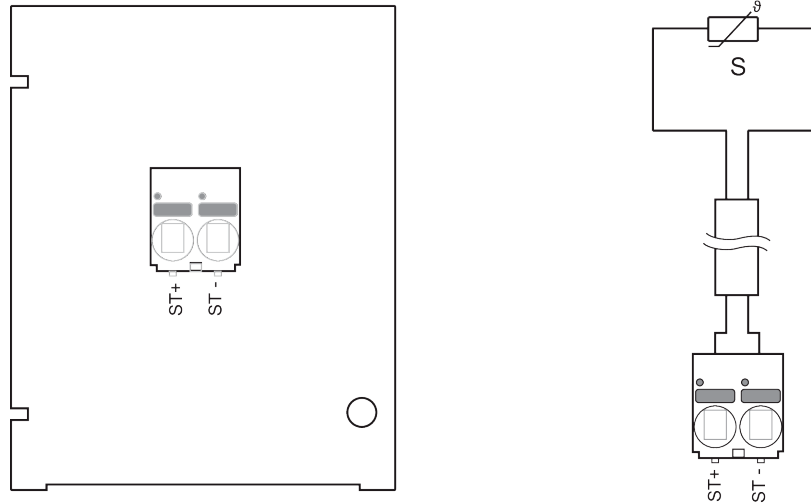
General Remarks Concerning Sensors Due to self-heating with 2 wire passive sensors, the supply wire current affects the measurement accuracy, so it should not exceed 1 mA.

When using lengthy connecting cables (depending on the cross section used), the cable resistance must be taken into account. The lower the impedance of the sensor used, the greater the effect of the line resistance on the measurement, because it generates an offset.

Scope of delivery

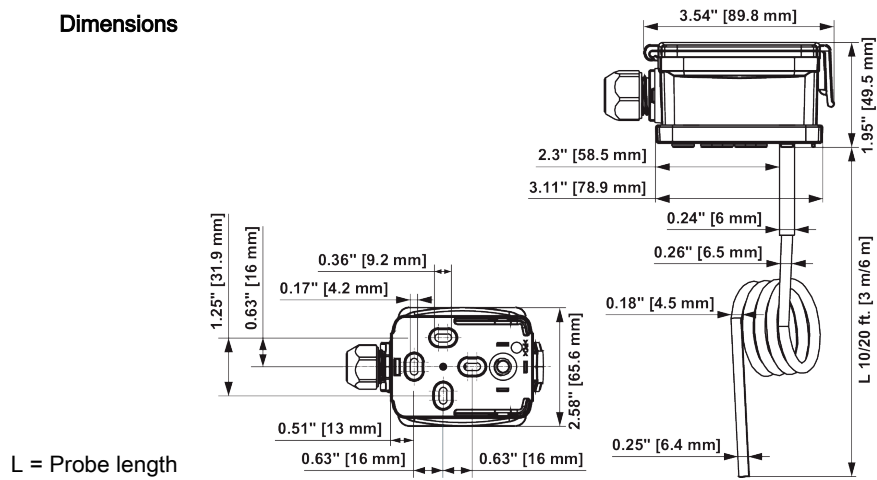
Scope of delivery	Description	Type
	Mounting kit, with mounting brackets	A-22D-A08
	Mounting plate S housing	A-22D-A09
	1/2" NPT conduit adapter	

Wiring Diagram



Dimensions

Dimensions



L = Probe length

Type	Probe length	Weight
01MT-5B4	10 ft [3 m]	0.49 lb [0.22 kg]
01MT-5B5	20 ft [6 m]	0.55 lb [0.25 kg]
01MT-5E4	10 ft [3 m]	0.49 lb [0.22 kg]
01MT-5E5	20 ft [6 m]	0.55 lb [0.25 kg]
01MT-5L4	10 ft [3 m]	0.49 lb [0.22 kg]
01MT-5L5	20 ft [6 m]	0.55 lb [0.25 kg]
01MT-5M4	10 ft [3 m]	0.49 lb [0.22 kg]
01MT-5M5	20 ft [6 m]	0.55 lb [0.25 kg]
01MT-5Q4	10 ft [3 m]	0.49 lb [0.22 kg]
01MT-5Q5	20 ft [6 m]	0.55 lb [0.25 kg]