

# DESIGNER



## Giovanni Sforza

At the age of 13, the Stylist Giovanni Sforza began working as a leather cutter, learning the first rudiments of the "art" of creating a sofa set. In 1990, Giovanni started his first business venture. In just a short time, he emerged as a leader in this field, recognized for the quality and efficiency of his production design.



Fold here



0% Financing Available

2020 | [casafurnitureusa.com](http://casafurnitureusa.com)  
All rights reserved | 407.567.0020

**casa**  
MODERN FURNITURE

Scan me with  
your camera



**BARI**  
SECTIONAL

## DESCRIPTION

Update the look of your modern living room without straying too far from what you love about transitional furniture with this Bari Sectional Recliner that comes in a classic L-shaped design and features five spacious cushions to rest on. The upholstery is a 100% genuine Italian leather which color scheme fits in any modern home.

- Classic L-shaped sofa sectional.
- Made with 100% genuine Italian leather.
- Available in two neutral hues to fit within any color scheme.

## MATERIAL

Leather, Wood, Foam, Metal, Stainless Steel

## DIMENSIONS

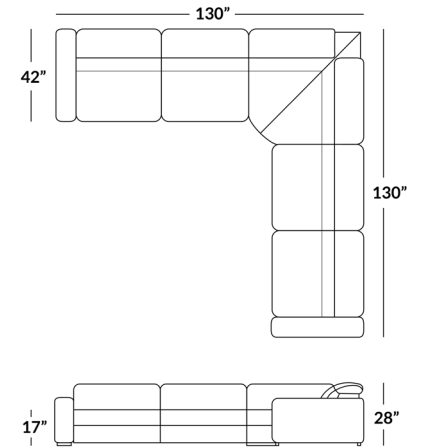
Total Weight: 636lb



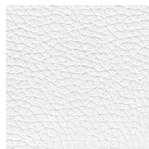
### BOX DIMENSIONS

Box 1: 52 x 30 x 49 | 160 lb  
Box 2: 52 x 30 x 49 | 160 lb  
Box 3: 43 x 18 x 30 | 83 lb  
Box 4: 43 x 18 x 30 | 83 lb  
Box 5: 49 x 51 x 30 | 150 lb

### FULLY ASSEMBLED



### AVAILABLE IN:



White|Leather



Light Gray|Leather

## PRODUCT CARE

### Italian leather

Clean dirt or stains on genuine leather with a clean cloth that has been lightly dampened with leather cleaning solution. Follow with a dry, soft cloth for best results. In order to maintain and upkeep leather make sure every 60 days to apply leather protector. This process helps keeps the moisture in the leather.

- Important things to remember:
- Leather will crease, wrinkle, and stretch with regular use. This is normal for all leather products.
- Protect your leather by covering your windows with blinds and curtains as sunlight can cause discoloration.

### Stainless Steel

To remove surface stains, use stainless steel cleaner or glass cleaner with no ammonia. Wipe the stainless-steel surface clean with a cloth dampened with the solution then use a clean cloth to dry the surface completely. Important things to remember:

- Always use a soft, dry cloth to finish and dry stainless steel
- Clean stainless-steel at least once every 60 days.
- Keep the bases of chrome polish/finished products away from pets as their bodily fluids may cause damage