

DESIGNER



Marcelo Ligieri

There is no limit to what inspires me while designing. Modern design is practical and straight-forward yet flexible and organic. As furniture is an extension of oneself, I feel a responsibility to reflect the modern image in all its glory.



Fold here



0% Financing Available

2020 | casafurnitureusa.com
All rights reserved | 407.567.0020



Scan me with
your camera



V E N E C E
COFFEE TABLE

DESCRIPTION

Add a sense of modern elegance to your living space with the Venecé Coffee Table, a gorgeous coffee table featuring a sleek, light gray rectangular top and elegant wooden ebony legs that cross at the center to provide a beautiful base. It is sturdy, spacious and ideal for any modern living area.

- Clean contemporary design.
- Made with sturdy, strong materials that are meant to last.
- Neutral tones fit within any color scheme.

MATERIAL

Composite Wood, Natural Veneer Wood, Lacquer

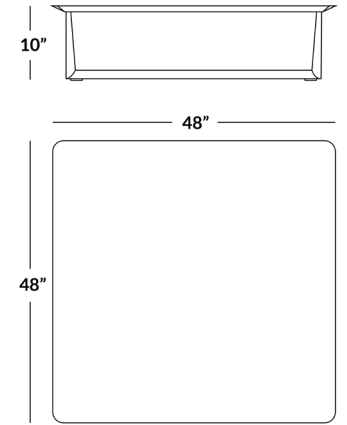
DIMENSIONS

Total Weight: 55lb



BOX DIMENSIONS

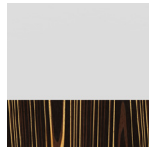
Box 1: 48 x 48 x 11 | 55 lb



FULLY ASSEMBLED



AVAILABLE IN:



Light Gray|Ebony

PRODUCT CARE

Solid Wood

Use a soft and slightly dampened cloth to clean Solid Wood furniture. Follow with a clean, dry cloth immediately for best results. To repair scratches to wood, apply a colorless wax. Test wax on a small inconspicuous area first before applying to the rest of the wood.

Important things to remember:

- Do not use chemical bleaches.
- Do not use glass cleaner.
- Keep Solid wood away from pets as their bodily fluids may cause damage, or they may scratch finish.
- Avoid contact with acidic liquids (e.g. sodas, vinegar, acidic cleaners) to prevent damage.

Veneer Wood

Use a soft and slightly dampened cloth to clean veneer furniture. Follow with a clean, dry cloth immediately for best results. To repair scratches to veneer, apply a colorless wax. Test wax on a small inconspicuous area first before applying to the rest of the wood.

Important things to remember:

- Do not use chemical bleaches.
- Do not use glass cleaner.
- Keep veneer away from pets as their bodily fluids may cause damage, or they may scratch finish.
- Avoid contact with acidic liquids (e.g. sodas, vinegar, acidic cleaners) to prevent damage.