

DESIGNER



Marcelo Ligieri

There is no limit to what inspires me while designing. Modern design is practical and straight-forward yet flexible and organic. As furniture is an extension of oneself, I feel a responsibility to reflect the modern image in all its glory.



Fold here



0% Financing Available

2020 | casafurnitureusa.com
All rights reserved | 407.567.0020



Scan me with
your camera



OSLO
SIDE TABLE

DESCRIPTION

Create a more artistic looking space in your living area with this Oslo Side table. The table features an asymmetrical base that supports the circular tabletop on top. It comes in an ebony color with beautiful modern marbling details.

- Set of two gorgeous side tables completes any living space.
- Dark ebony hue fits into the decor of any room.
- Crafted with premium materials meant to last generations.

MATERIAL

Composite Wood, Natural Veneer Wood

DIMENSIONS

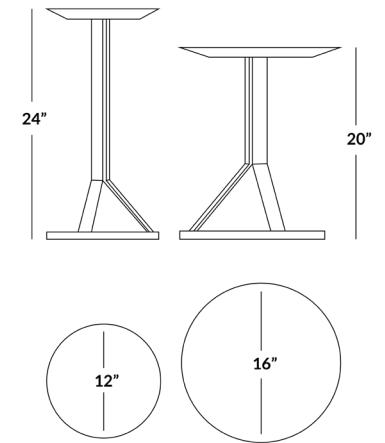
Total Weight: 30lb



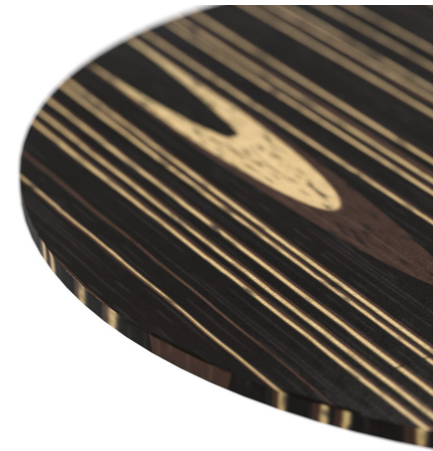
BOX DIMENSIONS

Box 1: 20 x 20 x 24 | 15 lb

Box 2: 20 x 20 x 20 | 15 lb



FULLY ASSEMBLED



AVAILABLE IN:



Gray|Ebony|Veneer Wood

PRODUCT CARE

Veneer

Use a soft and slightly dampened cloth to clean veneer furniture. Follow with a clean, dry cloth immediately for best results. To repair scratches to veneer, apply a colorless wax. Test wax on a small inconspicuous area first before applying to the rest of the wood.

Important things to remember:

- Do not use chemical bleaches.
- Do not use glass cleaner.
- Keep veneer away from pets as their bodily fluids may cause damage, or they may scratch finish.
- Avoid contact with acidic liquids (e.g. sodas, vinegar, acidic cleaners) to prevent damage.

Metal

For metal care, use a dry or lightly dampened soft cloth. For heavily soiled metal, clean with mild soap and water. If using a damp cloth, dry with a new cloth immediately after.

Important things to remember:

- For best results, use a microfiber cloth
- Clean metal frequently. Soiled metal may become corroded.
- Do not use glass cleaner to clean metal.