



Fold here

0% Financing Available

2020 | casafurnitureusa.com
All rights reserved | 407.567.0020



Scan me with
your camera



MILAN

BED

DESCRIPTION

Add warmth to your contemporary home with the gorgeous Milan Bed featuring a clean and angled body made of premium warm wood and a headboard with a raised section that is softly illuminated from underneath providing a comforting accent. Confidently supporting the bed is a set of polished stainless-steel legs.

- Clean contemporary design.
- Warm veneer wood composition.
- Unique illuminated headboard provides comforting accent.

MATERIAL

Composite Wood, Natural Oak Veneer Wood, LED, Stainless Steel

DIMENSIONS

Total Weight: 263lb



BOX DIMENSIONS

KING

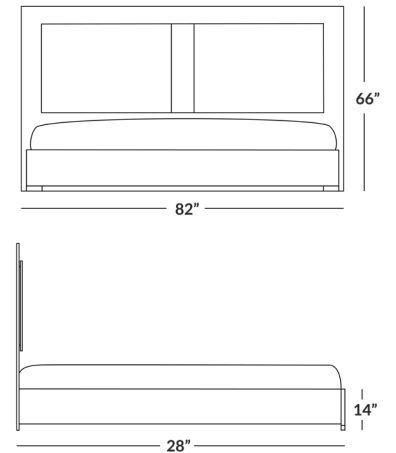
Box 1: 86 x 59 x 4 | 154 lb

Box 2: 84 x 15 x 9 | 108 lb

Box 3: 9 x 6 x 5 | 1 lb

ASSEMBLY

30 MIN



MILAN COLLECTION: *Nightstand | Dresser | Bed*

AVAILABLE IN:



Oak Gray|Matte

PRODUCT CARE

Veneer

Use a soft and slightly dampened cloth to clean veneer furniture. Follow with a clean, dry cloth immediately for best results. To repair scratches to veneer, apply a colorless wax. Test wax on a small inconspicuous area first before applying to the rest of the wood.

Important things to remember:

- Do not use chemical bleaches.
- Do not use glass cleaner.
- Keep veneer away from pets as their bodily fluids may cause damage, or they may scratch finish.
- Avoid contact with acidic liquids (e.g. sodas, vinegar, acidic cleaners) to prevent damage.

Stainless Steel

To remove surface stains, use stainless steel cleaner or glass cleaner with no ammonia. Wipe the stainless-steel surface clean with a cloth dampened with the solution then use a clean cloth to dry the surface completely.

Important things to remember:

- Always use a soft, dry cloth to finish and dry stainless steel
- Clean stainless-steel at least once every 60 days.
- Keep the bases of chrome polish/finished products away from pets as their bodily fluids may cause damage.