

Fold here

0% Financing Available

2020 | casafurnitureusa.com
All rights reserved | 407.567.0020



Scan me with
your camera



FRANCIS

SQUARE DINING TABLE

DESCRIPTION

Coming Soon

MATERIAL

Lacquer Finish, Glass

DIMENSIONS

Total Weight: Coming Soon

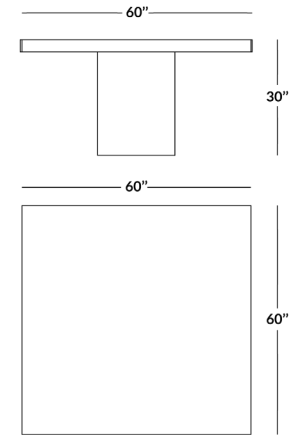


BOX DIMENSIONS

COMING SOON

ASSEMBLY

MIN



FRANCIS COLLECTION: *Coffee Table | Dining Table*

AVAILABLE IN:



White | Glass

PRODUCT CARE

Lacquer

Use a dry, soft cloth to dust lacquer furniture. For heavily soiled furniture, use a mild mixture of soap and water—only do this sparingly. Too much soap or using soap too frequently will ultimately damage the lacquer finish.

Important things to remember:

- Always wipe in the direction of the grain.
- Do not use furniture polish as this may damage lacquered furniture.
- Do not use alcohol products, as this may dissolve the lacquer finish.
- Wipe up any spills immediately. Prolonged exposure to colored liquids can stain furniture.

Glass

Use either a lint-free towel or a simple paper towel and dampen with high-quality glass cleaner. Wipe dry with a fresh paper towel after cleaning to reveal a streak-free shine.

Important things to remember:

- Never use glass cleaner on anything other than glass.
- For heavily soiled glass, clean glass with a wet cloth before using glass cleaner.