



Fold here

0% Financing Available

2020 | casafurnitureusa.com
All rights reserved | 407.567.0020



Scan me with
your camera



ANN
BARSTOOL

DESCRIPTION

Complete your bar area or breakfast nook with the comfortable and stylish Ann Barstool. These barstools feature a padded seat and back that offer plenty of support while the footrest at the bottom gives you somewhere to rest your feet. It is supported by a tall metal post.

- Elegant bar stools for bar and breakfast areas
- Features a padded seat and back with an included footrest
- Adjustable seat height on the long post support

MATERIAL

Eco Leather, Stainless Steel

DIMENSIONS

Total Weight: 42 lb

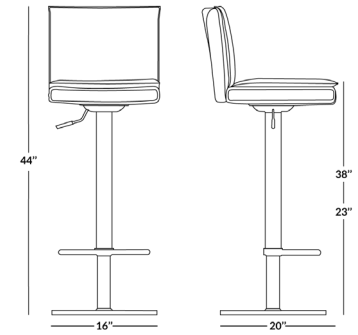


BOX DIMENSIONS

Box: 33 x 17 x 21,5 | 42 lb

ASSEMBLY

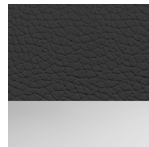
10 MIN



AVAILABLE IN:



Light Gray Leather | Stainless Steel



Dark Gray Leather | Stainless Steel

PRODUCT CARE

Eco Leather

Clean and dust eco-leather with a soft, clean cloth. You may use mild soap and water, followed by a new cloth to dry for standard eco-leather care.

Important things to remember:

- Do not use harsh detergents to clean eco-leather.
- Avoid using drying products like alcohol, or concentrated detergents.
- Eco-leather, like traditional leather will naturally crease, wrinkle and stretch with regular use.
- Prevent sun damage and discoloration by making use of your window curtains or blinds.

Stainless Steel

To remove surface stains, use stainless steel cleaner or glass cleaner with no ammonia. Wipe the stainless-steel surface clean with a cloth dampened with the solution then use a clean cloth to dry the surface completely.

Important things to remember:

- Always use a soft, dry cloth to finish and dry stainless steel
- Clean stainless-steel at least once every 60 days.
- Keep the bases of chrome polish/ finished products away from pets as their bodily fluids may cause damage