



MF FL Series

Compact Loaders

Compact Loader Series – **FL1803/1805**

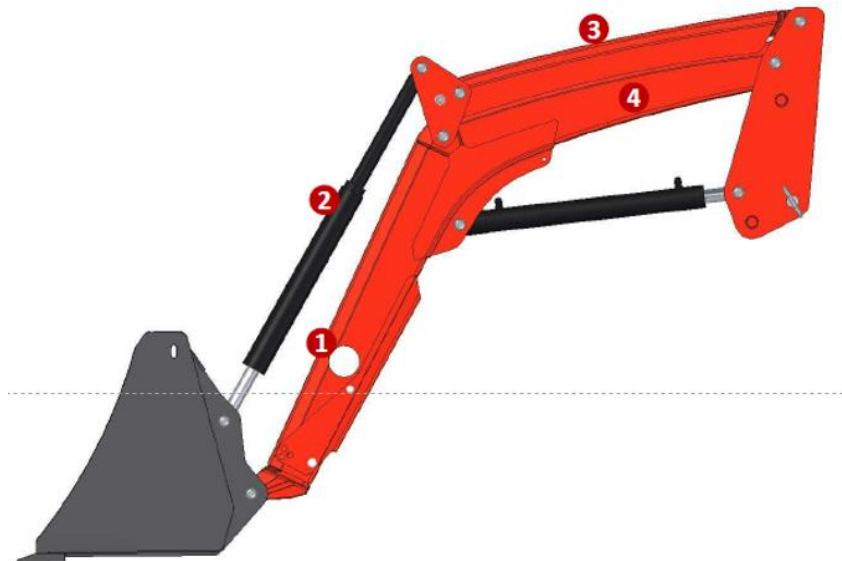
FROM MASSEY FERGUSON





MFFL-X: SIMPLICITY, VERSATILITY

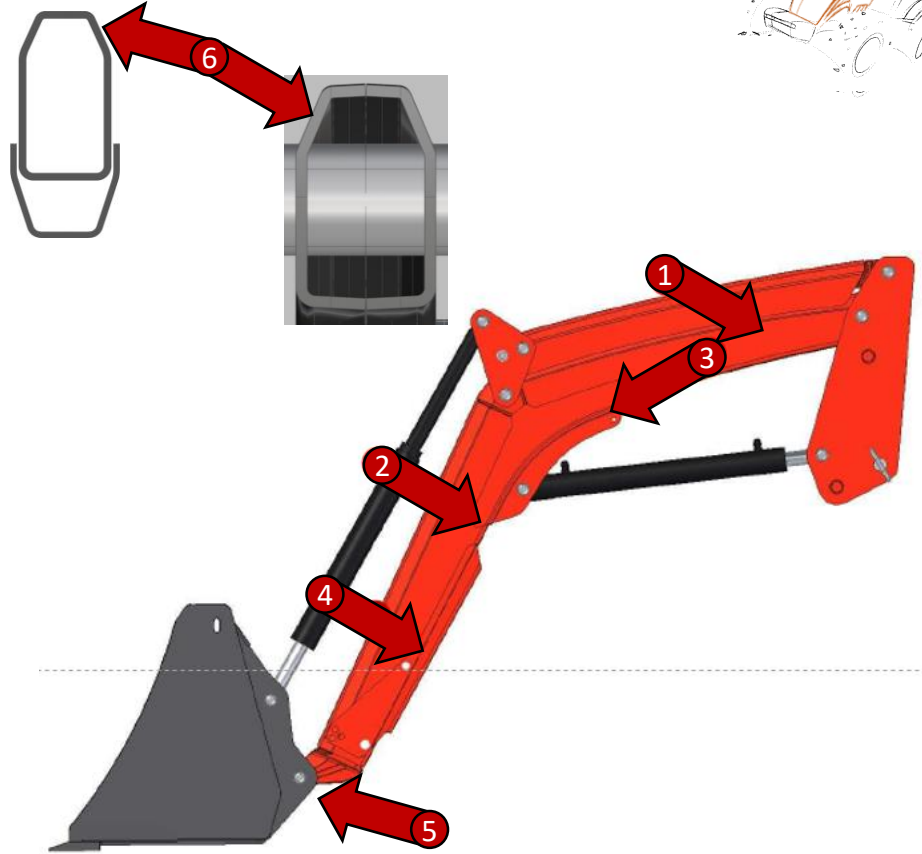
- **Low Placed Cross Tube 1**
 - Excellent visibility
 - High torsional strength
- **Equal Displacement Cylinders 2**
 - Fast crowd & dumping action
- **Integrated Self Levelling Design 3**
 - Extra strength & power
 - Extra speed
 - Simple and uncomplicated
 - No loss of lift force out on the implement
- **Hidden hoses for excellent visibility 4**
 - No pipes or hoses that obstruct driver view





MFFL-X: SIMPLICITY, VERSATILITY

- Increase height in arm profile towards knee area & bearing box ①
- Large height in arm profile towards knee area ②
- Increased width in knee area ③
- Integrated support leg ④
- Forged front part ⑤
- Large chamfer on surfaces facing upwards, for added aesthetics and strength ⑥



Compact Loader Series – **FL1803/1805**

FROM MASSEY FERGUSON



LEVEL INDICATOR OPTION

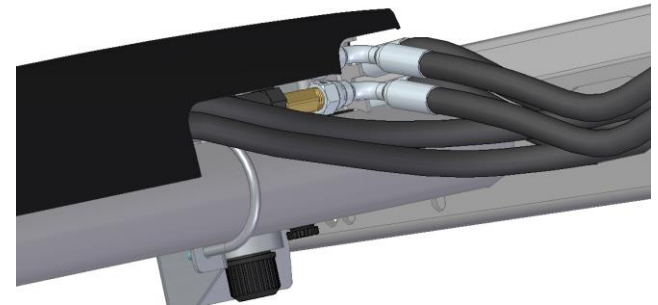


Compact Loader Series – **FL1803/1805**

FROM MASSEY FERGUSON



3RD FUNCTION OPTION



Compact Loader Series – FL1803/1805

FROM MASSEY FERGUSON



DIMENSIONS

