



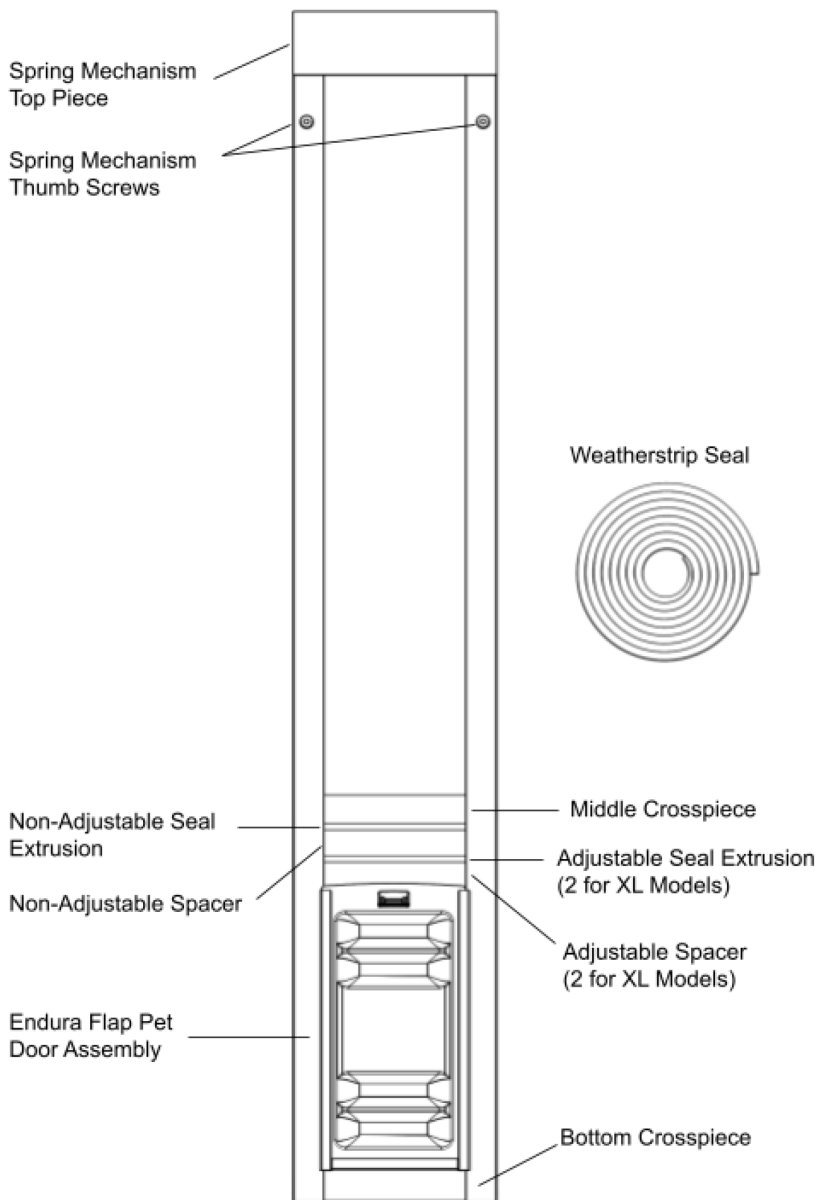
---

# VINYL PANEL

INSTALLATION INSTRUCTIONS

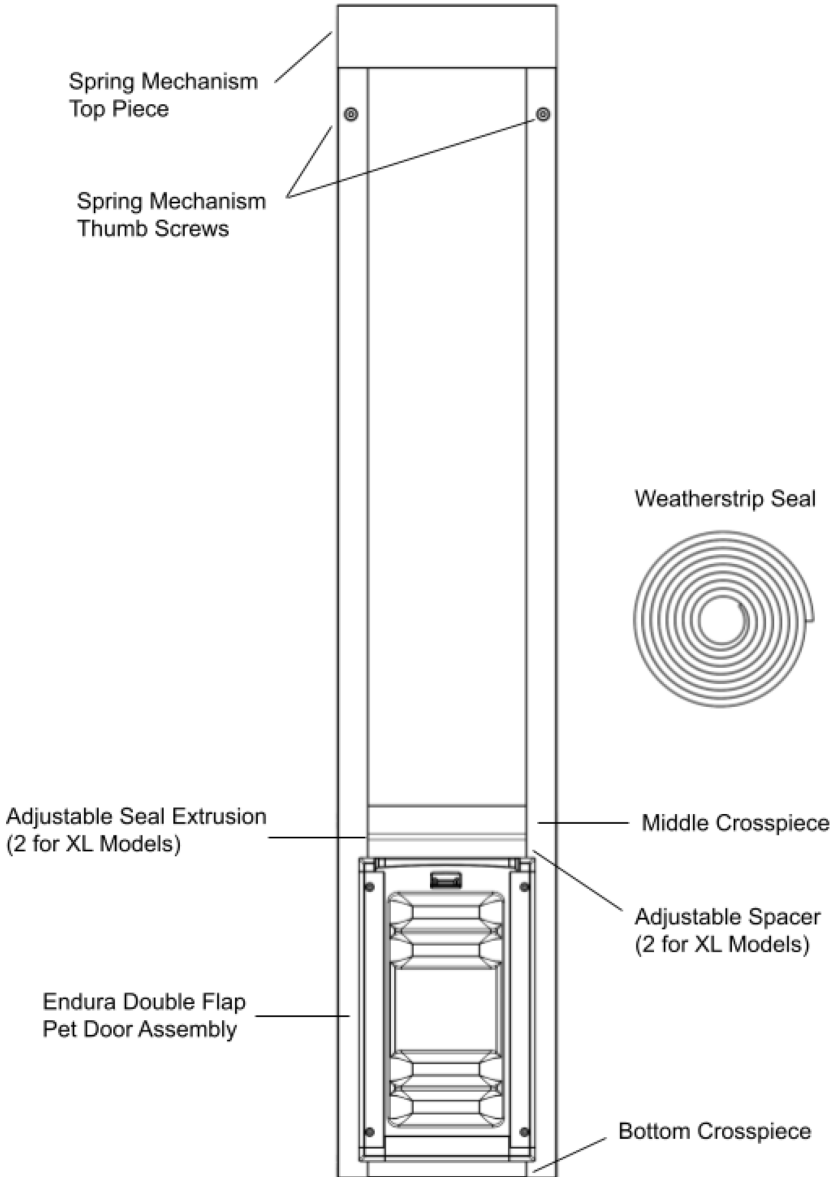
# SINGLE FLAP PANEL

---



# DOUBLE FLAP PANEL

---



# INSTALLATION INSTRUCTIONS

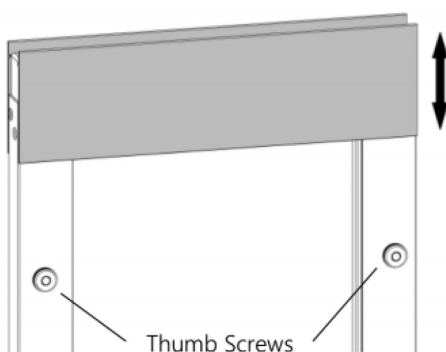
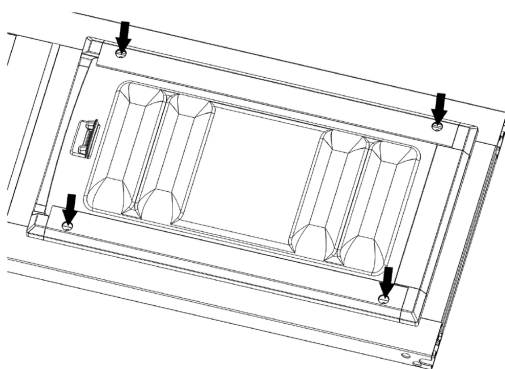
---

Endura Flap Vinyl Panels have an adjustable step-over feature that allows you to adjust the height of the flap to fit your pet. The top of the flap should be positioned at least 1" above the top of your pet's shoulders.

If the factory setting is not suitable for your pet, please adjust it following either the single flap (see page 6) or double flap (see page 9) process. **If the current setting is suitable, proceed to the Installation Instructions below.**

## INSTRUCTIONS

**If you purchased a double flap unit and you did not adjust the step-over height, you will need to install the hole plugs.** Use the wooden end of a hammer, a rubber mallet, or another non-metal tool to tap the hole plugs over the eight exposed frame screws.



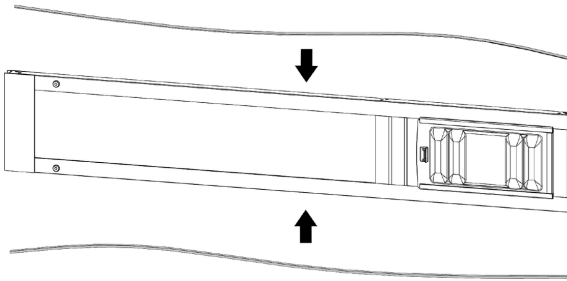
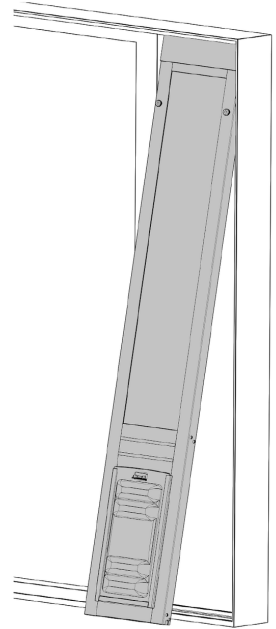
**Step 1:** Loosen the thumbscrews at the top of the panel. This allows the spring mechanism to move freely up and down.



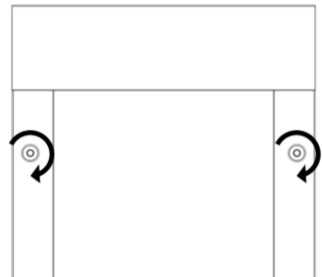
**Step 2:** Insert the panel into the upper track of your door frame, push the panel into the spring mechanism, then swing the bottom of the panel up and over the threshold into the lower track rail.

If you can't clear the track, try swinging in from the outside, as the outside track wall may be shorter. If the panel still doesn't fit, see the FAQ for guidance.

**Step 3:** Once you are confident that the panel fits, remove the panel from the track and lay it on its side on the ground. Apply the foam weatherstrip seal by peeling back the paper and exposing the adhesive. Unroll it along the edge of the panel, pressing to ensure it adheres. Install on both sides and trim to fit with scissors.



**Step 4:** Place the panel back into the sliding glass door, then tighten the thumbscrews to lock it in place.



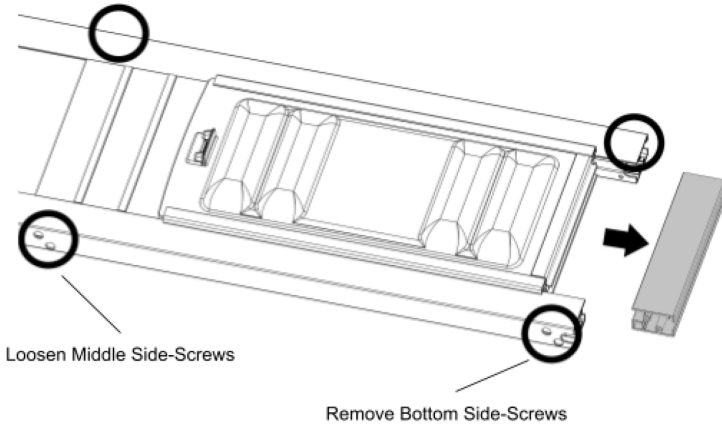
# ADJUSTING STEPOVER HEIGHT

---

## SINGLE FLAP PANELS

**Please Note:** Panels with a Small, Medium or Large Flap will have one adjustable spacer and one adjustable seal extrusion. Panels with an Extra-Large flap will have two adjustable spacers and two adjustable seal extrusions.

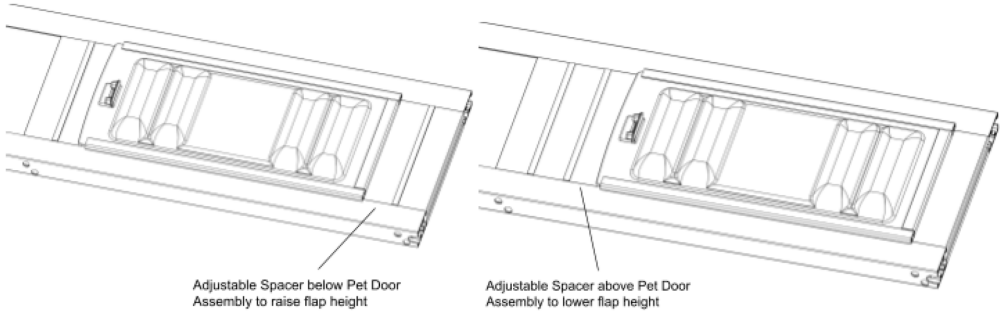
**Step 1:** Lay the entire panel on a flat surface. Using a #2 Phillips head screwdriver, remove the bottom set of side-screws. Loosen the middle set of side-screws one turn. Next, remove the bottom crosspiece by sliding it down and out from the panel.



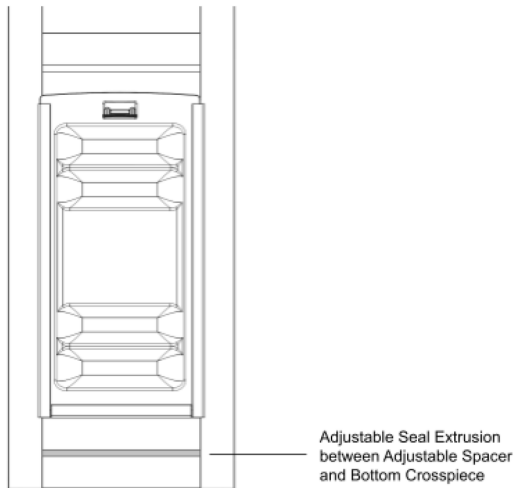
**Step 2:** Now that the bottom crosspiece is removed, the remaining pet door assembly, adjustable spacer(s), and adjustable seal extrusion(s) (see page 1) can be removed by sliding the sections down and out of the panel.

**Step 3:** Replace the pet door assembly, adjustable spacer(s), adjustable seal extrusion(s), and bottom crosspiece by sliding them back in a different order (see next page) to achieve the desired height. You can move the spacer(s) above or below the pet door assembly to lower or raise the flap height.

**Please Note:** The order is important—the bottom crosspiece with the track cutout must always be be at the bottom, as that is where the bottom side-screws attach. Make sure to position the adjustable spacer(s) so that the flap frame interlocks with the channel.

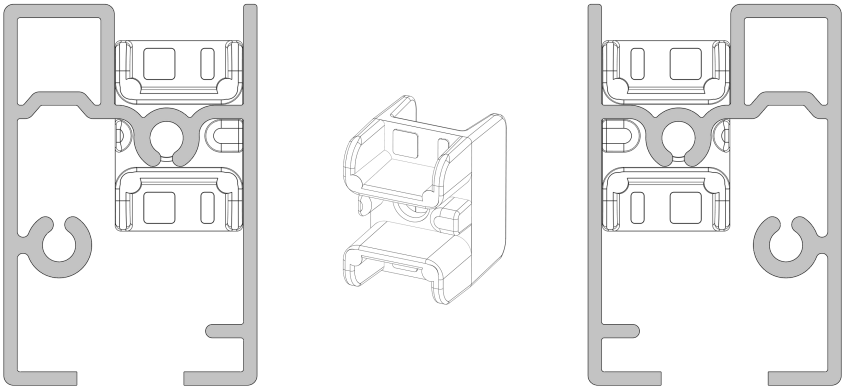


**Please Note:** You will also need to move the adjustable seal extrusion to the new location to rest between the adjustable spacer and the adjacent crosspiece.



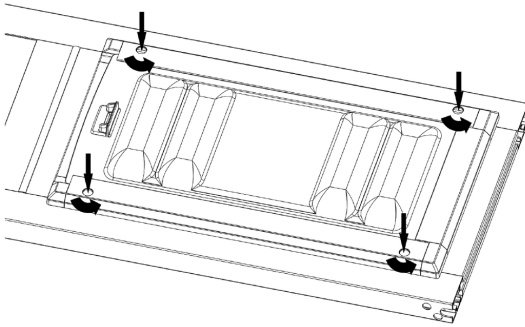
**Step 4:** Once the desired flap height is achieved, replace and tighten the bottom side-screws and tighten the middle side-screws.

**Please Note:** If the white connector pieces fall off of the Bottom Crosspiece, the diagrams below picture how to orient the connector back onto both sides of the Bottom Crosspiece.

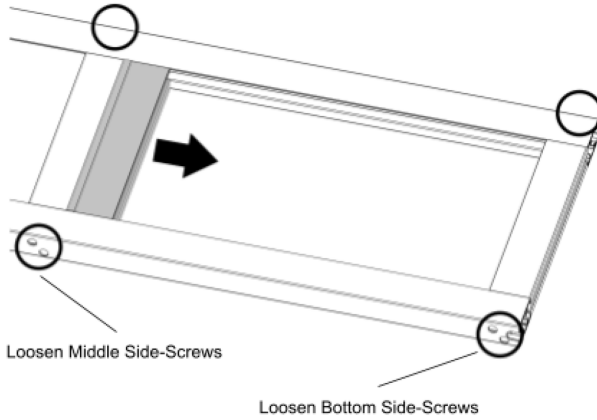


## DOUBLE FLAP PANELS

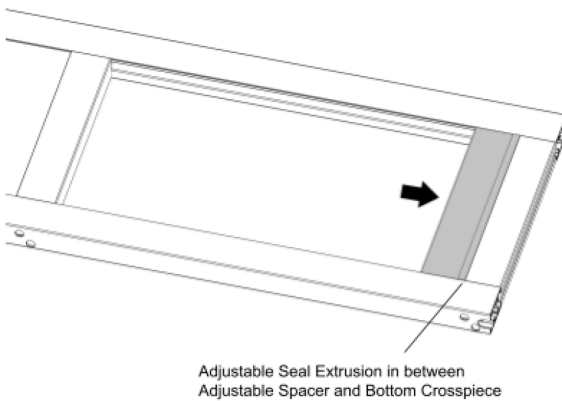
**Step 1:** Lay the entire panel on a flat surface. Use a #2 Phillips head screwdriver to unscrew the four frame screws from the flap frames to separate them, then set them aside.



**Step 2:** Loosen both the middle and bottom sets of side-screws one turn.



**Step 3:** Once the bottom and middle side-screws are loosened, slide the spacer(s) down to the bottom of the panel. Pull the adjustable seal extrusion(s) (see page 2) down and out to place it between the adjustable spacer and the adjacent crosspiece.



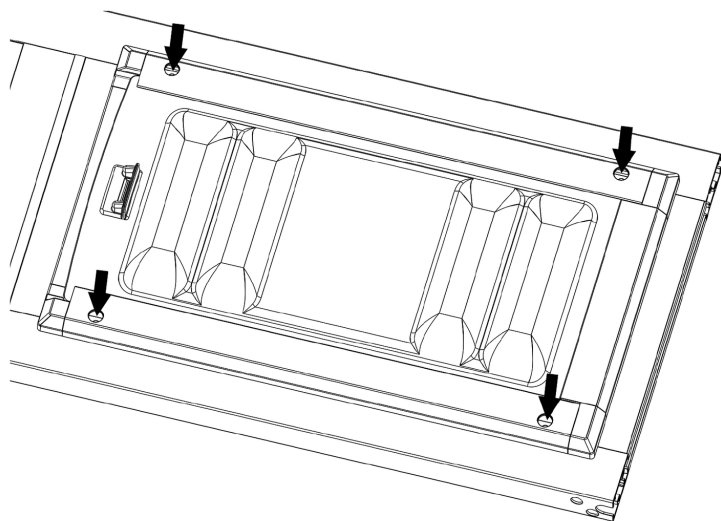
You can move the spacer(s) above or below the flap to raise or lower it until the desired flap height is achieved.

**Step 4:** Once the desired flap height is achieved, tighten the bottom and middle side-screws.

**Step 5:** To reinstall the pet door assembly, sandwich the interior and exterior frames on either side of the panel how they came. Insert the four frame screws through the pet door frames. ***Do not fully tighten the screws until all four are inserted and the pet door is level.***

Once the pet door is leveled, tighten the screws so that the frames are secured and flush with the panel. ***Do not overtighten.***

**Step 6:** Use the wooden end of a hammer, a rubber mallet, or another non-metal tool to tap the hole plugs over the eight exposed frame screws.

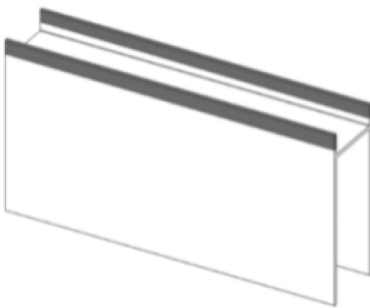
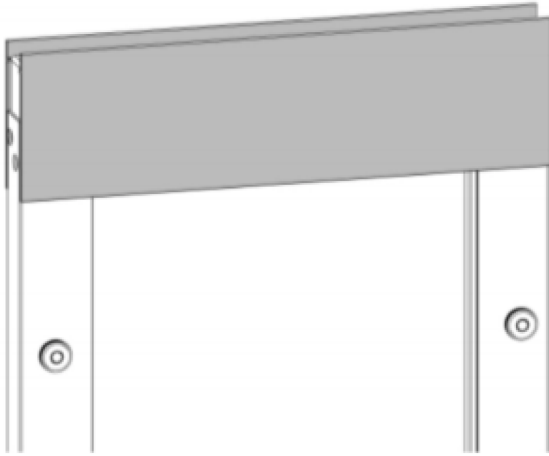


# FAQ

---

## What if my panel is slightly too tall?

You can trim up to 5/16" off the spring-loaded adjustment piece at the top. Remove the adjustment piece with a #2 Phillips head screwdriver and use scissors to cut down the flanges. Be careful not to cut too low.

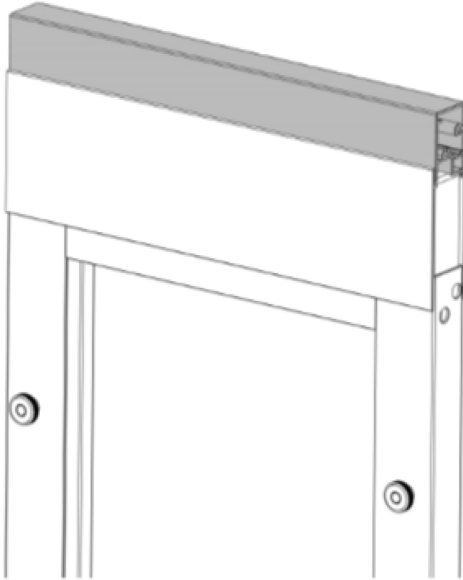


The dark area marks where you can trim



### **What if my panel is slightly too short?**

We offer height extensions that will add 1 ½" to the top of the panel that you slide into the channel at the top. These are made from the same vinyl as the panel so the color will match exactly. If the extension makes the panel feel unstable, you can secure it with screws.



### **What if the panel is wobbling slightly back and forth?**

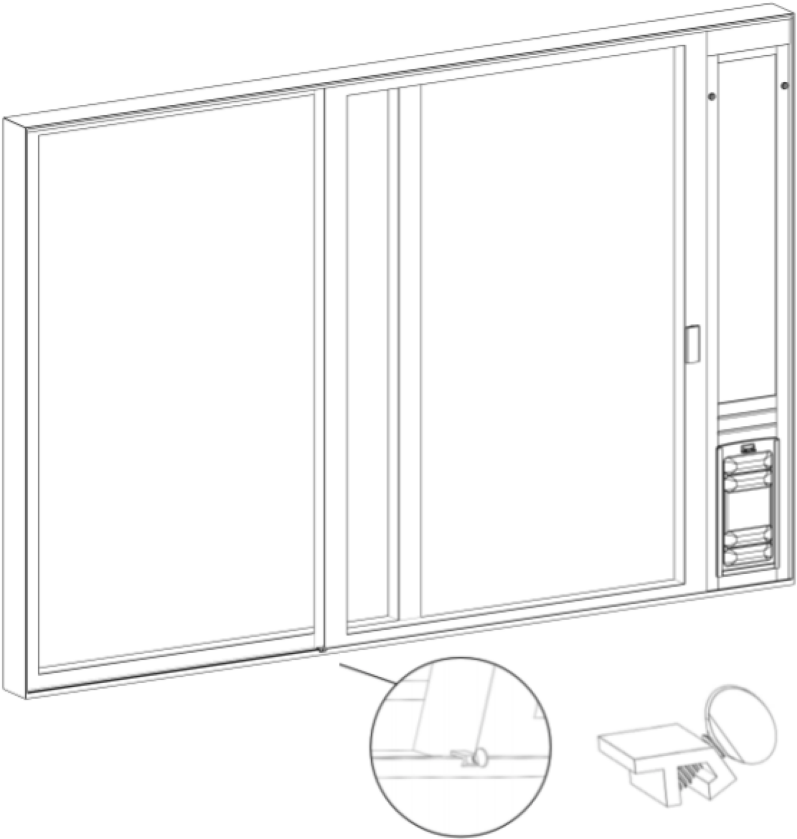
If your track is wider than 1 ½", you can use small wooden shims or extra weather-stripping to fill the gap inside the top and bottom tracks. By placing the material inside the tracks you won't be able to see it, but it will stabilize the panel.



## LOCKING YOUR DOOR

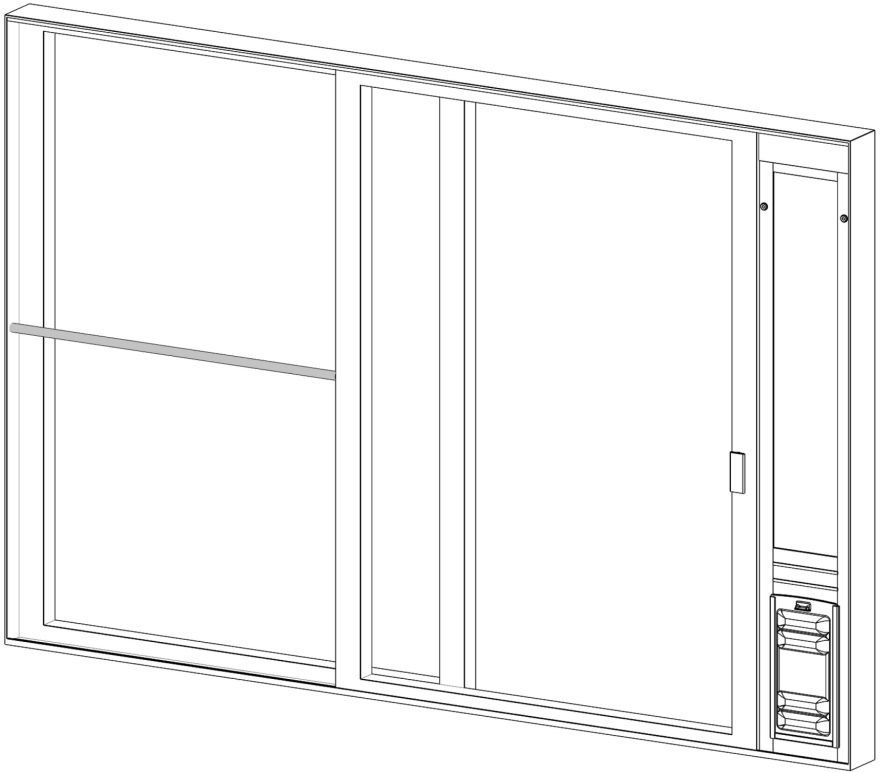
Since you cannot lock your sliding glass door to the panel, we have provided you with a sliding door clamp lock to secure your home.

**Installing the sliding door clamp:** This clamp has a screw that tightens by hand to prevent the sliding door from moving beyond the clamp's placement. For doors manufactured with the glass slider on the inside track, the lock can usually be installed on the door's raised track.



**If you aren't able to use the lock that comes with the panel:**

A great alternative to locking your sliding glass door is a Charley bar or dowel. Both block the slider from opening. When engaged, you cannot pull the sliding door away from the pet door panel.



# WARRANTY INFORMATION

---



## WARRANTY INFORMATION

Endura Flap products have a lifetime warranty against defects in materials and workmanship under standard regular use. Damage caused by not using the product as intended, improper installation, and chewing is not covered under this warranty.

## RETURN INFORMATION

If you purchased your Endura Flap pet door from a different company, such as Amazon, you will need to contact the company you purchased from to make a return as their return policy overrides that of PetDoors.com or Endura Flap. If ordered through Amazon or eBay, you will request a return through your account on their website. Returns must be in like-new condition.

If you purchased from EnduraFlap.com or PetDoors.com, you have 90 days to contact customer service to initiate a return:

EnduraFlap.com Contact: [customerservice@enduraflap.com](mailto:customerservice@enduraflap.com)

PetDoors.com Contact: [customerservice@petdoors.com](mailto:customerservice@petdoors.com)

On the rare occasion where the product is damaged upon arrival, you must notify us within 5 business days. Retain all packaging in case the shipping company needs to inspect. We will ship a replacement and take care of the damage claim.

