

USER GUIDE

POWER WHEELCHAIR INSTRUCTIONS FOR USE – MARCH, 2015

Model Nos: BRP100-16, BRP100-18
Maximum User Weight: 120kg (Do not exceed this weight)

INTRODUCTION & RECOMMENDED USE

The **BREEZY P100** is a folding powered wheelchair suitable for indoor and outdoor use. It offers quick assembly and disassembly, and is easily converted to a manual chair with the simple addition of self propelling 24" wheels (supplied with chair).

SAFETY INSTRUCTIONS

READ ALL INSTRUCTIONS BEFORE USING

Please follow these instructions carefully to enhance user's driving experience, and to maximize comfort and convenience.

WARNING - Important safety information for hazards that might cause serious injury.

CAUTION - Information for preventing damage to the product.

NOTE - Information to which you should pay special attention.

WARNING

Please read carefully before use. Failure to comply may result in severe injury.

WARNING

Failure to heed the cautions in this user's manual may result in damage to your power chair.

REMEMBER, to conserve battery power during transportation, please disconnect the yellow plug (the controller main wiring). To use, simply reconnect the yellow wire.

Do not modify your BREEZY P100 in any way without authorizing by Sunrise Medical. Unauthorized modifications may result in personal injury and / or damage to your BREEZY P100.

For your own security we recommend to read and obey all the instructions carefully in this manual.

- We are not liable for damage to property or personal injury arising out of the unsafe use of **BREEZY P100**. **Emobility Shop** is also not liable for any property damage or personal injury arising out of the failure notice of the instructions and recommendations set forth in this manual or affixed on the product by **Emobility Shop**.
- Before using the **BREEZY P100**, have the instructions explained by your **BREEZY P100** dealer. It also helps if you have a friend to listen to as well. Study the instruction manual yourself or if you cannot understand it, get a friend to help you doing so. Don't hesitate to ask for any explanation.
- As you begin to use your **BREEZY P100** during daily activities, you will probably encounter situations in which you will need some practice. Simply take time and you will soon be in full and confident control as you manoeuvre through doorways, on and off elevators, up and down ramps, and over moderate terrain.

OPERATION

- Never switch off the joystick module during driving. Otherwise the wheelchair will stop abrupt, so that you run the risk, to be thrown forward from the wheelchair. Just release the joystick to stop the wheelchair from moving. Be aware that your **BREEZY P100** can produce electromagnetic emissions and interfere other devices.
- If unintended movement or brake release occurs, turn the **BREEZY P100** OFF as soon as it is safe.
- Do not put the brake on discharge position when driving on a slope.
- Please charge batteries after daily use. Please charge at least every 2 months to maintain efficiency of battery if you don't use the chair frequently. Failing to obey charge instructions will be considered as improper use.

DRIVING

- The **BREEZY P100** is designed for outdoor and indoor use. The **BREEZY P100** isn't recommended for driving on uneven, soft or steeply sloping ground. Using the **BREEZY P100** outdoors, switch on the lights at dawn and dusk and in the dark of course.
- Don't let children drive with the **BREEZY P100** without supervision.
- Avoid driving through puddles with the **BREEZY P100**. The **BREEZY P100** and especially electrical components are very sensitive to too much water, some splashes of water don't harm.(There is a danger of malfunction regarding some electrical parts getting too wet.)
- The **BREEZY P100** is not designated to take along passengers.

- Look further ahead while driving, so that you have sufficient time to react to obstacles and avoid accidents in your way. Pay attention to pedestrians, children, dogs etc. close to and especially in front of you, since they can stop suddenly or change the direction.
- Consider the road permission regulations: These are different from country to country. It is usually prescribed by law about which kinds of streets can be used for your purposes. Inquire in this regards at your road traffic licensing department.
- **BREEZY P100** is designed for the people who can't walk very well, and please operate only on the even road and on the ramp which under 10 degree. Don't attempt to climb over an obstacle which is more than 40mm height or a gap more than 100mm width.
- Avoid steep edges, hillside situations or stairs if you push the **BREEZY P100** manually (brake release lever in lower position), because there is a risk to lose the control over the **BREEZY P100** of its weight and measurements. There is even the risk that the user can fall out of the **BREEZY P100**. To overcome an obstacle we recommend, using a ramp or an elevator.
- The necessary force to push the **BREEZY P100** manually can possibly be a bit higher, than you used to do with other manual wheelchairs. Depending on the floor surface and the constitution of the person which is pushing the **BREEZY P100**, it can be helpful to have a second person around to help pushing the **BREEZY P100** if necessary.

SEAT BELT SYSTEM

- The seat belt system is a safeguard for the wheelchair user. Always belt up your seat positioning strap when driving.
- The leg belt is not used to be a protection device at collisions and/or accidents.
- If you require a positioning belt to safely operate your **BREEZY P100**, make sure it is fastened securely.

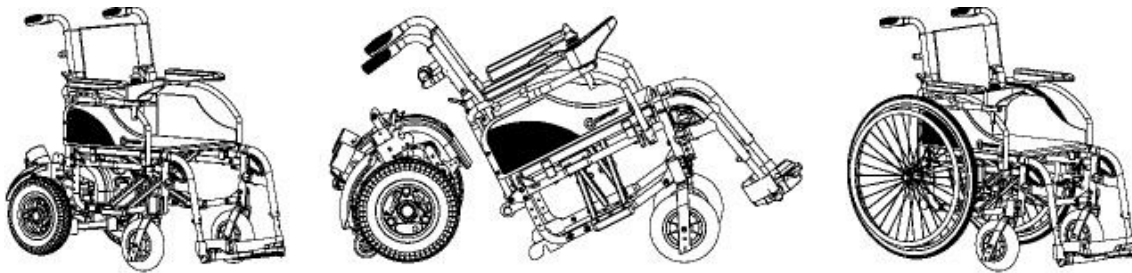
SERVICING & MAINTENANCE

- The **BREEZY P100** is a technically advanced piece of machinery. Do not attempt to maintain it yourself. For all maintenance work, please contact an authorized dealer. It is recommended that your authorized dealer is in charge to service the wheelchair once every year.
- You should only use original **BREEZY P100** spare parts as possible repairs or modifications. If you use other parts, the function and the security of the **BREEZY P100** can be influenced. This also means that the **BREEZY P100** is no longer covered under warranty.

- Programming should only be conducted by healthcare professionals with full knowledge of electronic controller systems. Incorrect programming could result in an unsafe setting of a wheelchair for the user. **BREEZY P100** accepts no liability for losses of any kind if the drive or stability characteristics of the **BREEZY P100** are altered without prior notification and discussion with the manufacturer.
- All inappropriate changes of the **BREEZY P100** and its different systems can lead to an increased accident risk. All changes and interventions have to be made by an authorized dealer, if you're unsecure about any issue, please ask your dealer first.

TRANSPORTATION

- The power chair must only be transported in frame separating mode. Disassemble the rear frame (power unit) and folding front frame, so it can be easily stored in a vehicle. When separated, please avoid collision or serious vibration to prevent extensive damage to the power chair. Please see the diagrams below for how to fold and disassembled the **BREEZY P100**.



FAILURE TO FOLLOW THE ABOVE INSTRUCTIONS MAY RESULT IN SERIOUS INJURIES.

SAVE THESE INSTRUCTIONS

ASSEMBLY / FITTING INSTRUCTIONS

BEFORE GETTING ON

- Fully charge the battery
- Push the clutch lever to the power driving mode (Engage).

PRE-RIDE ADJUSTMENTS & CHECKS

- Is your proposed path clear of people, pets, and obstacles?
- Have you planned your route to avoid adverse terrain and many inclines as best as possible?
- Is the wheelchair frame locked securely with the power unit?

- Is the speed adjustment dial set in a slower setting?
- Does the horn work properly?

WARNING

- Position yourself close in the power chair seat to prevent it from tipping and causing injury.
- Avoid using your armrests for weight bearing purposes. Such use may cause the power chair to tip and cause personal injury.
- Avoid putting all of your weight on the footrest. Such use may cause it to tip and cause personal injury.
- Never attempt to get onto and off your power chair without turn off it first.
- Never drive your wheelchair onto an escalator.

DRIVING IN GENERAL

- Before starting to drive your wheelchair take time to read all the instructions regarding the **BREEZY P100** and to get to know the controls. When first learning to drive, practice in an area you know well. We suggest a large flat smooth area such as your living room or the driveway to your home. Do not attempt to drive the **BREEZY P100** in confined areas or where there is traffic until you are sure you can control safely.
- Switch on the joystick module and practice driving the **BREEZY P100** slowly forwards, backwards and turning side to side. When you have more confidence, increase the speed and practice until you have mastered driving the **BREEZY P100**.
- The **BREEZY P100** allows driving absolutely safely on slope with a maximum gradient up to 10°. When driving up or down steeper slopes than this or over uneven ground, braking and steering response will be limited due to reduced traction. When on a slope don't lean out of the **BREEZY P100** down the slope.

RAMP & OBSTACLES

- Approach slowly, as you encounter a ramp or incline.
- Do not drive up or down an incline that is more than 10° (within safe user weight limits).
- Do not attempt to climb over an obstacle which is more than 40mm height or a gap more than 100mm width.
- If you must stop when going down slope, decelerate slowly.
- Avoid prolong climbing.
- When driving down a ramp, keep your power chair's speed adjustment set to the lowest speed setting and driving in the forward direction only.
- On any sort of an incline or decline, never place your power chair in manual driving mode while sitting in it or standing next to it.
- Do not attempt to have your power chair proceed backwards down any step, curb, or other obstacle.

CORNERING INFORMATION

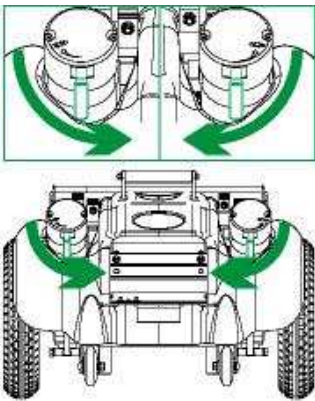
Excessively high cornering speeds can create the possibility of tipping. Factors which affect the possibility of tipping include but are not limited to, cornering speed, steering angle (how sharply you are turning), uneven road surfaces, inclined road surfaces, riding from an area of low traction to an area of high traction (such as passing from a grassy area to a paved area-especially at high speed while turning), and abrupt directional changes. High cornering speeds are not recommended. If you feel that you may tip over while cornering, reduce your speed and steering angle to prevent your power chair from tipping.

UNLOCKING THE DRIVE BRAKES

MANUAL TRANSMISSION

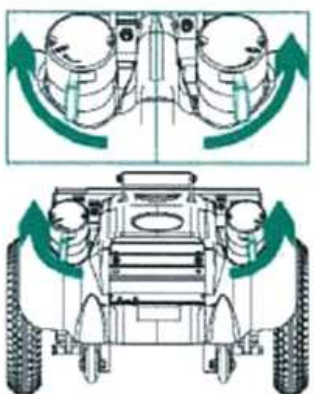
Assistant can operate the engagement and disengagement.

Power Driving



When you are sitting in the **BREEZY P100**, please push both side clutch levers inwards to activate the power driving mode (Engage). The chair is unable to be pushed manually.

Manual Driving



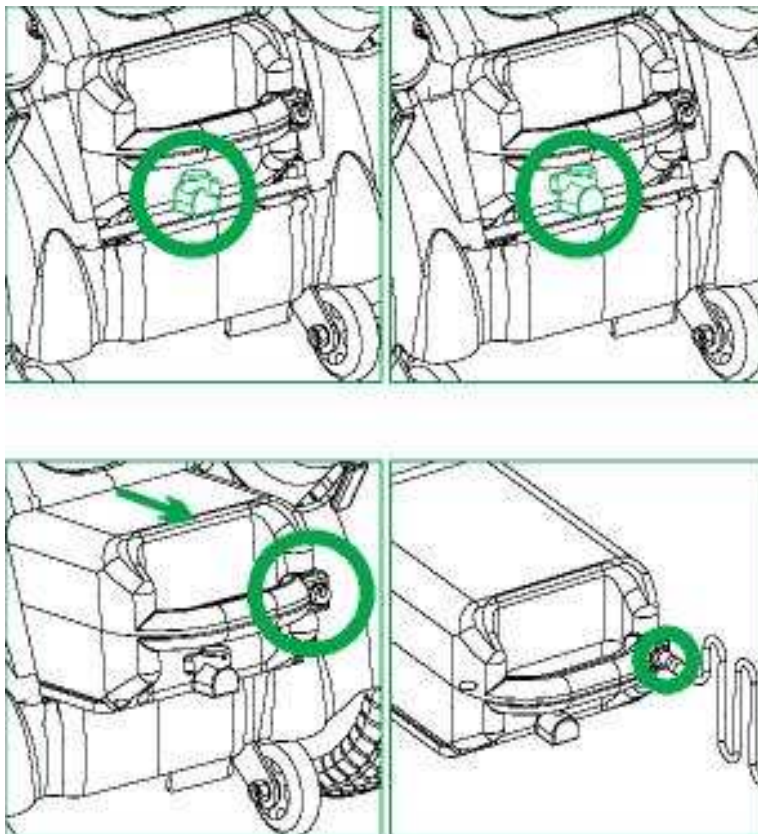
When you are sitting in the **BREEZY P100**, please push both side clutch lever outwards to activate manual driving mode (Disengage). There is no power force and the controller is now also disabled. The chair cannot be powered electronically.

WARNING

- Do not use your **BREEZY P100** in manual driving mode without an attendant.
- Do not place your **BREEZY P100** in manual driving mode while on an incline.
- Avoid manual driving mode when driving down a slope.

CHARGING THE BATTERY

Only use the charger **BREEZY P100** delivered with the chair. To charge the battery, switch off the control unit and plug the charger into the jack. The charging jack at right side of battery box handle, please take the battery out for charging. If the battery is completely discharged, it takes approximately 10 hours to fully charge them (2Amp charger).



PUBLIC STREETS & ROADWAY

- It may be difficult for traffic to see you when you are seated in your **BREEZY P100**.
- You should not operate your **BREEZY P100** on public streets and roadways. Never use your **BREEZY P100** to negotiate steps or escalators
- If you are in the doorway of an elevator when the door begins to close, push on the rubber door edge or allow the rubber door edge to contact the **BREEZY P100** and the door will reopen.

DOORS

- Determine if the door opens toward or away from you. Drive your power chair gently and slowly forward / backward to push / pull the door open.
- Keep a watch for pedestrians, obstacle, and pothole particularly when reversing.

REACHING & BENDING

- Do not bend, lean, or reach for objects. If you have to pick them up from the floor by reaching down between your knees, such use may cause your power chair to tip and result in personal injury.

PRESCRIPTION DRUGS / PHYSICAL LIMITATION

- Consult your physician if you are taking any prescribed or over-the-counter medication which may impair your operation of the power chair.

ALCOHOL

- Do not drive under the influence of alcohol or drugs. Speak to your doctor first if you are unsure about driving or taking medication.
- Avoid putting all your weight on the footplate. Such use may cause your power chair to tip and result in personal injury.
- The **BREEZY P100** is designed for one person only, passengers are prohibited.

WARNING

- When cornering sharply, reduce your speed. When using your **BREEZY P100** at higher speeds, do not corner sharply. This greatly reduces the possibility of a tip or fall. To avoid personal injury or property damage, always exercise common sense when cornering. Take wide swings with your **BREEZY P100** front wheel around any tight corners, and your **BREEZY P100** rear wheels will follow a wide arc. Do not cut the corner short, and do not bump into or get hung up on any railing corners.

OUTDOOR DRIVING SURFACES

Your **BREEZY P100** is designed to provide optimum stability under normal driving conditions—dry, level surfaces composed of concrete, blacktop, or asphalt.

- Reduce your **BREEZY P100**' speed when driving on uneven terrain and/or soft surfaces.
- Avoid tall grass that can become tangled in the running gear.
- Avoid loosely packed gravel and sand.
- If you feel unsure about a driving surface, avoid that surface.

INCLEMENT WEATHER PRECAUTIONS

- **Emobility Shop** recommends that you do not operate your **BREEZY P100** in icy or slippery conditions or on salted surface. Such use may result in an accident, personal injury, or adversely affect the performance and safety of your **BREEZY P100**.
- **Emobility Shop** recommends that you do not expose your **BREEZY P100** to any type of moisture at any time (rain, snow, mist, or wash). Such expose can damage your **BREEZY P100**. Never operate your **BREEZY P100** if it has been exposed to moisture until it has dried thoroughly.

STAIRWAYS

- Do not attempt to move an occupied **BREEZY P100** between floors using a stairway. If moving a **BREEZY P100** between floors by means of a stairway, the occupant must be removed and transported independently of the **BREEZY P100**.

Follow these instructions for moving the BREEZY P100 between floors when an elevator is not available:

1. Remove the occupant from the **BREEZY P100**.
 2. Remove battery from the power unit.
 3. To disassemble the rear frame and folding front frame.
 4. Hold non-removable parts of the wheelchair and the rear frame handle, lift off the ground and transfer up or down the stairs.
- Do not attempt to lift the **BREEZY P100** by any removable parts. Lifting by means of any removable parts of a **BREEZY P100** may result in injury to the user or damage to the **BREEZY P100**.

CLEANING / MAINTENANCE

Regular cleaning with a mild detergent or disinfectant is recommended. Rinse in warm water after cleaning. **DO NOT** use bleach or any solvents (such as lighter fluid). **DO NOT** use abrasive powders or scouring pads.

AVAILABILITY OF SPARE PARTS

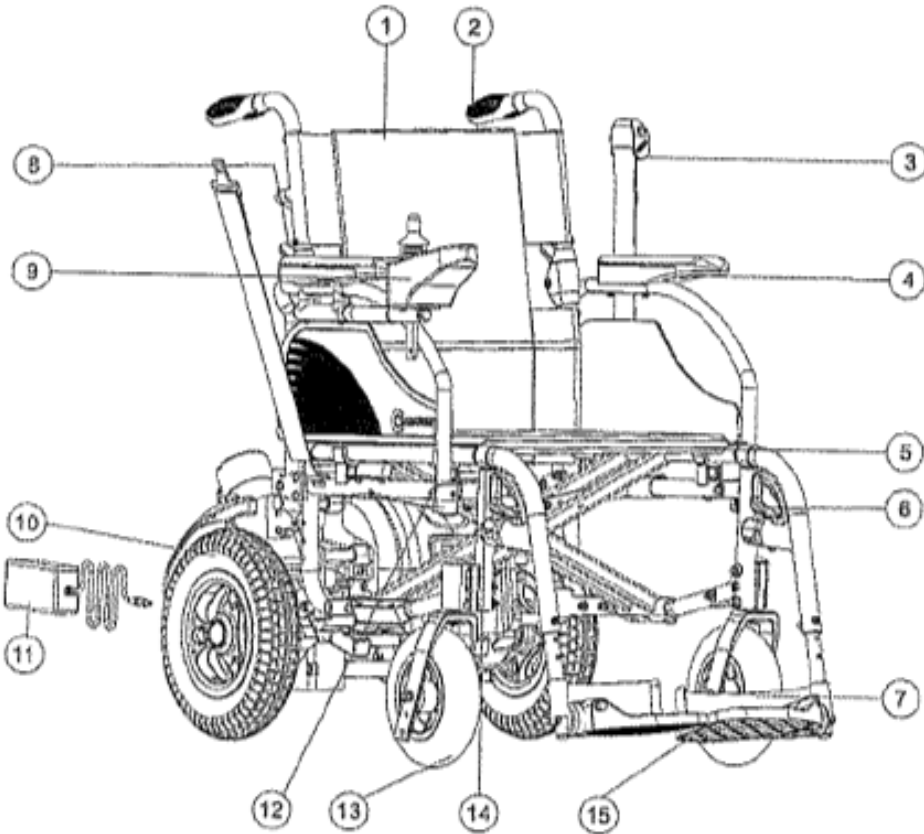
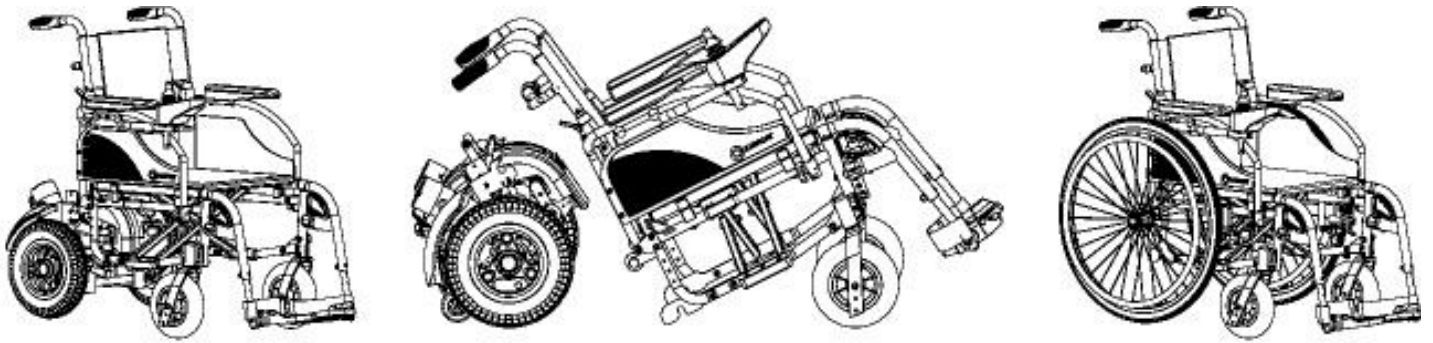
Please contact your local dealer.

TECHNICAL SPECIFICATIONS / FEATURES

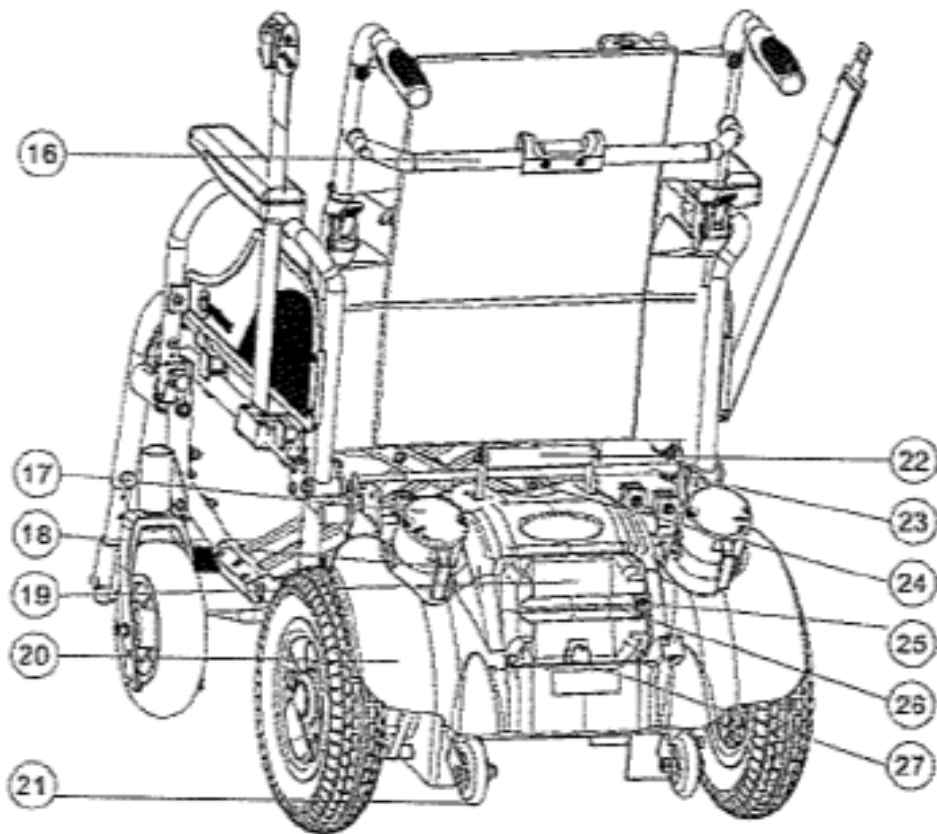
UNIQUE CHARACTERISTICS OF THE BREEZY P100

If you use BREEZY P100 as a manual wheelchair, please note the below:

- The frame can assemble quickly. It's very compact after folding, & to store in vehicles conveniently and easily.
- Two types of chairs in one. The frame can be used as a power wheelchair or a manual wheelchair, with the supplied quick release rear wheels.
- The chair features a highly efficient and rechargeable lithium battery, which has a long life cycle and is lightweight.
- The level of resistance to ignition of materials and assemblies that conform to the Bio-compatibility test ISO 10993-5 and Flammability test ISO 7176-16: 1997.
- Tested to AU Standards.

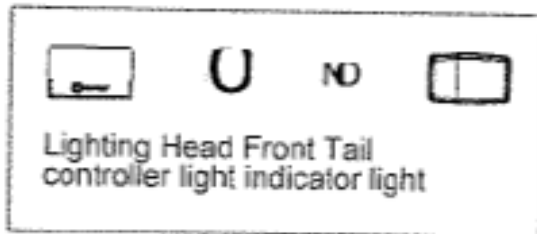


- | | |
|----------------------------|--------------------------------------|
| 1. Backrest | 8. Folding back unlocking lever |
| 2. Push handle | 9. Controller |
| 3. Seat belt | 10. Rear wheel |
| 4. Armrest | 11. Charger |
| 5. Seat | 12. Flip up armrest unlocking lever |
| 6. Footrest release handle | 13. Front wheel |
| 7. Heel loop | 14. Swing away & detachable footrest |
| | 15. Foot plate |

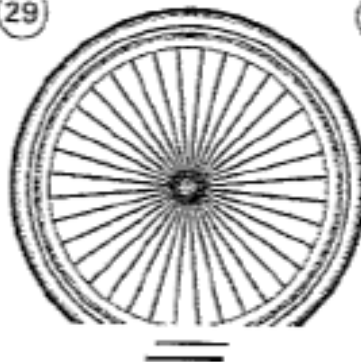


(Option)

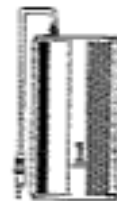
28



29



30



- 16. Backrest tension bar
- 17. Motor
- 18. Clutch lever
- 19. Battery
- 20. Rear frame
- 21. Anti-tipping wheel
- 22. Rear frame handle
- 23. Frame separate handle

- 24. Controller main wiring
- 25. Battery charging jack
- 26. Battery handling handle
- 27. Battery box release switch

(Option)

- 28. Lighting control module
- 29. Quick release manual rear wheels
- 30. Quick battery charger

Front wheels	200*50 PU Tyre
Rear wheels	2.50 – 6 pneumatic tyre / Max. 50PSI (3.5 BAR)
Length	1040mm
Width	520mm
Height	880 – 930mm
Seat Width	450mm (18”), 400mm (16”)
Motor Output	200W*DC24V*2PCS
Brakes	Magnetic Brake
Battery	30AH * 24V * 1PCS (Lithium Battery)
Range	25km (on the flat road, 120kg load)
Slope Grade Durability	10° max.
Minimum Turning Radius	Approx. 870mm
Maximum Kerb Climbing Ability	40mm
Maximum Groove Crossing Ability	1000mm
Maximum Speed Forward	7.8km / hr
Maximum Speed in Low Speed Mode	2km / hr
Maximum Loading	120kg
Weight (without batteries)	33.4kg
Front Frame Weight	15.4kg
Rear Frame Weight	18kg
Battery Weight	5.4kg
Anti-tip Wheel	Yes (on the rear frame)
Manual Rear Wheel	24” Quick Release PU Tyre

CONTROLLER OPERATION

D. VR2 JOYSTICK ASSEMBLY

The standard VR2 joystick controls the chair's performance. It consists of the following parts:

1. Speed Control or Drive Mode Selection Buttons (A and B)

To decrease the speed level depress button (A) Or, when 1- 5 Drive modes are programmed, depress button (A) to activate lower drive mode(s).

To increase speed level, depress button (B). Or, when 1- 5 Drive modes are programmed, depress button (B) to activate higher drive mode(s).

Speed level active, or Drive Mode selected, is indicated on display (C) by a series of five lights. One light indicates slowest level/mode currently active, while five lights indicates highest level/mode currently active.

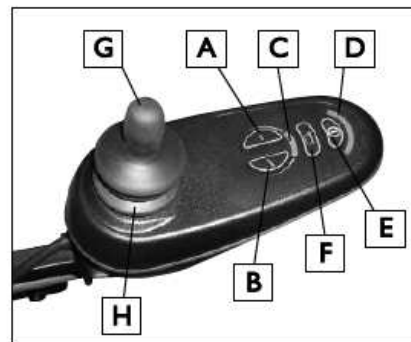
2. Battery Charge Indicator (D)

- Green lights indicate that batteries are fully charged.
- Yellow lights indicate that batteries need recharging.
- When the lights stay in the red band, the batteries must be recharged.

3. On/Off Button (E)

Turning the chair on or off is accomplished by depressing button E.

4. Horn (F)

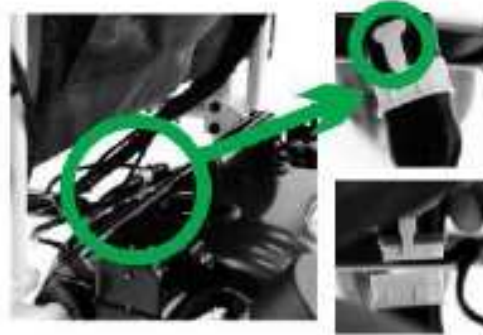


VR2 Joystick

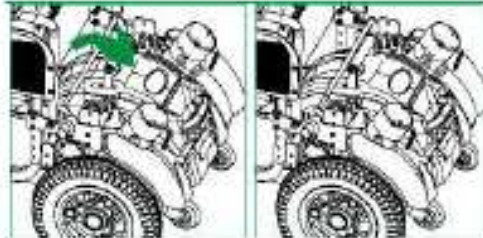
OPERATION

Frame Disassembling Process

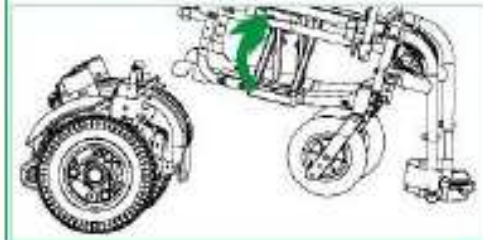
1. Holding both side of controller main wiring by hand, press the T shape plate by one hand, then pull out the plug by the other hand.



2. Pulling the frame separate handle backward.



3. Pulling up the frame separate handle to separate the power pack from main frame.

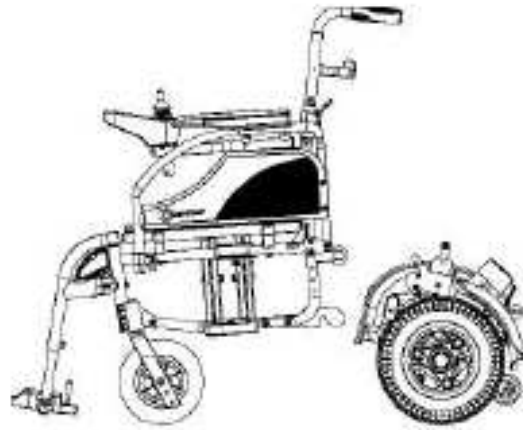


4. Please put the separated power pack leaning on anti-tipping wheels to ground and the front main frame leaning on fixing plates to ground.

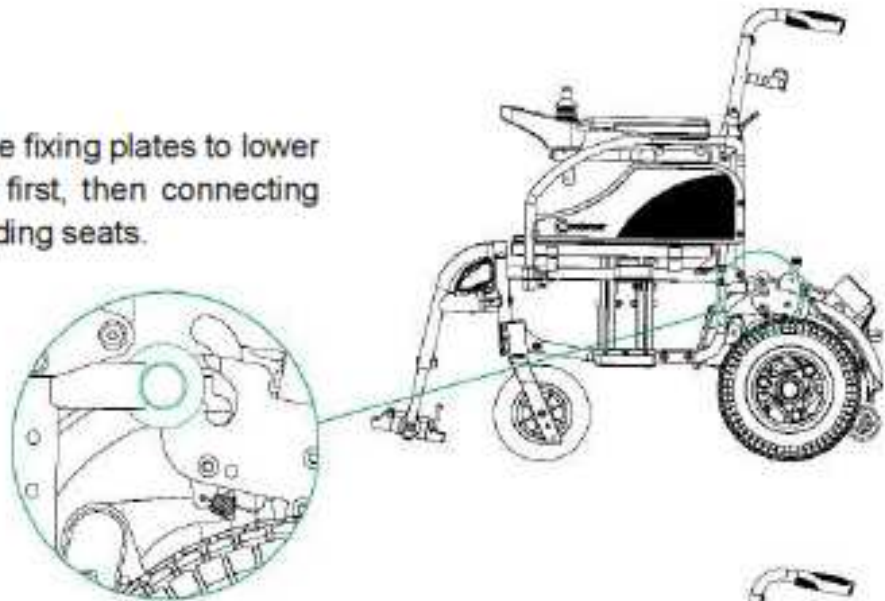


Frame Assembling Process

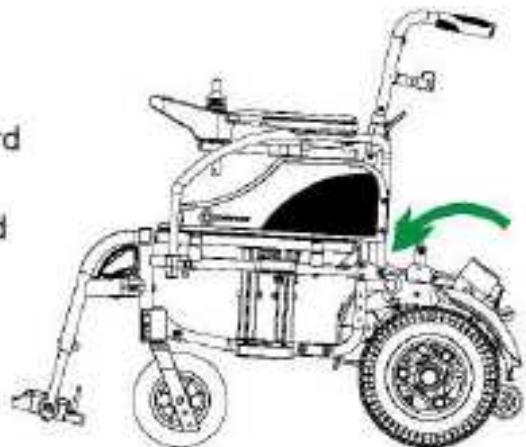
1. Unfolding the front main frame.



2. Connecting the fixing plates to lower guiding seats first, then connecting it to upper guiding seats.

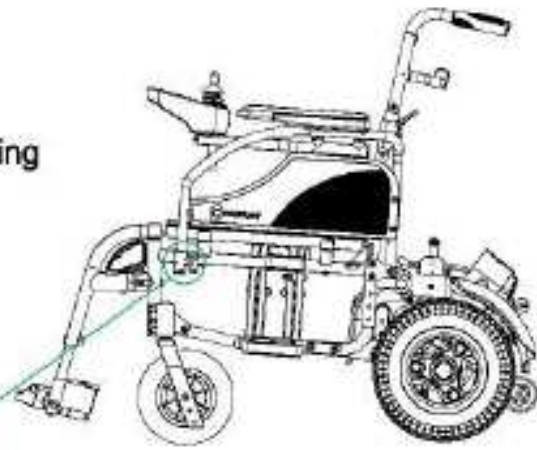


3. Push the frame separate handle forward all the way until to hear a sound of "Click", make sure the frame connected properly. Then insert the plug of controller main wiring to its socket.

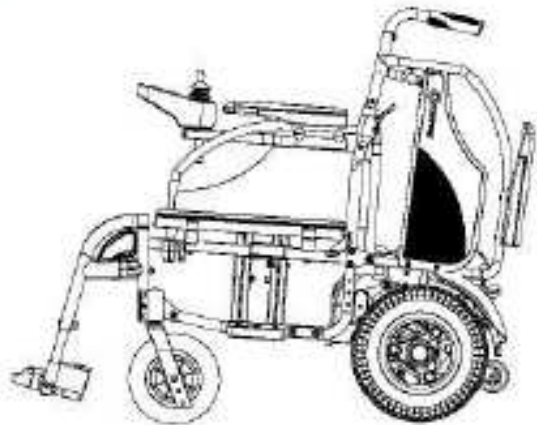


Flip Up Armrest

1. Pulling both side flip up armrest unlocking lever outward.



2. Flip up armrest parallel with back.



CAUTION

For the convenience of user side movement, please flip up armrest first.

WARNING

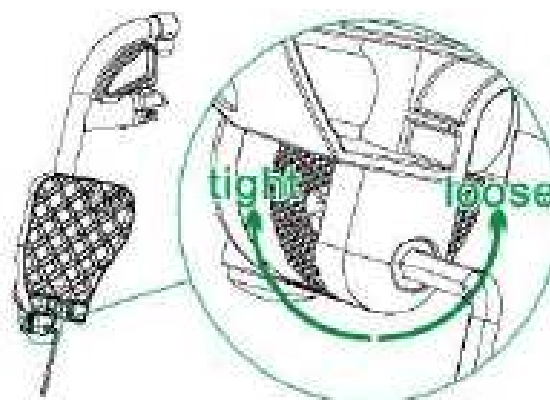
- Armrest back to normal position, must be pushing the flip up armrest unlocking lever up or down to lock it.
- Flip up the armrest while driving is prohibited. Because its dangerous.

Magnetic Braking

This product features an auto electric magnetic braking system. While driving, if the joystick is released or put into a neutral position, it will brake automatically.

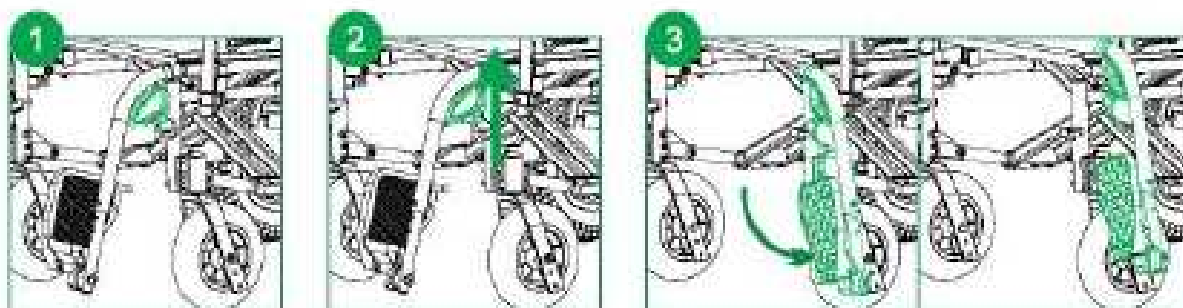
Footplate adjustment

Using attached Allen key to loosen the fixing screw by turning counter clockwise, then adjust the footrest angle, fasten it back after finished by same tool.



0 CAUTION

Up and down the footplate is unnecessary to have a tool. Make sure the footplate at its correct position before folding or after unfolding.



1. Up the footplate first.

2. Holding footrest release handle, then pulling it up to release locking. 3. Swing outward then pull up to detach.

Suggestion:

For safety reasons, please flip up the footplate and detached or swing the footrest outward before getting into or out of the chair.

Folding Front Frame

1. Detached the footrest first.



2. To loosen the backrest tension bar by pulling it up.



3. Pulling the seat up at its central point.



4. Push both side frame against to close it.



5. Press down both side folding back unlocking lever.



6. Push down the backrest vertically for shrink folded cubic content.



7. Complete folding process.



A WARNING

- When attempting to fold the chair, do not place force at backrest joint or armrest. Place pressure on side of frame, being careful not to catch hand or fingers as the chair folds.
- Also note after the backrest is folded, please ensure it is fixed & locked into place. Do not fold the backrest whilst driving.

QUICK RELEASE WHEEL SET & OPERATION

Assembling Large Rear Wheels

1. **Disassembling** the rear frame. Prepared left & right rear wheel and front frame.



2. Pressing the button on quick release axle, and insert the axle with wheel in rear wheel axle bushing horizontally.



3. Make sure it's fixed properly after finished.

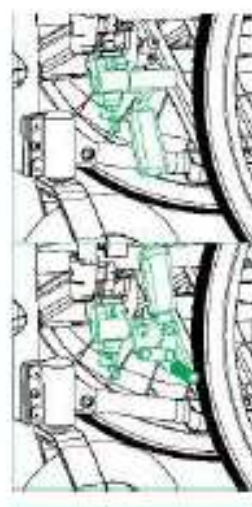


A WARNING

In order to avoid tipping, please noted that the anti-tipping device are only attached under this power driving mode.

Manual Lock

It must be mounting the manual lock under this manual driving mode. The lock handle must be toward upside and its lock switch must be toward left or right to lock.



DISPOSAL

This product cannot be recycled and should be disposed of separately from household waste. Separate collection & disposal of your product will help conserve natural resources and ensure it is disposed of in a manner that protects the environment. Ensure you are the legal owner of the product prior to making arrangements for its disposal in accordance with the above recommendations.

WARRANTY

Your Breezy product is warranted to be free of defects in materials and workmanship. This warranty is limited to the original consumer purchaser.

- “We” means **Emobility Shop**.
- “You” means the consumer of the Goods within the meaning of the Australian Consumer Law.
- “Place of Purchase” means the authorised retailer, distributor or wholesaler that sold you the Goods in Australia.
- “Goods” means the product/s accompanied by this warranty and purchased in Australia.

Australia Only: Our Goods come with guarantees that cannot be excluded under the Australian Consumer Law. You are entitled to a replacement or refund for a major failure and for compensation for any other reasonably foreseeable loss or damage. You are also entitled to have the Goods repaired or replaced if the goods fail to be acceptable quality and the failure does not amount to a major failure.

In addition to any rights and remedies you may have under other laws relating to the Goods, we provide you with the following warranty:-

1. If, during the first 12 months of use from the date of purchase, or during the first 3 months if the Goods have been used commercially (Warranty Period), there is a defect in the Goods due to improper workmanship or material, we will replace the Goods without charge. Any replacement product is warranted only for the time remaining on the original Warranty Period.
2. We are not obliged to replace the Goods under clause 1 if the Goods have been improperly used, operated, repaired, damaged, abused, installed or tampered with by unauthorised persons, or not maintained in accordance with the manufacturer’s instructions. If the Goods consist of a number of accessories, we may choose to only replace the defective accessory.

3. The warranty provided under clause 1 is limited to replacement of the Goods only. To the extent permitted by law, we exclude liability for:-
 - a) Consequential loss or any other loss or damage caused to property or persons arising from any cause whatsoever;
 - b) Breakables such as glass and ceramic items
 - c) Damage to consumable items; and
 - d) Damage arising from normal wear and tear
4. In order to claim under warranty you must, within the Warranty Period, return the Goods to the place of purchase, together with the original proof of purchase, and this warranty page including the details below.
5. This warranty does not cover the cost of claiming under the warranty or transporting the Goods to and from the Place of Purchase.
6. This warranty only applies to Goods purchased in Australia.

This page is intentionally blank.

