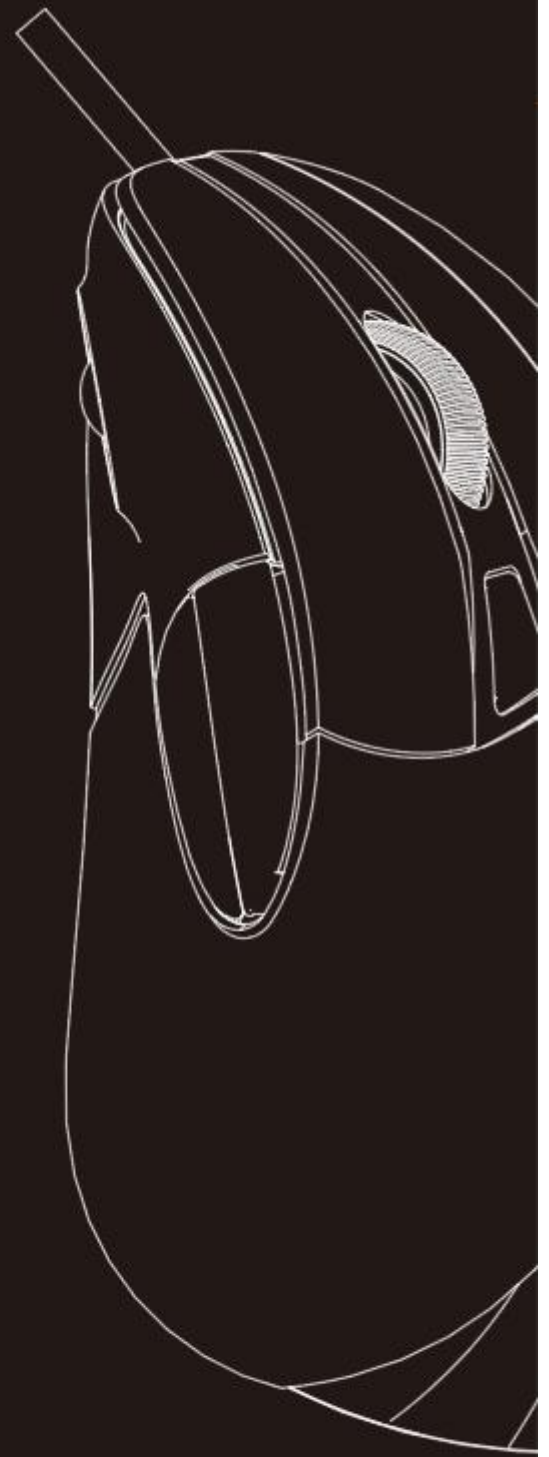


# LM138

Dongguan Togran Electronics Technology Co., Ltd  
Add: No.262 Shidan Rd, 3rd Industrial Park, Juzhou Area,  
Shijie Town, Dongguan City, China 523290

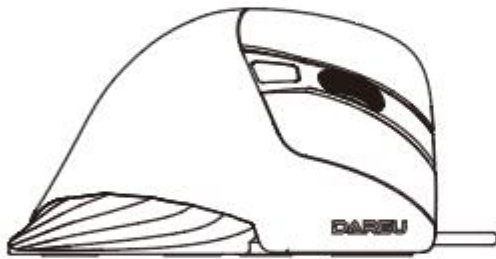
Tel: +86 769 86308806 Fax: +86 769 86308826  
Email: [Info@dareu.com](mailto:Info@dareu.com) [CS@dareu.com](mailto:CS@dareu.com)  
Web: [www.dareu.com](http://www.dareu.com)



# User Manual

# What's in the box

---



Mouse x 1



User manual x1

## Product overview

---

① Right button

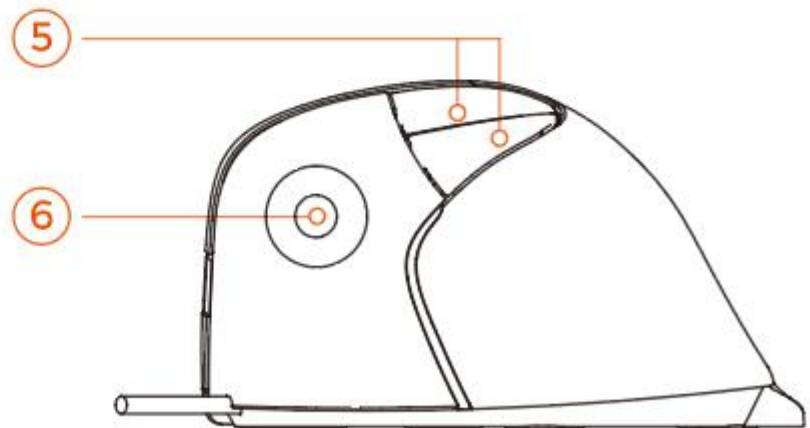
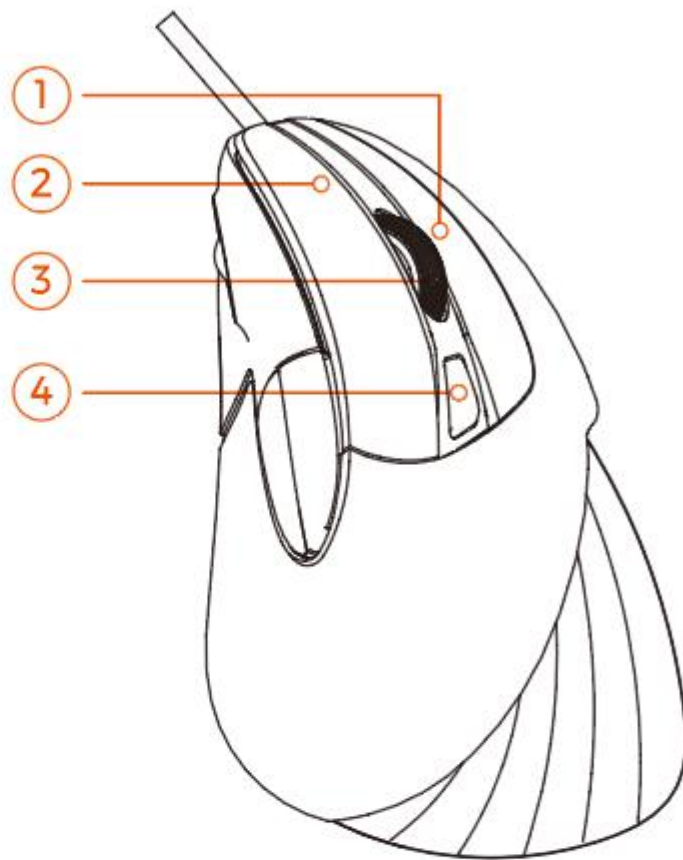
② Left button

③ Scroll Wheel

④ DPI button

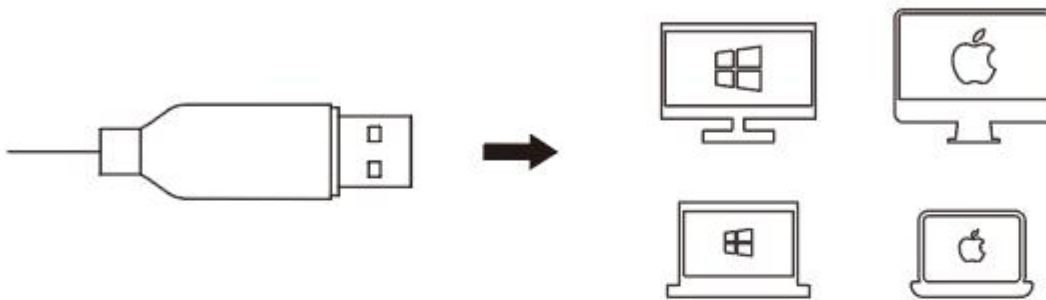
⑤ Forward/Backward

⑥ DPI indicator light



## How to use

---



### Plug and play

Compatible with Windows XP, Win 7, Win 8, Win 10, etc.

Plug and play, convenient and quick.

## Mouse parameter

---

### Physical specification

Connection way: wired with USB

Cable length: 1.8M

Material: ABS+Rubber enamel

Buttons: 6

Microswitches lifespan: Left & Right up to 3 million clicks

Dimension: 117\*76\*67.5 mm

Weight: 90±5g (Not include cable)

---

### Electrical specification

DPI: 1000-1200-3200-6400

Tracking speed: 32 IPS

Acceleration: 12 G

Report rate: 125 Hz

Compatibility: Windows XP/Win 7/Win 8/Win 10