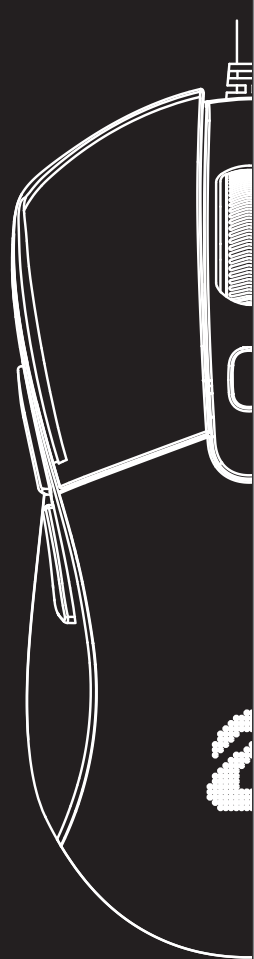
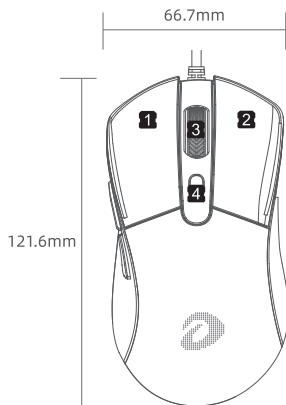




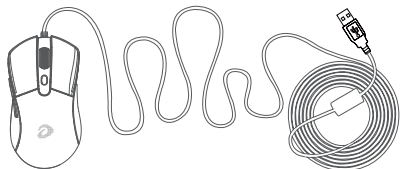
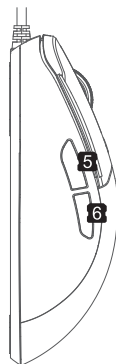
User Manual



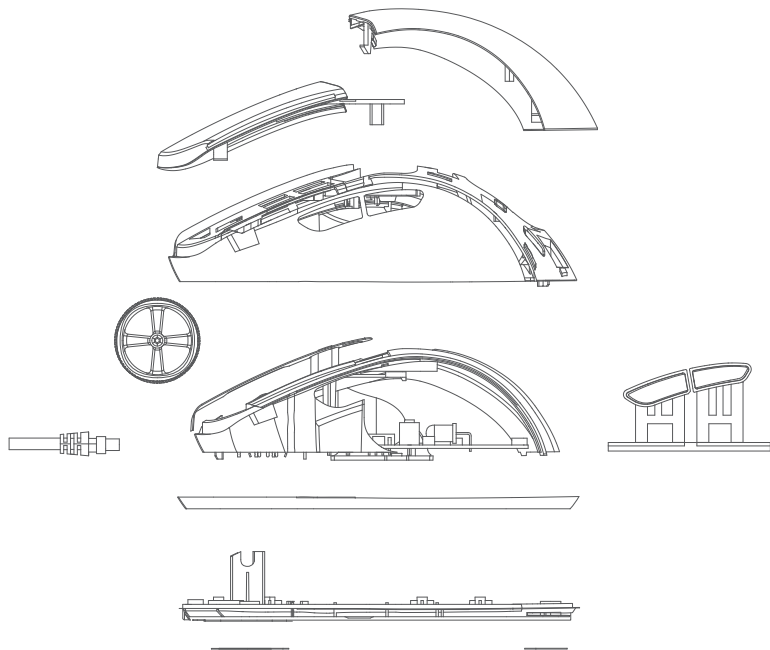
1.Button instruction



- 1.Left button
- 2.Right button
- 3.Scroll button
- 4.DPI button
- 5.Forward button
- 6.Backward button



2.Exploded Views



3.What's in the box

A960 or A960s in the box 1PCS
 User manual 1PCS

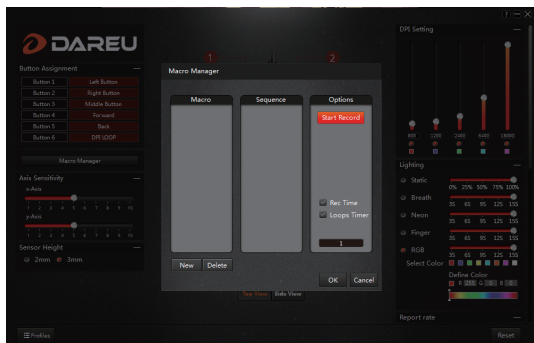
4.Parameter

Wired mouse	Sensor	PMW3336	PMW3337
Physical Parameter	Button	6 Macro buttons	
	Weight	65g (Without cable)	
	Dimension	121.6x66.7x39.6 mm	
	Cable length	1.8M Ultra soft umbrella rope cable	
	Backlight	RGB	
Electronic parameter	DPI	800-1200-2400 (Default) -6400-12000	800-1200-2400 (Default) -6400-18000
	DPI lighting sequence	Red-Blue-Green-Cyan-Purple	
	Reporting rate (By driver)	125/250/500/1000HZ (Default)	125/250/500/1000HZ (Default)
	Acceleration	30G	50G
	IPS	150	420

5.Driver

1

Driver interface



2

Marco interface

Download the driver from DAREU website if needed.

A960 series

Factory: Dongguan Togran Electronics Technology Co.,Ltd.
Factory ADD: No.262 Shidan Road, 3rd industrial park, Juzhou Area ,
Shijie Town, Dongguan City, Guangdong Province, China.

Tel.: +86 769 8630 8806

Fax: +86 769 8630 8826

Email: Info@dareu.com CS@dareu.com

Web: www.dareu.com