

# **180 / 270 DEGREE AWNING USER MANUAL**

SH-SA180-GREY / SH-SA270-GREY-S / SH-SA270-GREY-L

Please read this manual carefully before installation, and retain it for future reference.

V1.2

## **ABOUT US**

Founded in 2018, the San Hima brand stands for passion and enthusiasm for exploring the spectacular nature of the great outdoors. Since its inception, the trusted solutions and proven designs that San Hima offers to the market have made adventure and travelling flexible and enjoyable!

Headquartered in Australia, San Hima proudly offers an extensive range of overland solutions. Our diverse offerings include cargo systems, towing solutions, caravan and trailer parts as well as car camping equipment. Designed to accompany you on your journeys and enhance your performance when conquering the peaks, our products are crafted for those with a passion for exploration.

At San Hima, we have wild souls and we are committed to providing products that are tough enough to take on any adventures and at the same time, making them safe and easy to use. These values in our conviction are what drive us to make innovations. Because pursuing your passion should never be complicated.

Live the Peak, Conquer the Everest, San Hima is your brand of choice!

## WARNINGS AND SAFETY INSTRUCTIONS

- DO NOT set up the awning in strong winds or extreme weather conditions.
- We strongly recommend pegging all vertical legs to the ground, and attaching and pegging all guy ropes to enhance stability.
- Be cautious of guy ropes as they pose trip hazards both in daylight and during the night.
- Keep hands away from pivoting poles while assembling or disassembling the awning.
- Keep all flame and heat sources at a distance.
- DO NOT place any load on the awning fabric or use the awning as assistance to lift your body weight onto the roof of the vehicle.
- Remove the awning prior to entering an automatic car wash.
- Consider the load capacity of your roof rack or crossbars when installing the awning. Note that the weights are approximately 20.7kg for SH-SA180-GREY, 21kg for SH-SA270-GREY-S, and 27.6kg for SH-SA270-GREY-L.
- Regularly inspect bolt connections based on road conditions, usage, and distances traveled.

## PARTS LIST

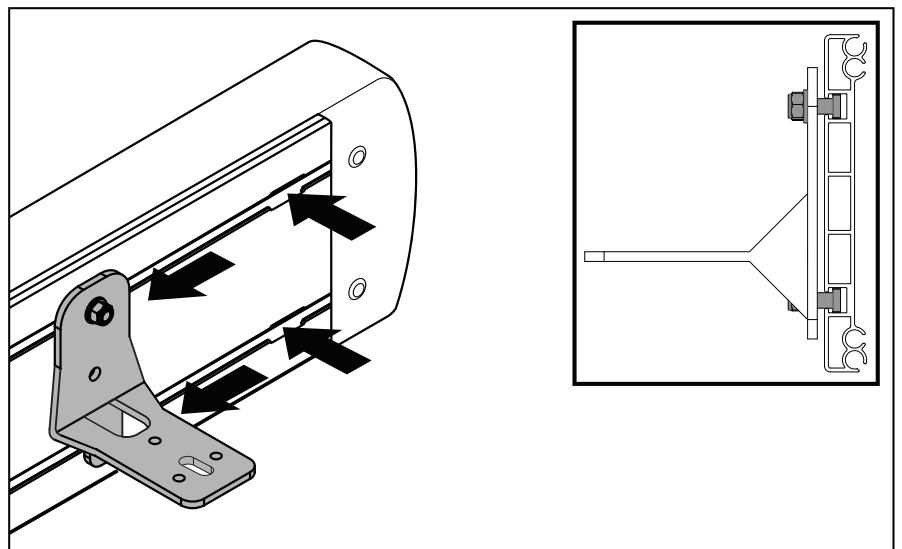
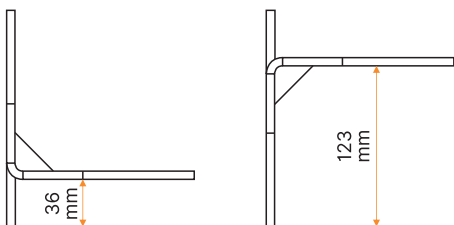
SH-SA180-GREY	SH-SA270-GREY-S	SH-SA270-GREY-L
	1 x San Hima Awning	
	2 x Mounting Brackets	
/	1 x Strap	2 x Straps
4 x Guy Ropes	4 x Guy Ropes	6 x Guy Ropes
4 Pegs	4 Pegs	6 Pegs
	1 x USB to DC Adaptor Cable	
	12 x M8 T-Bolts	
	12 x M8 Washers	
	12 x M8 Nuts	
	4 x M6 Bolts	
	4 x M6 Flat Washers	
	4 x M6 Spring Washers	
	4 x M6 Channel Nuts	
	1PC x Storage Bag	
	1PC x User Manual	

# INSTALLATION

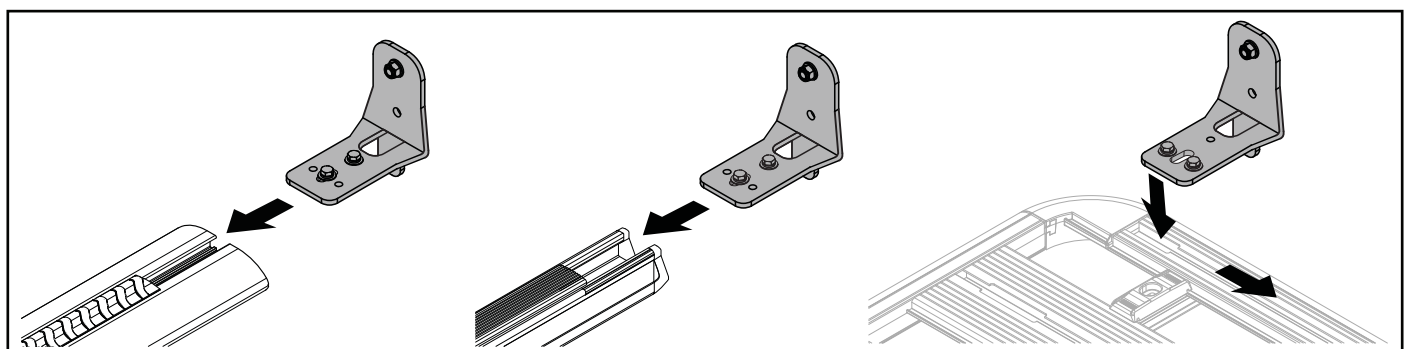
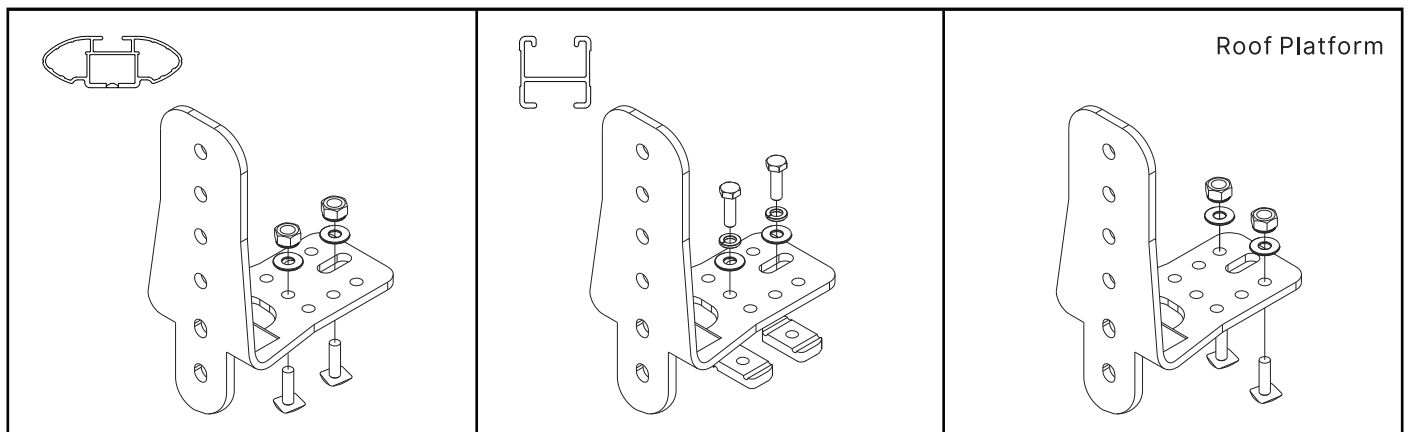
- Slide the bracket assemblies into the awning slots, leaving the bolts loose for adjustment on your roof rack or crossbars.

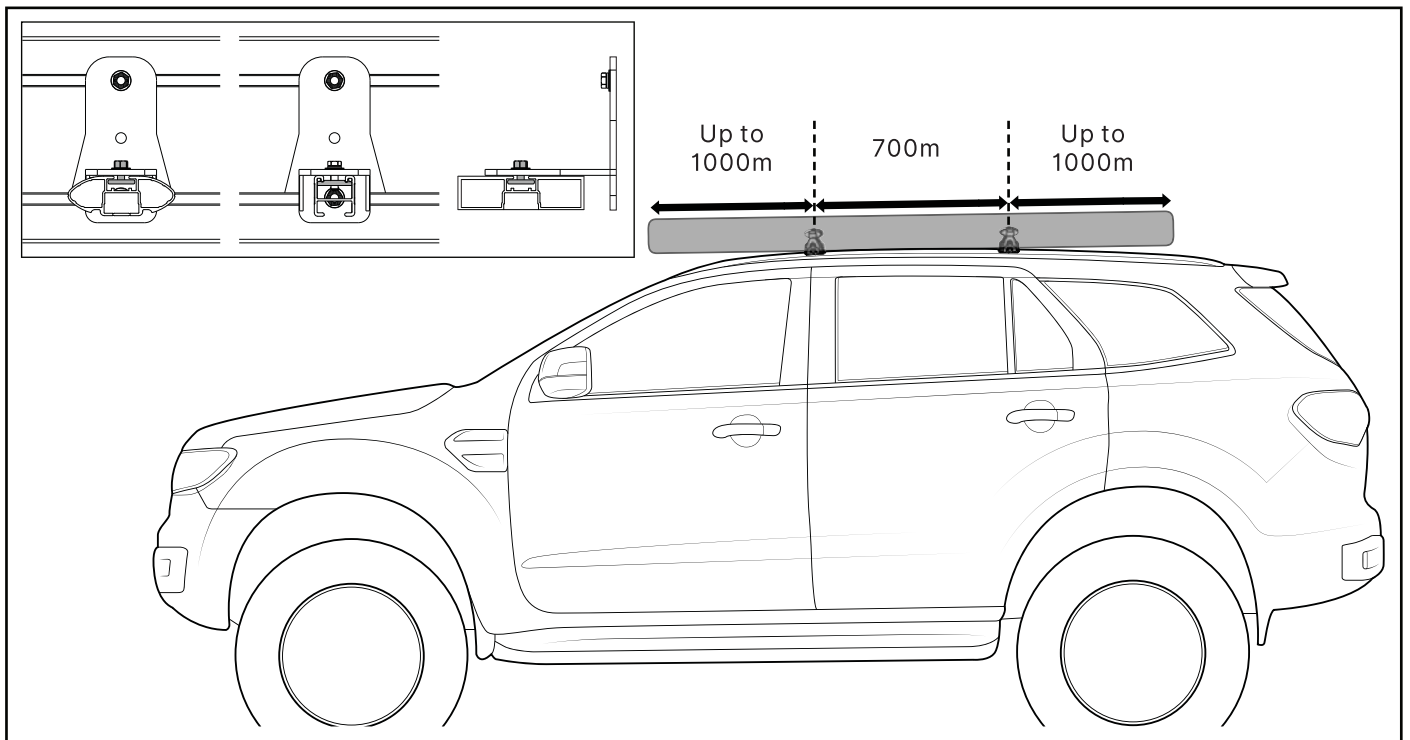
**Note:**

To ensure proper door clearance, adjust the bracket orientation to achieve the desired height.



- Attach the awning to your roof rack or crossbars with supplied bolts, washers and nuts, adjust it based on your tailgate position, and tighten using a socket wrench. Make sure the hardware is correctly positioned within the roof rack or crossbars for secure installation.

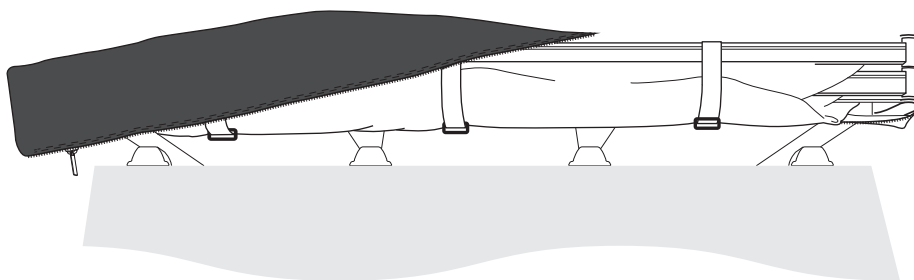




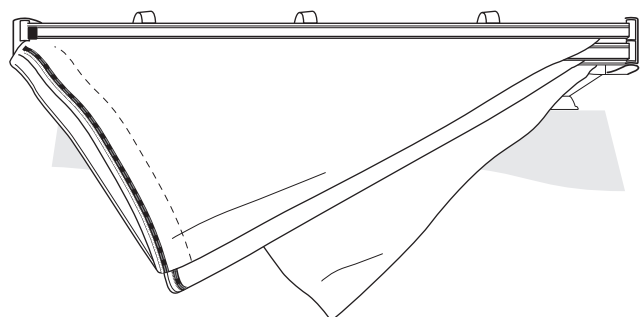
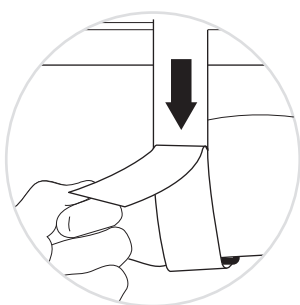
**Note:** Ensure a minimum spacing of 700mm between the mounting brackets, and the unsupported ends of the awning should not exceed 1000mm.

## SETUP

- Unzip the storage bag and fold it over the awning body.

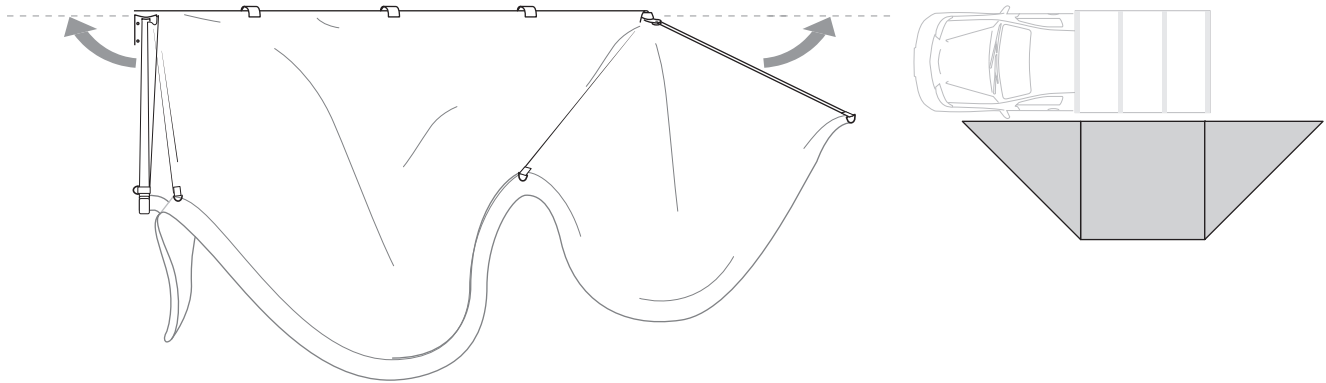


- Loosen the three straps and allow the fabric to hang freely.

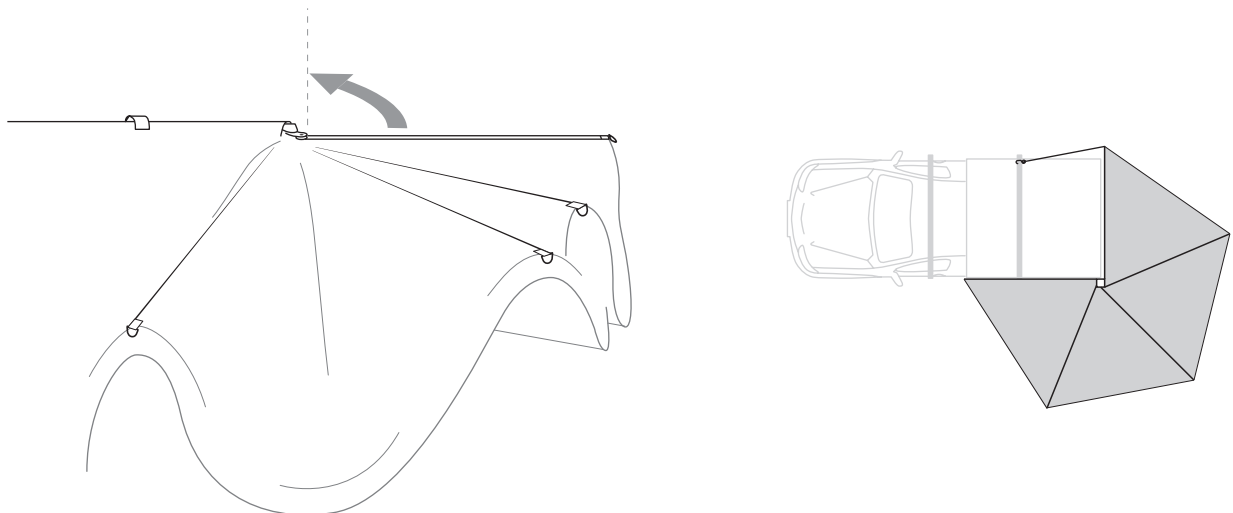


- Swing the arms outward until the fabric is completely extended. For 270 degree awnings secure the awning by fastening the supplied strap(s) to your vehicle with tension:

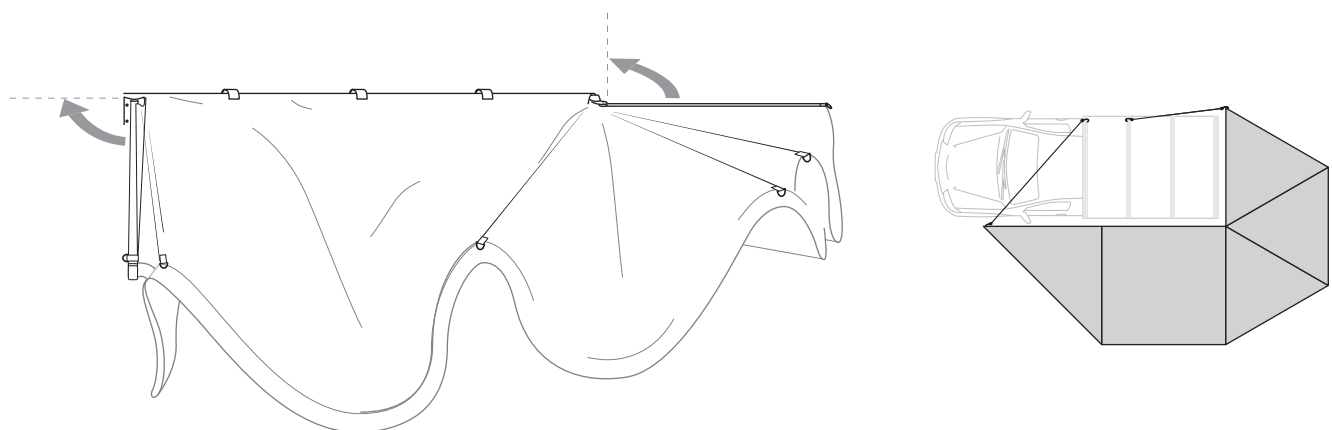
## SH-SA180-GREY



## SH-SA270-GREY-S

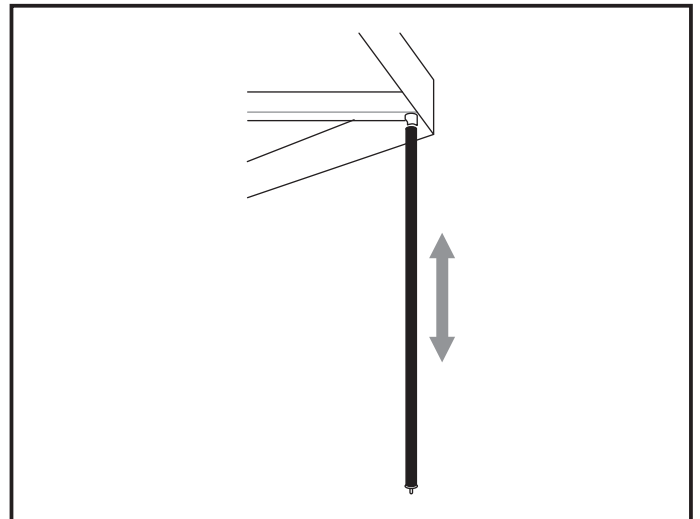


## SH-SA270-GREY-L

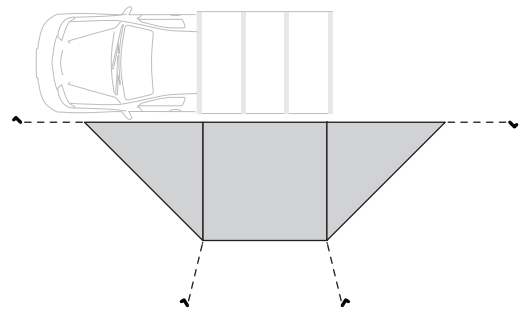


The use of vertical legs, guy ropes, and pegs is optional but highly recommended, especially during harsh weather conditions for enhanced stability.

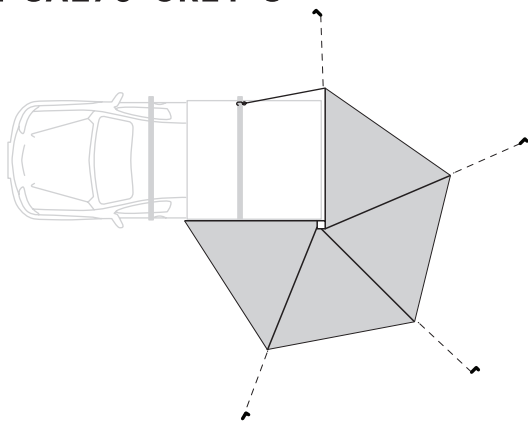
- Pivot down vertical legs to a VERTICAL position, adjust them to your desired height, and drive the built-in pegs into the ground.
- Insert the supplied pegs into suitable ground. Fasten the guy ropes from the awning to the pegs:



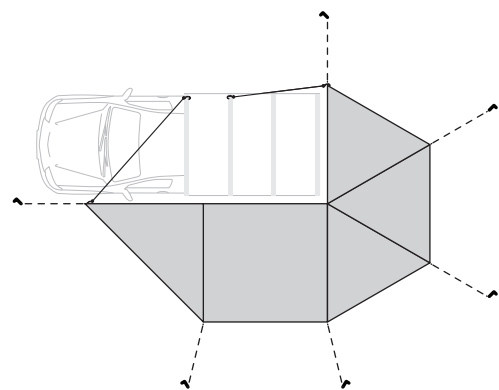
**SH-SA180-GREY**



**SH-SA270-GREY-S**



**SH-SA270-GREY-L**



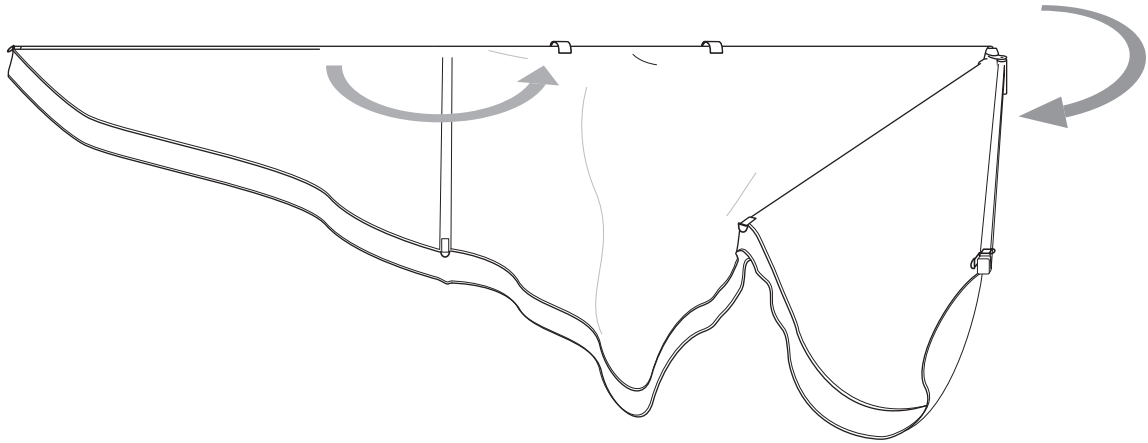
• **Note:**

1. Be aware on some vehicles a vertical leg can hit the rear of the vehicle when dropped down. Simply undo the strap, drop the support, then re-attach the retention strap.
2. In case of rain, lower the vertical legs to allow downward slope to form valleys for water run-off.
3. Once these heights are set for your vehicle, they can be left at this length even when stowed away.

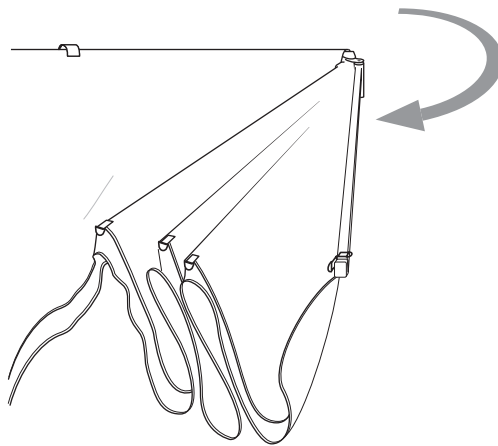
## PACK UP

- Unfasten all pegs and guy ropes, and neatly stow them in their storage bag.
- Pivot up the vertical legs and stow them, ensuring they clip into position.
- Release the straps attached to the vehicle.
- Swing the arms back towards the body of the awning:

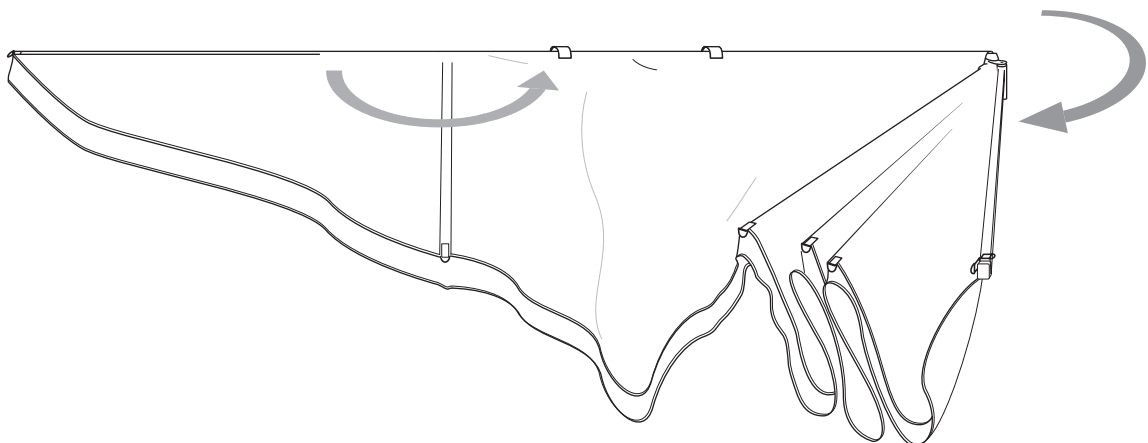
### SH-SA180-GREY



### SH-SA270-GREY-S

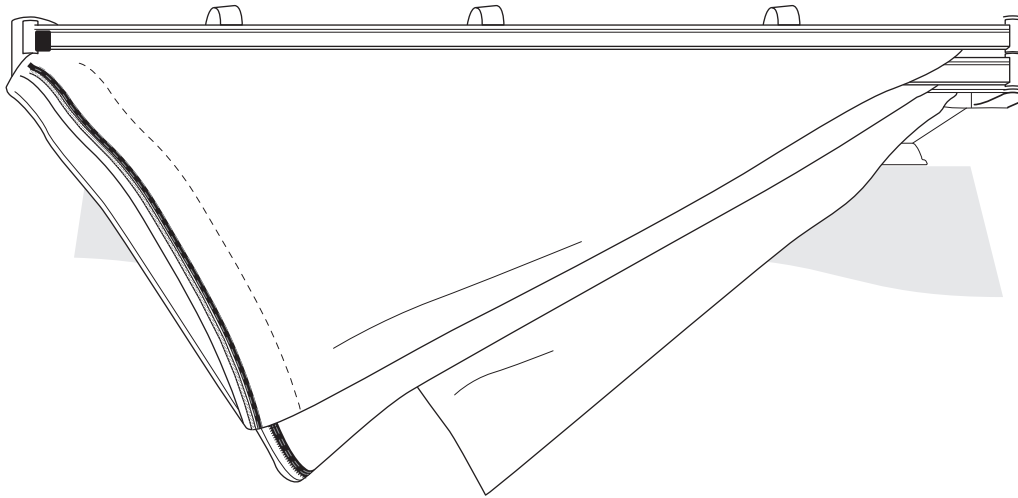


### SH-SA270-GREY-L

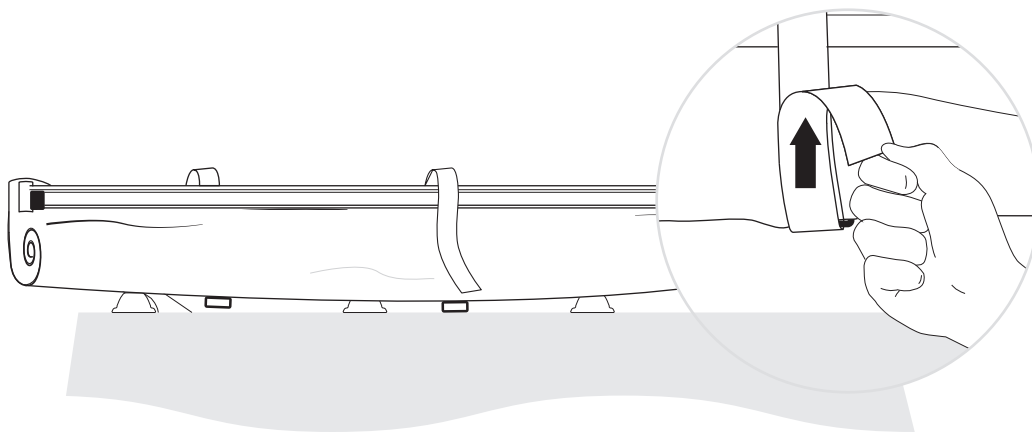




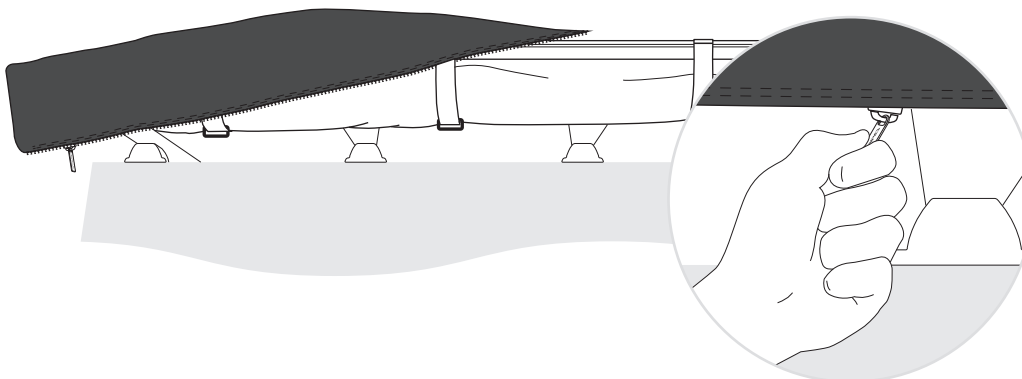
- Make sure the fabric hangs towards the ground in a triangular shape without bunching up.



- Grasp the fabric at the point of the triangle, roll it towards the top of the awning, and secure it with the three straps.



- Place the storage bag cover over the awning and zip it up.



## SPECIFICATIONS

Product Weight	20.7kg	21kg	27.6kg
Coverage	180°, 7.8m <sup>2</sup>	270°, 7m <sup>2</sup>	270°, 11m <sup>2</sup>
Storage Bag Dimensions	2008*198*168mm	2008*198*168mm	2148*198*188mm
Awning Material	600D Double-Ripstop Oxford		
Pole Material	Powder-Coated Aluminum		
Storage Bag Material	580gsm PVC		
Waterproof Rating	3000mm		
Sun Protection Rating	UV50+		

## CARE AND MAINTENANCE

- Clean with cold water and a soft bristle brush. Avoid using soaps and detergents. Do not expose the awning to petrol, diesel, oils, or chemicals of any nature.
- Ensure the awning is completely dry before storing. If the awning needs to be stowed wet on occasion, it is essential to unpack and dry it as soon as possible.

## **WARRANTY**

San Hima warrants that each 180 / 270 degree awning that is purchased while this Warranty is in effect will be free from defects in materials and workmanship for a period of 2 years from the date of receiving the product from San Hima or its authorized distributor/dealer. If it is believable to be defective during the 2-Year Warranty Period, San Hima will, at its option, replace it with the same or similar product, or issue a refund for the defective San Hima product. And San Hima will pay for the cost of shipping or transportation of a defective component. This warranty terminates if a Purchaser transfers the product to any other person. And please retain your purchase receipt for Your records.

Please ensure that the San Hima 180 / 270 degree awning should be installed, set up and packed up in accordance with warnings and instructions listed in the user manual, and should be used for the purpose for which it was designed.

Any and all warranty coverage does not cover: normal wear and tear (including, but not limited to, scratches, tears, or natural breakdown of colors and materials over extended time and use), commercial use, accidents, or modifications or repairs not performed or authorized by San Hima. In addition, this warranty does not cover problems resulting from conditions beyond San Hima's control including, but not limited to, theft, misuse, failure to install, setup or pack up the product in accordance with San Hima's written warnings and instructions included with the product or made available to the original purchaser.

If further information or investigation is required or if the claim does not meet the requirements under our warranty, San Hima'll let you know.