



E-BIKE ADAPTER USER MANUAL



PLEASE READ THIS MANUAL CAREFULLY BEFORE OPERATION AND MAINTENANCE,
FOLLOW ALL PROVIDED WARNING & CAUTION, AND KEEP IT FOR FUTURE REFERENCE.

MB-EBB-BLK
V1.0



SAFETY INSTRUCTIONS & WARNINGS

- Use this adapter only for transporting one e-bike/bike.
- DO NOT use this adapter with a tandem or recumbent.
- Ensure the total e-bike/bike weight does not exceed 70lbs.
- NEVER install this adapter on trailers or any other towed vehicles.
- DO NOT use this adapter in off-road conditions.
- Periodically check the attachment between your e-bike/bike and the adapter, especially during extended use.

PARTS INCLUDED

1PC(s) E-Bike Adapter

1PC(s) User Manual

SPECIFICATIONS

Product Weight: 2.20lbs (1.0kg)

Product Dimensions: 23.62 x 3.35 x 2.17in (60 x 8.5 x 5.5cm)

Tube Diameter: 1.50in (3.8cm)

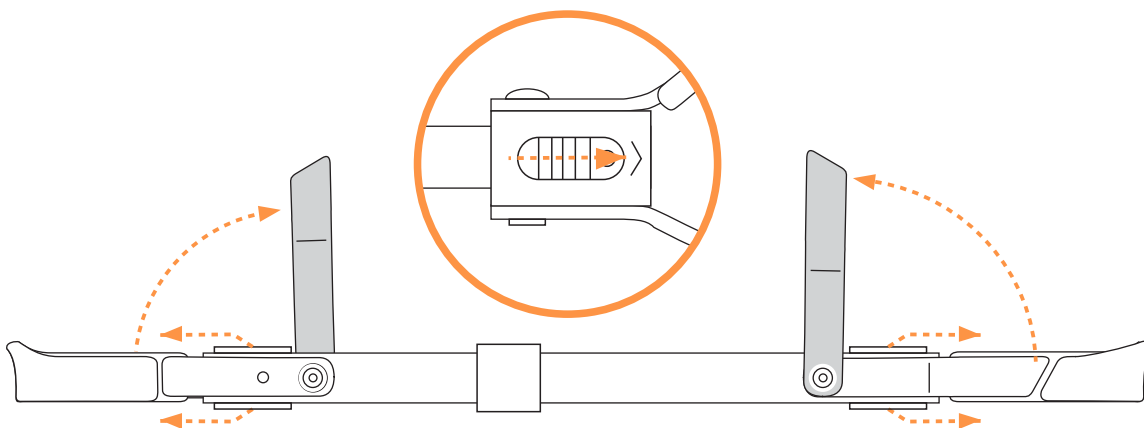
Hook Width: 2.17in (5.5cm)

Distance Between Hooks: 18.90~27.56in (48~70cm)

Max. Loading Capacity: 70lbs (31.8kg)

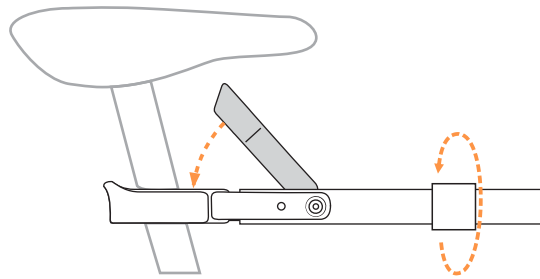
OPERATION

1. Slide the release buttons and twist the gates open.

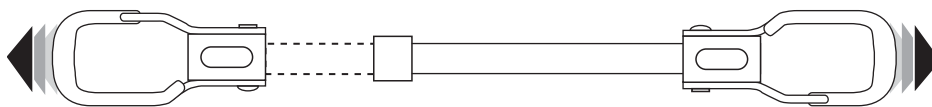




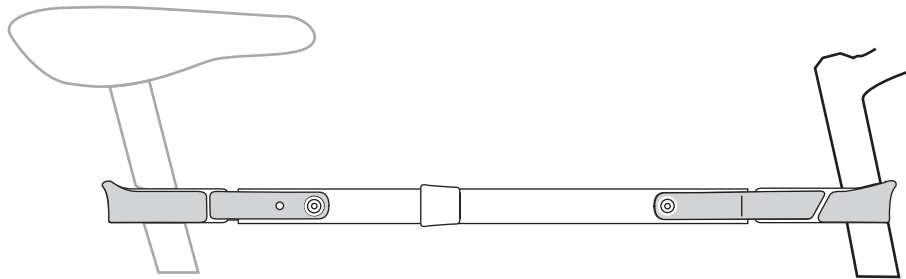
2. Loosen the tube nut, put one hook around the seat post, and then twist the gate closed.



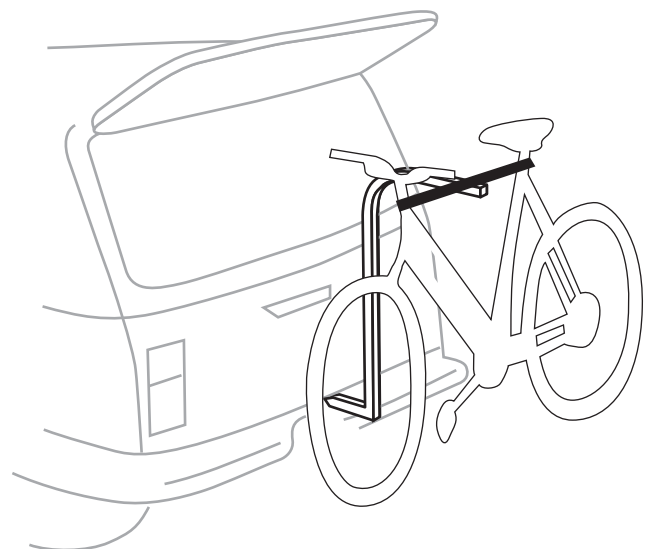
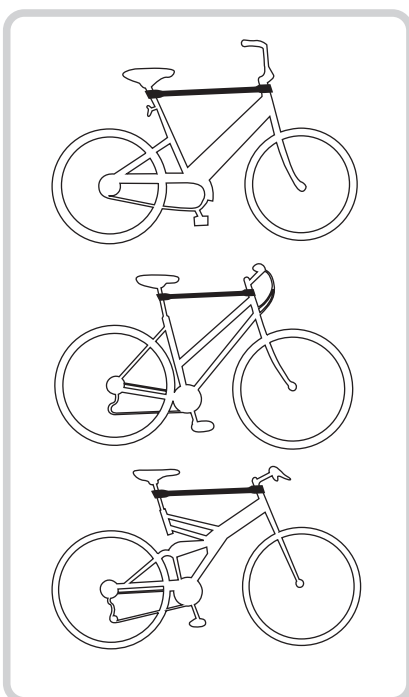
3. Extend the tube until the opposite hook fits around the handlebar stem.



4. Place the hook around the handlebar stem and twist the gate closed. Then tighten the tube nut.



5. Mount your e-bike/bike onto your bike rack.



WARNING:
Make sure the hooks are fully closed for secure e-bike/bike mounting.



WARRANTY

MOBI OUTDOOR warrants that each e-bike adapter that is purchased while this Warranty is in effect will be free from defective workmanship and materials for 2 years.

Conditions:

If the Purchaser acquired a Product for the purpose of resupply, then this Warranty shall not apply to that Product.

In particular, the sale of a Product via an online auction, online store or other Internet website by a party that is not an authorised distributor or reseller of the Product will be deemed to be a resupply and will render this Warranty void, as MOBI OUTDOOR has no control over the storage, handling, quality or safety of Product sold by such persons.

While MOBI OUTDOOR warrants that the Product will be free from defects in materials and workmanship in the circumstances set out in this Warranty, to the maximum extent permitted by law MOBI OUTDOOR does not warrant that the operation of the Product will be uninterrupted or error-free.

Exclusions and limitations:

This Warranty will not apply to, or include any defect, damage, fault, failure or malfunction of a Product, which MOBI OUTDOOR determines, in exercise of its sole discretion, to be due to:

- normal wear and tear or exposure to weather conditions over time;
- accident, misuse, abuse, negligence, vandalism, alteration or modification;
- non-observance of any of the safety instructions and warnings supplied by MOBI OUTDOOR;
- lightning, flood, storm, hail, extreme heat, fire or other occurrence outside the control of MOBI OUTDOOR;
- use other than for any reasonable purpose for which the Product was manufactured;
- any indirect or incidental damage of whatever nature outside the control of MOBI OUTDOOR.

Claims:

Contact the original point of purchase for instructions.

Request return authorization. No returns will be credited without an authorization.

In the case of returned products, the Product must be packed with enough padding and in the appropriate cartons to eliminate the risk of damage in transit.

MOBI OUTDOOR has the option to credit or replace products deemed defective and under warranty.

MOBI OUTDOOR shall not be liable for indirect, accidental or consequential damages arising out of the sale or relating to the use of this Product. The end user assumes all responsibility for any and all personal injury and property damage resulting from the use, maintenance, or transportation of the Product. The liability to us for any and all claims shall not exceed the purchase price of the Product.

This limited warranty is in lieu of, and manufacturer disclaims and excludes, all other express warranties.

Manufacturer further limits the duration of all, whether statutory, express or implied warranties, including, without limitation, any warranty of merchantability or fitness for a particular purpose, to the warranty period. Manufacturer's exclusive liability for breach of any warranty on the Product shall be to replace the Product within the warranty period in accordance with the terms of this limited warranty. In no event shall Manufacturer be liable for any loss or damages of any other kind, whether direct, incidental, consequential including lost profits, exemplary, special or otherwise, including any lost profits or removal, shipping, or installation expenses.