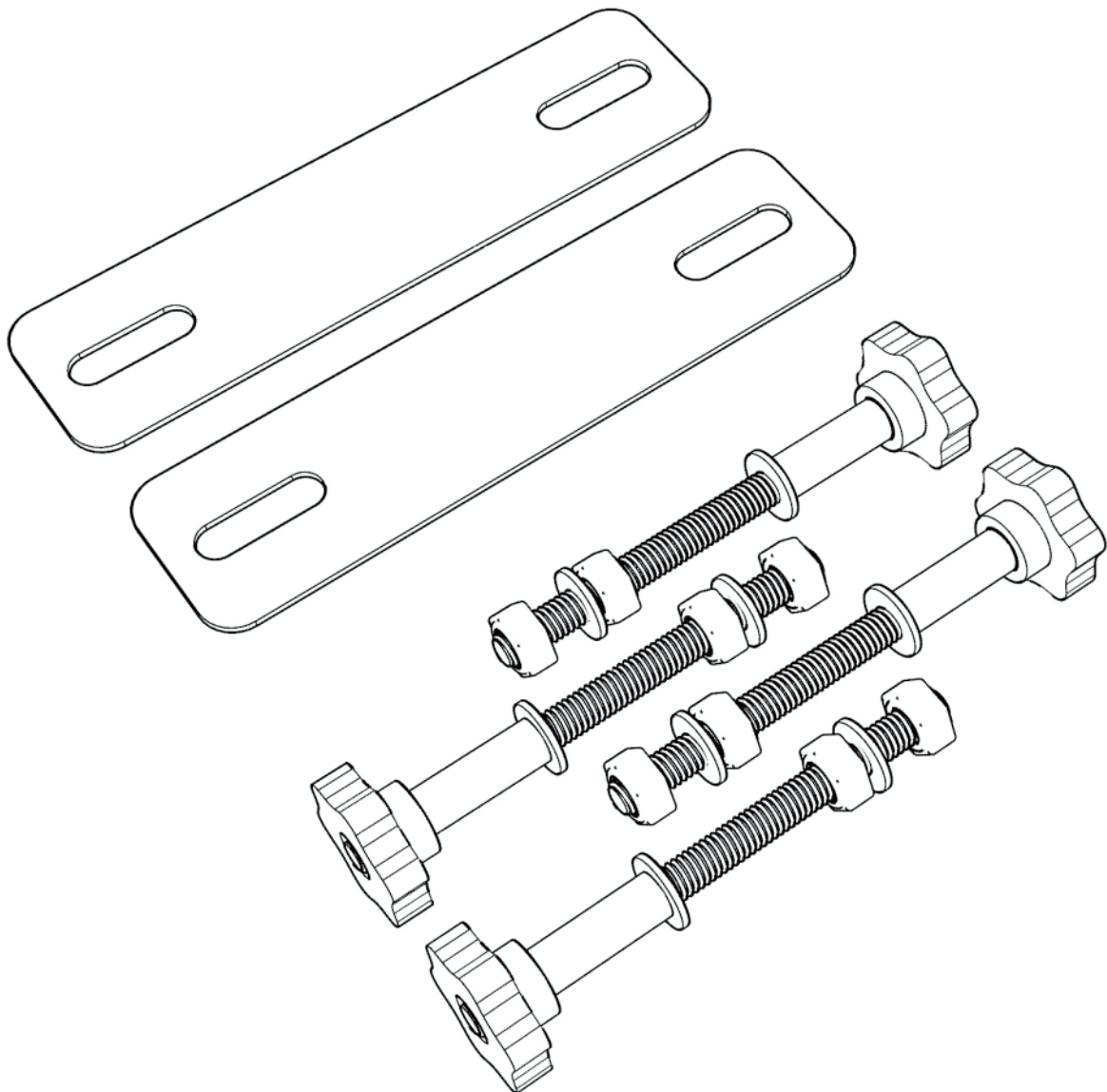


# RECOVERY TRACK MOUNTING PINS

## USER MANUAL



PLEASE READ THIS MANUAL CAREFULLY BEFORE OPERATION AND MAINTENANCE,  
FOLLOW ALL PROVIDED WARNING & CAUTION, AND KEEP IT FOR FUTURE REFERENCE.

# SAFETY INSTRUCTIONS

Read all instructions before installing this product. Failure to understand how to properly install the product could result in extensive property damage or severe personal injury.

## WORK AREA

- Keep work area clean, free of clutter and well lit. Cluttered and dark work areas can cause accidents.
- Keep children and bystanders away while installing the product.

## TRACTION BOARD MOUNTING KIT USE AND CARE

- Please note that this product is designed for use with recovery tracks with 12~17cm (4.72~6.69") hole spacing only.
- Do not modify the product in any way. Unauthorized modification may impair the function and/or safety and could affect the life of product.
- It is always suggested to use all 4 mounting pins for securing your traction boards.
- One washer must be installed between the recovery track and a bolt sleeve to protect the surface of the recovery track.
- You can cut and shorten the bolt sleeves if they are too long and the knobs cannot be tightened completely.
- Tighten all nuts with a wrench.
- Check that the mounting pins and the recovery tracks are secure before driving, and regularly during your journey, particularly on rough roads and tracks.

# CONTENTS

Base Plates x2



Pins x4



Bolt Sleeves x4



Nuts x8



Washers x8



Knobs x4

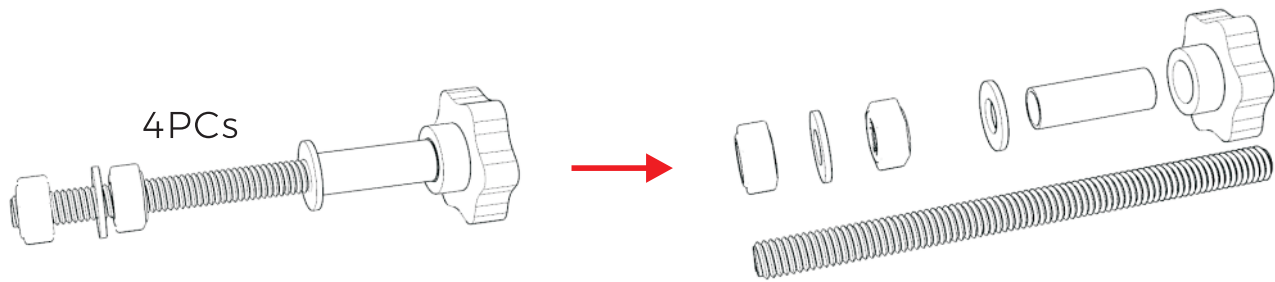


# SPECIFICATION

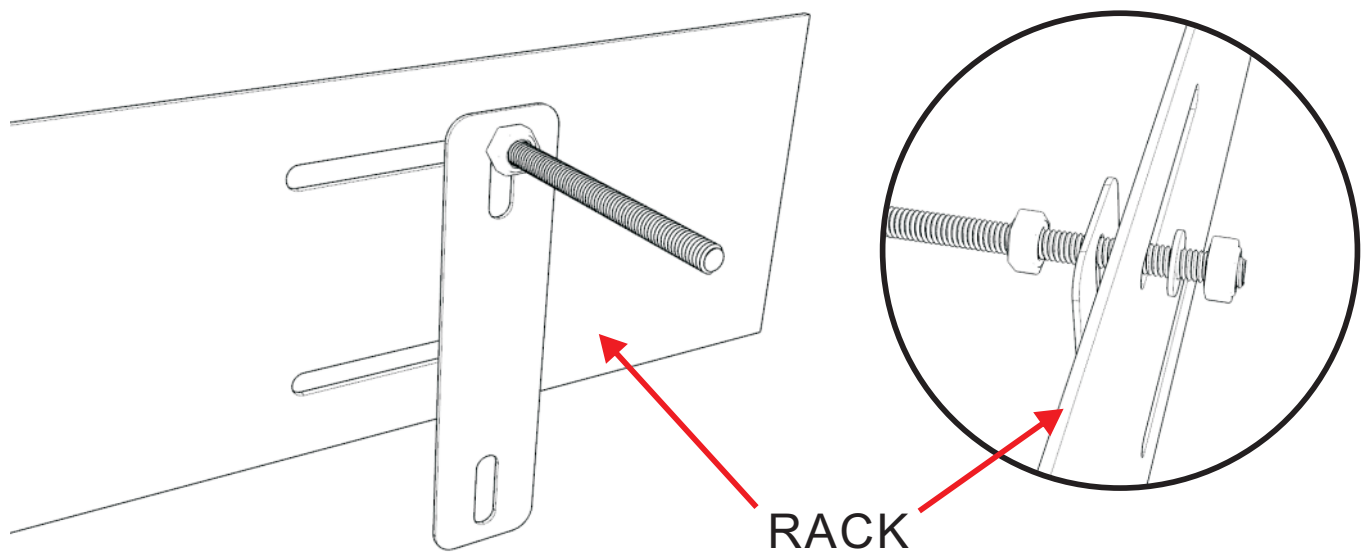
Pin	Size: M10 x 140	Material: Steel	Finish: Chrome Plated
Base Plate	Size: 20 x 5cm (7.87 x 1.97")	Material: Steel	Finish: Powder Coated
Product Weight	0.44kg (0.97lbs)		
Compatible Traction Board Hole Spacing	12~17cm (4.72~6.69")		

# INSTALLATION

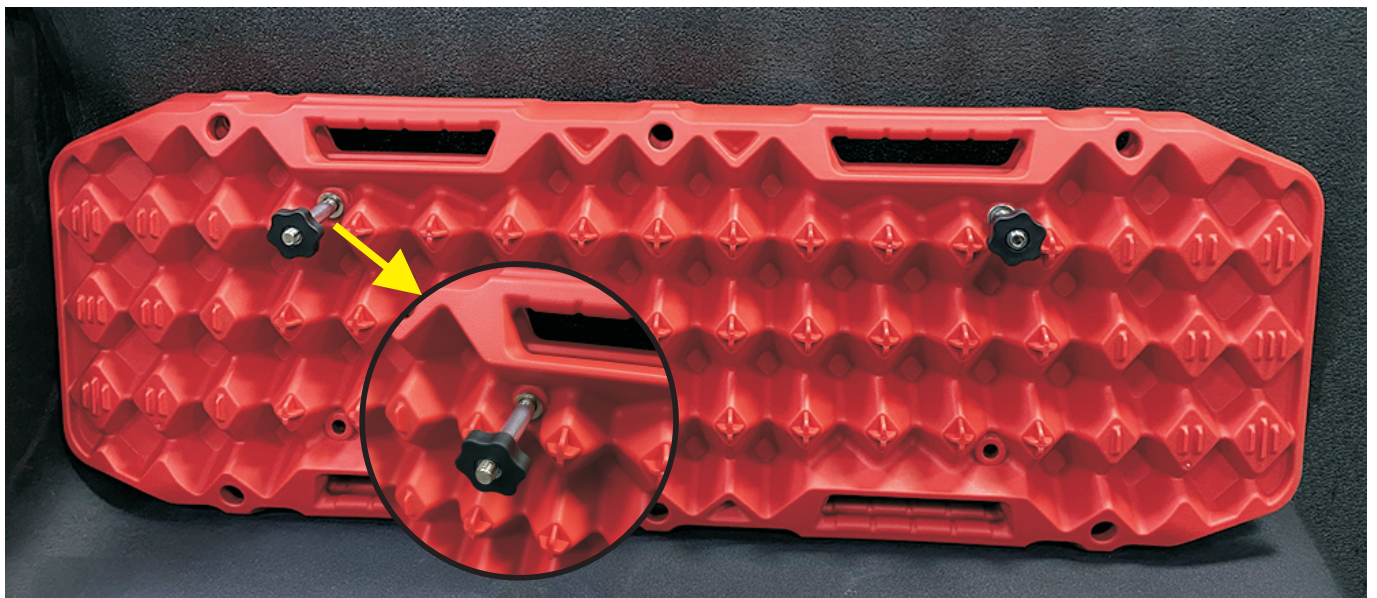
1. Disassemble all the hardware.



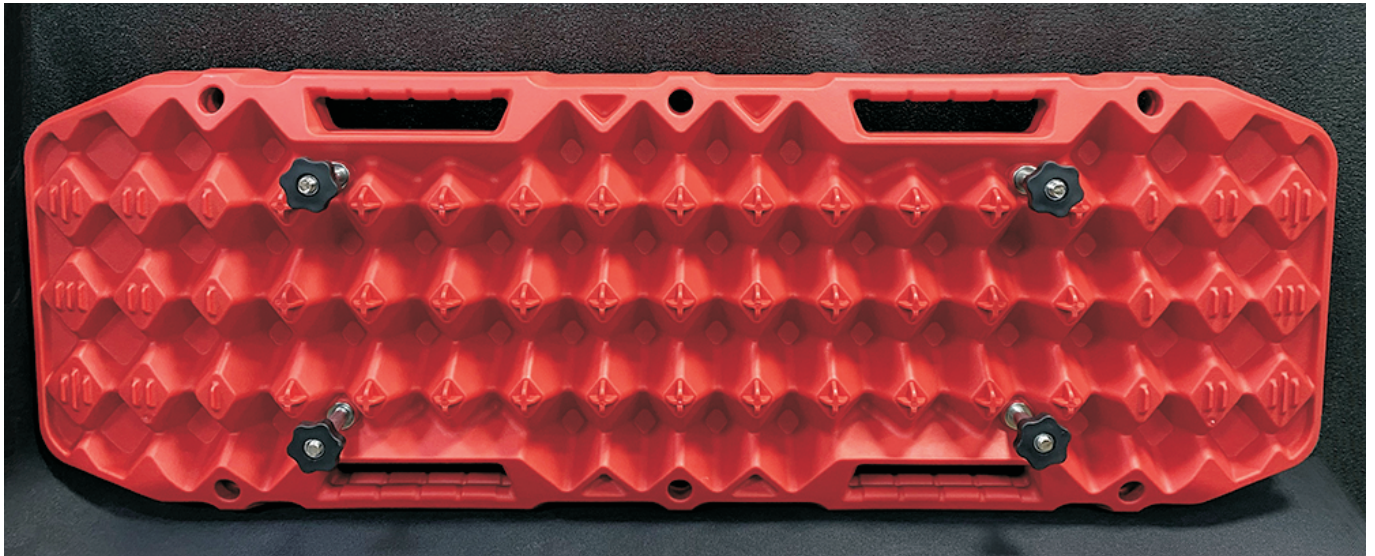
2. Find or drill two holes on the rack that can be aligned with two holes of the traction board(s).
3. Insert a pin into one base plate and one predetermined hole on the rack, and install one washer and two nuts as shown in the figure.



4. Repeat with the other base plate and the other predetermined hole on the rack.
5. Position the traction board(s) onto the rack with the two pins going through the two holes of the traction board(s). Install washers, bolt sleeves and knobs.



6. Insert the rest two pins into the rest two holes of the base plates and through the traction board(s). Install nuts, washers, bolt sleeves and knobs in the same way as in step 3~5.



7. Tighten all knobs by hand, and tighten all nuts with a wrench.

**Note:** You can also find or drill four holes on the rack that can be aligned with all four holes of the traction board(s) to mount the traction board(s) with utmost security.

## WARRANTY

- Each of our traction board mounting kit that is purchased while this Warranty is in effect will be free from defects in materials and workmanship for a period of 1 year from the date of receiving the product or its authorized distributor/dealer. If it is believable to be defective during the 1-Year Warranty Period, we will replace it with the same or similar product, or will issue a refund for the defective product.
- And we will pay for the cost of shipping or transportation of a defective component.
- This warranty terminates if a purchaser transfers the product to any other person. And please retain your purchase receipt for your records.
- Please ensure that the traction board mounting kit should be fit in accordance with instructions listed in the user manual, and should be used for the purpose for which it was designed.
- Any and all warranty coverage does not cover: normal wear and tear, incorrect fitting, damages as a result of failure to follow information in the user manual, improper or negligent use or misuse, using the traction board mounting kit other than for the purpose for which it was originally designed, failure to follow relevant vehicle safety and compliance laws, improper repair or maintenance, alteration, acts of nature, terrorism, vandalism, collision, road hazards or adverse conditions.
- If further information or investigation is required or if the claim does not meet the requirements under our warranty, we'll let you know.