



## FAQ

### Levado Adjustable Height Desk Base

9650701/9708601/8802001/8949401

*Q: Is there assembly required?*

A: Yes, there is assembly required which should take anywhere from 90 seconds to 10 minutes depending on the table top attachment method you choose. The Levado base features fold out legs that allow you to lock into place with the patent pending SwiftLok™ design. Also, to save time you can attach the table top using the no-tools VersaTop Clamps™. Simply tighten two thumb screws on each side of the base and your table top is secure. Refer to the instruction manual to decide which installation is best for you.

*Q: How much weight can the Levado Adjustable Height Desk Base hold?*

A: It can hold up to 220lbs including the weight of the table top.

*Q: What size table top does the base accommodate?*

A: The Levado Adjustable Height Desk Base accommodates table tops 48"-72" wide x 24"-30" deep.

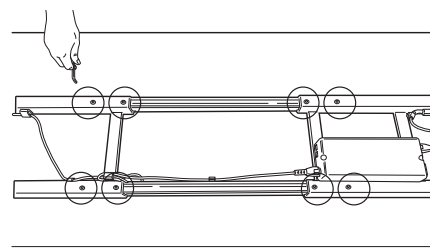
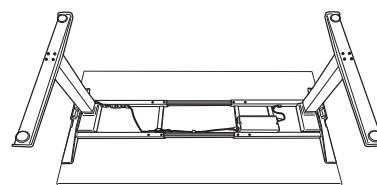
*Q: My table top is smaller or larger than 60". How do I change the width of my Levado base to fit?*

A: Make sure your table top is face down on a soft, clean surface and place base on table. Use the 5mm Allen key to loosen the (8) set screws on the inward side of the cross channels. Expand or contract accordingly until the ends are flush with the table top. Re-secure the (8) set screws. Refer to step 1B in the instruction manual.

#### **STEP 1B - Only required if table is not 60" (1524mm) wide**

Adjust the cross channels to their final lengths

- Use the 5mm Allen key to loosen the (8) set screws on the inward side of the cross channels.
- Expand or contract the cross channels until flush with both ends of the desk. Free cables as necessary to allow the frame to adjust.
- Once properly adjusted, use the 5mm Allen key to re-tighten the set screws (8 total).



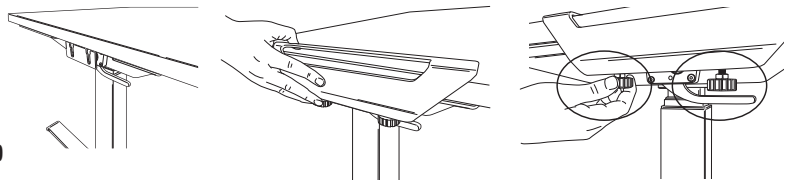
*Q: How do I fit my current table top onto the Levado base?*

A: You can use the VersaTop Clamps™ to install your current table top onto the Levado base. Ensure that the table top is 48"-72" wide x 24"-30" deep. Refer to install option 1 in the instruction manual.

### **STEP 3**

#### **Clamping base to table**

- Slide clamps on each side of the table.
- On each clamp, tighten the (2) thumb screws until each click.



*Q: How fast does the Levado base adjust in height? Does this speed reduce when more weight is applied?*

A: The height adjusts at 1.4" per second. There will not be any noticeable difference in speed with additional weight applied.

*Q: How do I set the memory on my Feather-Lift™ control paddle?*

A: There are two groups of memory settings, each with two height settings. To toggle between the two users momentarily press the M button and display will read U1 or U2. Up to four memory stop positions can be used to save specific heights of the work surface. To set a specific position: Raise or lower the table to the position you want to save. Press and hold the M button for two seconds, the LED display will blink. This means it has stored the location.

*Q: How do I clear the memory on my Feather-Lift™ control paddle?*

A: To clear storage settings, press and hold M button for 8 seconds until CLR displays.

*Q: How do I change the Feather-Lift™ control paddle to display inches instead of centimeters?*

A: Press and hold up and down at same time for 10 seconds.

*Q: How long do my cables need to be to ensure the Levado can move freely?*

A: This will depend on your setup. If any of your cables are routing to the floor be sure that they can accommodate the full range of motion up to 48.5". Refer to Accessory Installation Step 1 in the instruction manual.

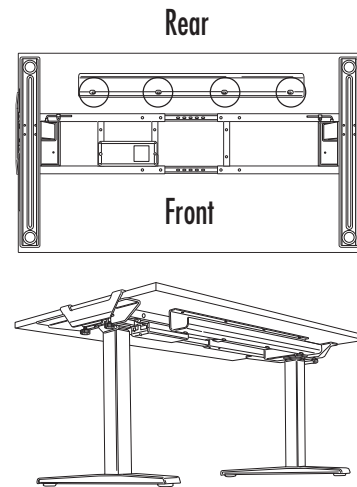
## ACCESSORY INSTALLATION

### STEP 1

#### Cable Management

- Position the cable tray in the center of the table towards the rear.
- Attach the cable tray using (4) M5 Phillips\* round head screws. The open end should face the rear.
- Use the additional provided cable management as needed.
- Cables must not interfere with table operation.
- Cables must not interfere with the user.

\*Phillips screwdriver must be at least 4" long to install the cable management



*Q: How noisy is the Levado base?*

A: The Levado base is quiet in operation and has a decibel rating range of 46-48.

*Q: I'm missing or broken/damaged a part, what do I do?*

A: Contact Fellowes Customer Service team and we will be glad to assist you 1-800-955-0959.

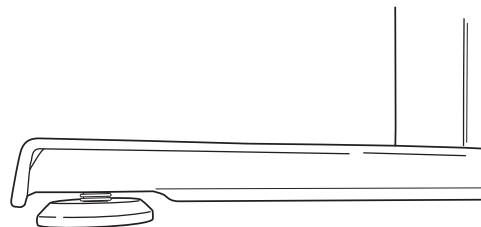
*Q: The table isn't level, how do I fix this?*

A: If the table feels unbalanced adjust the (4) levelling pads located on the bottom of the feet. Turn clockwise to lower and counter clockwise to raise.

### STEP 3

#### Level Feet

- If table feels unbalanced adjust the (4) leveling pads located on bottom of feet
- Turn clockwise to lower and counterclockwise to raise



*Q: What's the maximum and minimum height of the Levado?*

A: The three stage legs provide height adjustment from 24.2" to 48.5".