

# esi

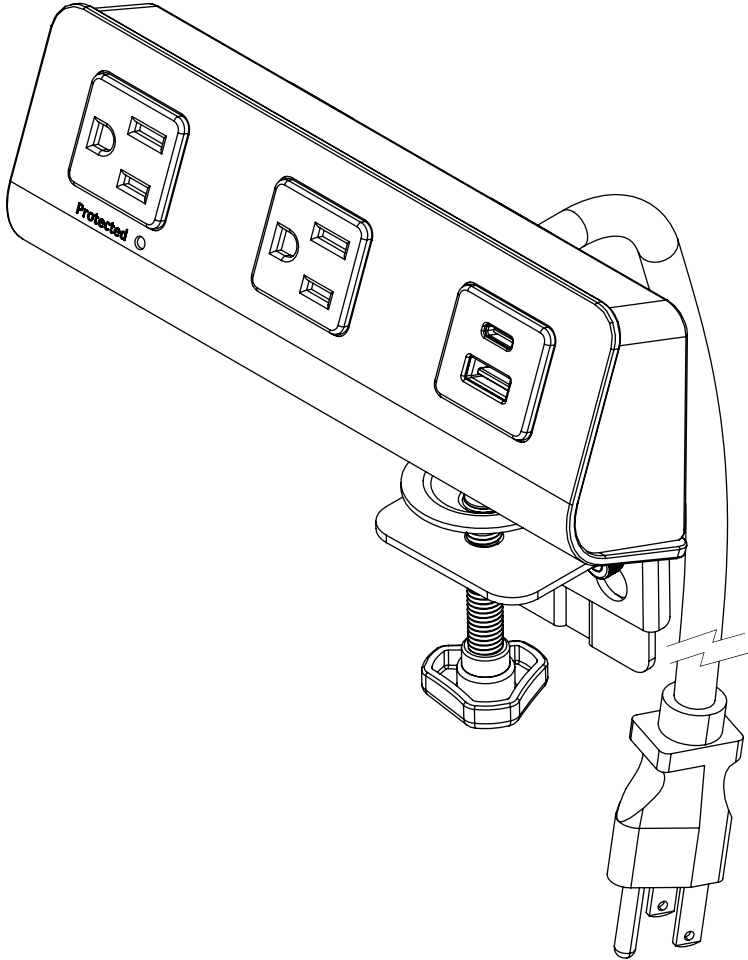
Assembly instructions

# FlexCharge™ 4C

Personal desktop power

Model # FCH4C-WHT

Model # FCH4C-BLK



**Fellowes**  
Brands.

FAMILY BUSINESS  
SINCE 1917



### Safety instructions/warnings

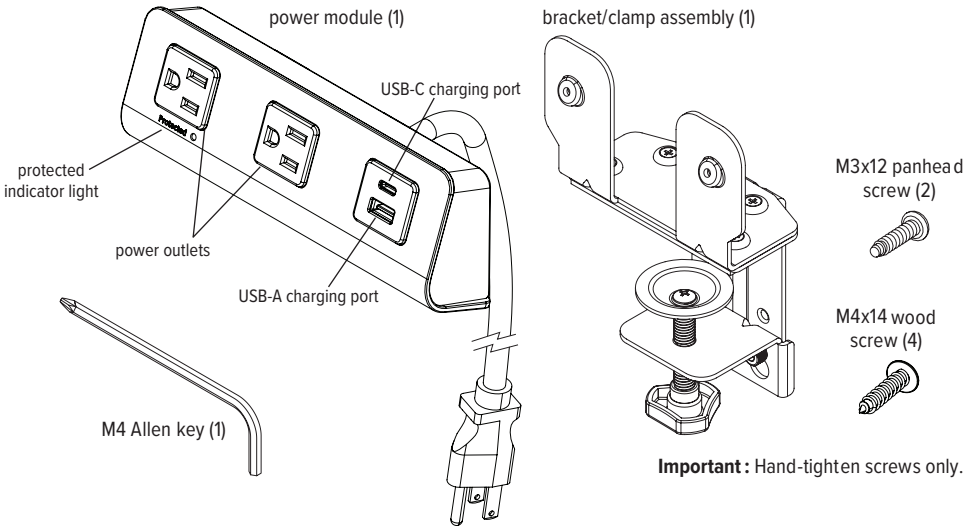
Always read the safety instructions carefully.

- Do not install near heat sources such as radiators, heat registers, stoves or other equipment (including amplifiers) that produce heat.
- Unplug the unit during lightning storms or when unused for extended periods of time.
- To reduce the risk of fire or electric shock, do not expose this unit to rain or moisture, including any drips or splashes.
- Objects filled with liquids such as vases, should never be placed on or near the unit.
- Do not open the unit due to risk of electric shock hazard.
- The outlet used to power the unit should be easily accessible and located near the equipment.
- The unit is for indoor use only.
- Please refer to the marking label on the unit for input and output ratings. Do not overload the power supply.
- **DO NOT USE** this unit in life support applications where failure of the unit can reasonably be expected to cause the failure of the life support equipment or to significantly affect its safety or effectiveness.
- **DO NOT USE** this unit in the presence of a flammable anesthetic mixture with air, oxygen or nitrous oxide.
- Failure to adhere to these instructions effectively voids the warranty.

**Please review** these instructions before beginning the installation. Check that all parts and tools needed were provided with your order (see illustration on following page). Contact your supplier if any parts are missing. Do not discard the packaging until content that the product operates to your satisfaction.



**Parts provided**



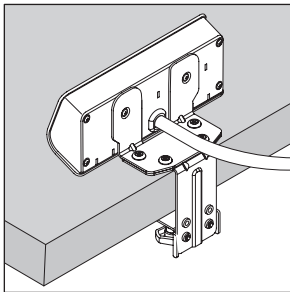
**Additional tools required**

- Phillips screwdriver
- Power drill with 1/8" drill bit (under-desk mounts only)

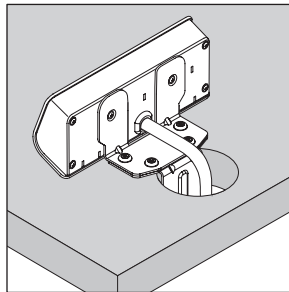
**There are three ways** to mount the FlexCharge4C power module:

- Edge mount (page #4)
- Grommet mount (page #6)
- Under-desk mount (page #8)

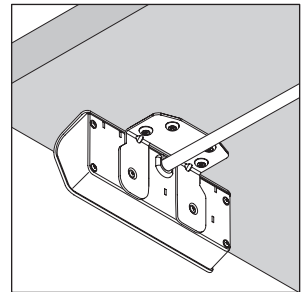
Choose the best mounting method based on user preference and the mounting circumstances.



Edge mount



Grommet mount

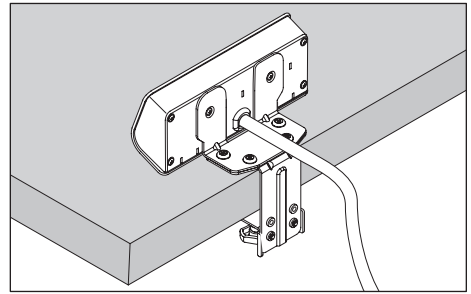


Under-desk mount



## Edge mount

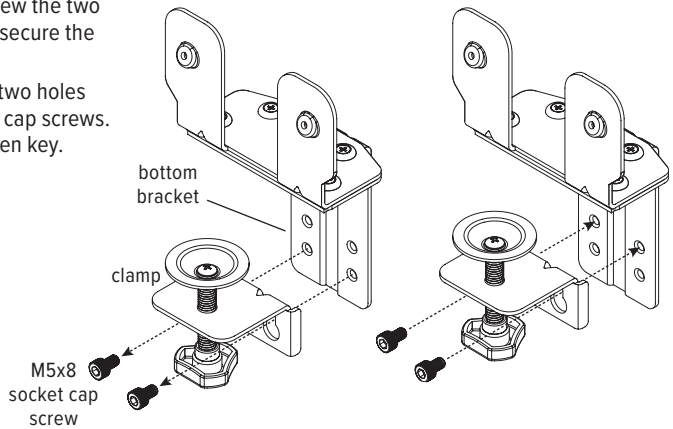
With edge mounts, the product is clamped to the edge of the worksurface.



### Step #1: if necessary, raise clamp on bottom bracket

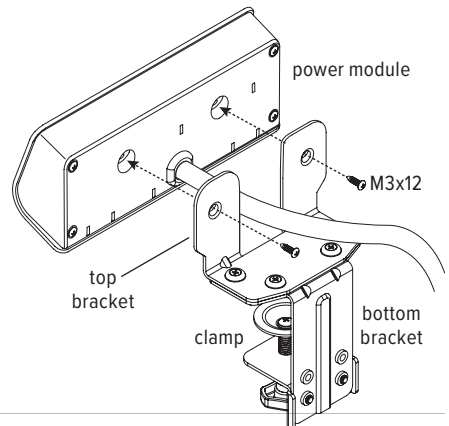
Skip this step if worksurface thickness is 0.9" or more.

- The clamp is attached to the lower two holes on bottom bracket. If worksurface thickness is less than 0.9", clamp attachment must be moved to the upper two holes.
- Use the M4 Allen key to unscrew the two M5x8 socket cap screws that secure the clamp.
- Raise the clamp to the upper two holes and attach it using the socket cap screws. Tighten securely using the Allen key.



### Step #2: attach bracket/clamp assembly to power module

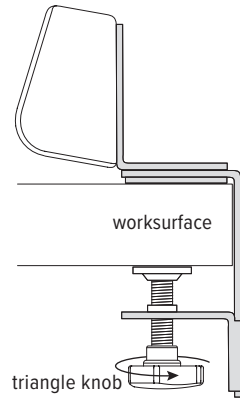
- Route the power cord through the opening in the top bracket.
- Attach the top bracket to the rear of the power module using the two M3x12 panhead screws. Hand-tighten securely.





**Step #3: clamp FlexCharge4C assembly to worksurface**

- Position the assembly in the desired location and clamp it securely to the worksurface by tightening the triangle knob.
- Plug the power cord into an AC outlet.

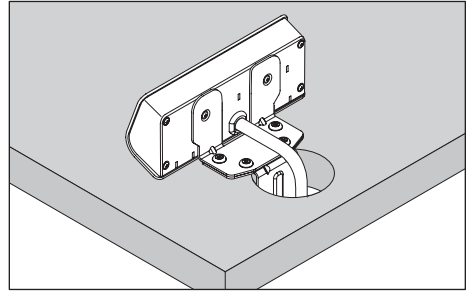


**You are now ready** to use the two AC power outlets, one USB-A, and one USB-C charging ports on the FlexCharge4C.



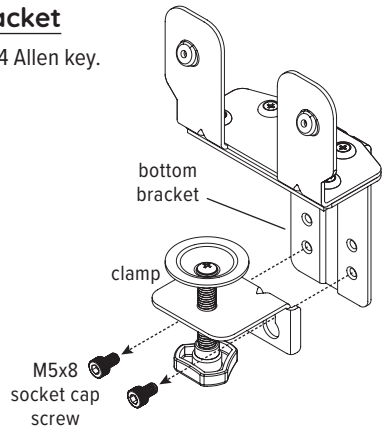
### Grommet mount

The grommet mount method is similar to the edge mount method, except here the assembly is clamped to the edge of a grommet hole rather than the edge of the worksurface. Minimum diameter of the grommet hole is 2.3".



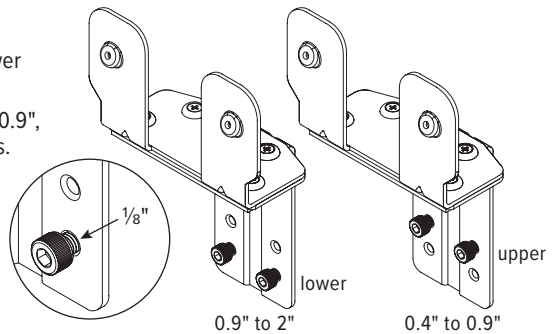
### Step #1: remove clamp from bottom bracket

- Unscrew the two M5x8 socket cap screws using the M4 Allen key.
  - Remove the clamp from the bottom bracket.



### Step #2: attach M5x8 screws to bottom bracket

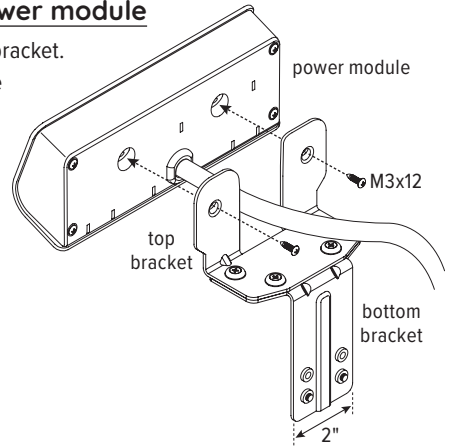
- Install the two M5x8 screws back onto the bottom bracket, leaving about 1/8" exposed between the screw heads and the bracket.
  - With worksurface thicknesses between 0.9" and 2", attach the screws to the lower two holes.
  - With worksurface thicknesses less than 0.9", attach the screws to the upper two holes.





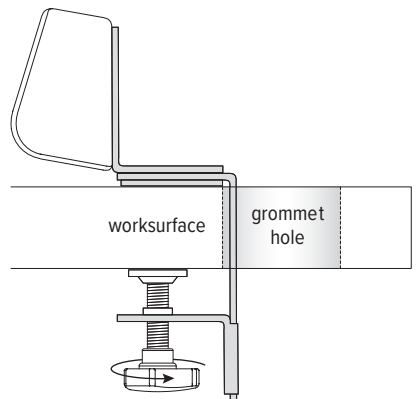
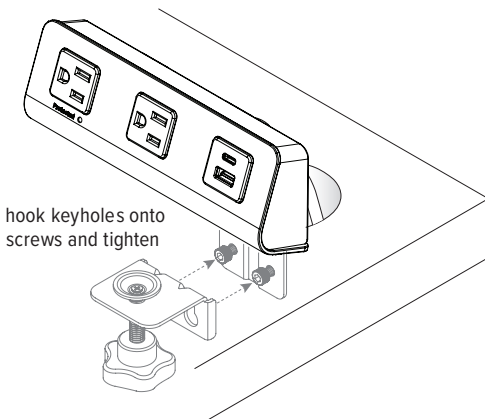
### Step #3: attach bracket assembly to power module

- Route the power cord through the opening in the top bracket.
- Attach the top bracket to the rear of the power module using the two M3x12 panhead screws. Hand-tighten securely.



### Step #4: clamp power module assembly to worksurface

- Insert the bottom bracket through the grommet hole.
- Attach the clamp to the bottom bracket.
  - Fit the keyhole openings in the clamp over the M5x8 screw heads. Tighten the screws securely over the narrow portion of the keyholes using the M4 Allen key.
- Clamp the assembly securely to the worksurface by tightening the triangle knob.
- Plug the power cord into an AC outlet.

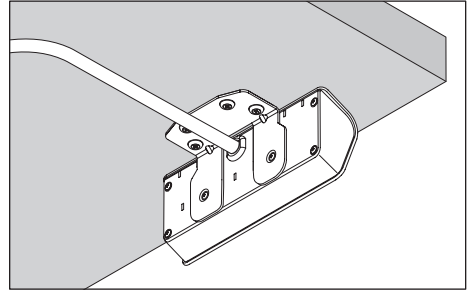


**You are now ready** to use the two AC power outlets, one USB-A, and one USB-C charging ports on the FlexCharge4C.



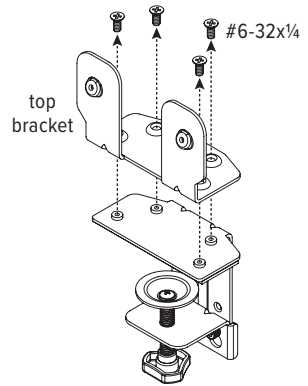
### Under-desk mount

With this method, the top bracket is turned upside-down so that it can be mounted to the underside of the worksurface with M4x14 wood screws. As with the other methods, the power module is mounted to the bracket using two M3x12 panhead screws.



### Step #1: remove top bracket

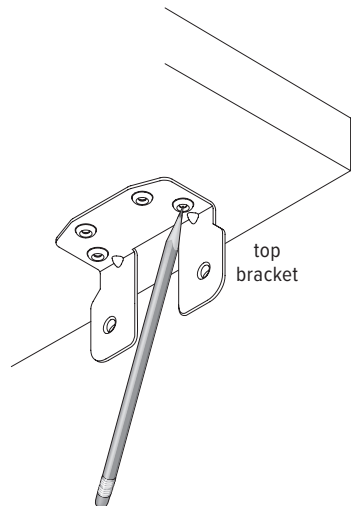
- By removing the four #6-32x¼ screws.
- Remove the top bracket from the bracket/clamp assembly.



### Step #2: mark and drill pilot holes

- Use the top bracket as a template to mark where to drill four pilot holes.
  - Position the bracket at the desired location, typically at the front of the worksurface on the left or right side.
  - Mark hole locations.
- Drill ½" deep pilot holes using a ⅛" drill bit.

**Caution:** Be careful not to not drill through the top of the worksurface.

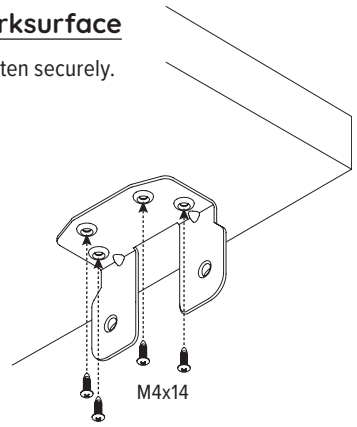






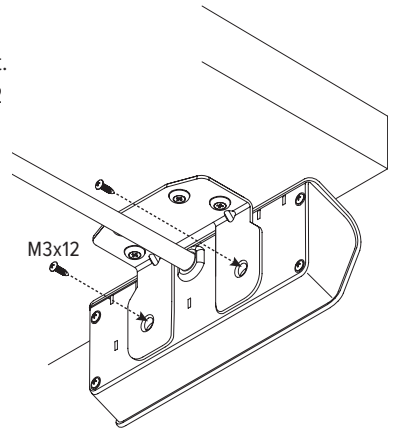
**Step #3: attach top bracket to underside of worksurface**

- Attach the bracket using the four M4x14 wood screws. Hand-tighten securely.



**Step #4: attach power module to bracket**

- Route the power cord through the opening in the top bracket.
- Attach the power module to the bracket using the two M3x12 panhead screws. Hand-tighten securely.

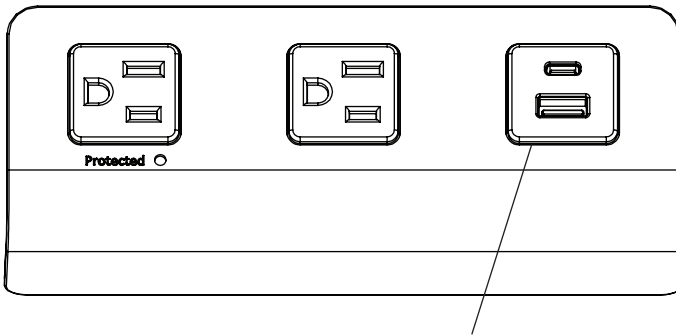


**You are now ready** to use the two AC power outlets, one USB-A, and one USB-C charging ports on the FlexCharge4C.



## Additional Features

- FlexCharge4C offers built-in surge protection with an indicator light. The light displays when surge protection is active on your FlexCharge4C.
  - If the light is not illuminated, please contact Customer Service.
- AC outlet orientation can be rotated to accommodate large plugs
- FlexCharge4C complies with UL 962A Standard for Furniture Power Distribution Units and meets respective spill test criteria.



27W output max. USB-A and USB-C (PD3.0) charging modules can charge multiple devices at the same time.





# FlexCharge™ 4C

Personal desktop power

Please contact Customer Service with any questions or comments at 800.833.3746 or visit our website at [esiergo.com](http://esiergo.com)

## LIMITED WARRANTY

ESI warrants this product to be free from defects in manufacturing for a period of five year from the date of original purchase. This warranty extends only to the original purchaser, and does not apply if the product has been damaged or fails to function properly as a result of misuse, abuse, modification, alteration, or improper cleaning or maintenance. This warranty does not apply to damage in shipment caused by carriers, damage caused during installation, normal wear and tear, or excessive use (meaning consistent use in excess of an eight hour shift). ANY IMPLIED WARRANTIES OF MERCHANTABILITY OR FITNESS FOR A PARTICULAR PURPOSE ARE LIMITED IN DURATION TO ONE YEAR FROM THE DATE OF ORIGINAL RETAIL PURCHASE. ESI's sole obligation under this warranty or any implied warranty, and the purchaser's sole remedy, is limited to the repair or replacement, at ESI's option, of the product or any defective part. Costs (such as installation, labor fees or express shipping) incurred due to replacement of products are not covered under warranty. IN NO EVENT SHALL FELLOWES, ITS AFFILIATES, SUBSIDIARIES, RELATED ENTITIES OR THEIR RESPECTIVE OFFICERS, DIRECTORS, OR EMPLOYEES, BE LIABLE FOR INCIDENTAL, CONSEQUENTIAL, PUNITIVE, EXEMPLARY, OR SPECIAL DAMAGES.

To make a warranty claim, contact ESI at 800-833-3746 or [customerservice@esiergo.com](mailto:customerservice@esiergo.com). You must provide proof of purchase, such as the original purchase order number.

The duration, terms and conditions of this warranty are valid worldwide, except where different limitations, restrictions or conditions may be required by local law.