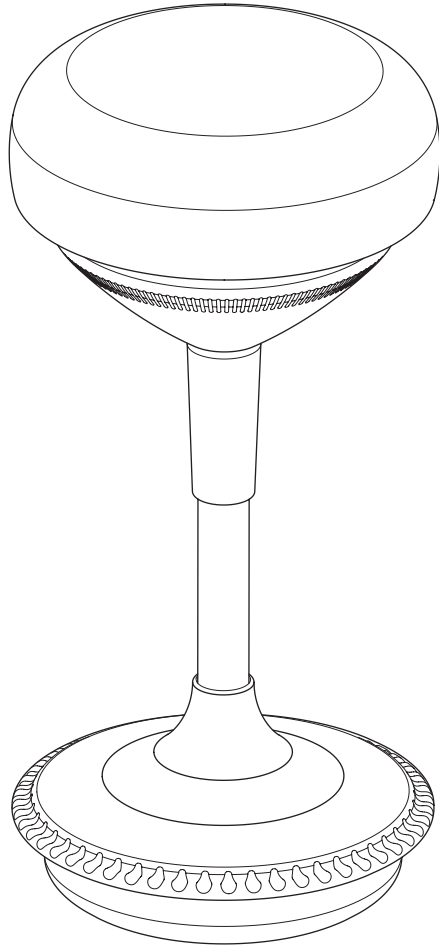


esi

assembly & operation instructions



birdi™

perching stool

BIRDI-BLK

BIRDI-GRY

BIRDI-TPE

BIRDI-NVY

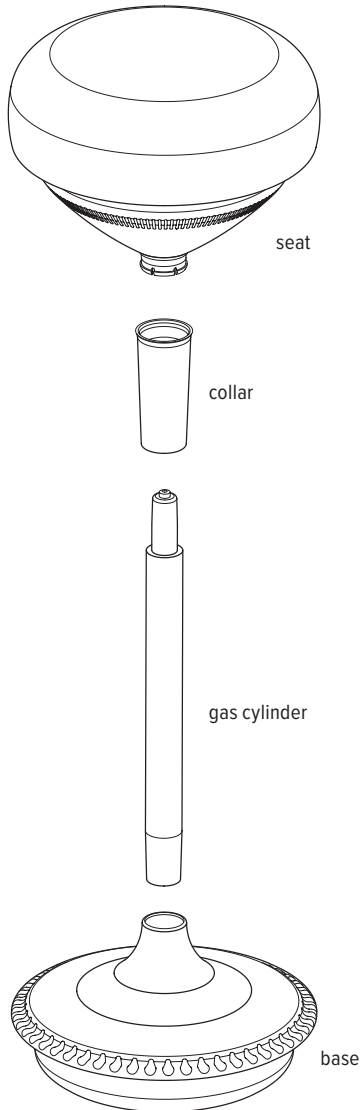
evolution of motion

BIRDI PS Rev A 12/2017



Please review these instructions before beginning the installation. Check that the four components shown below were provided with your order. No other parts are required. Do not discard the packaging until content that the product operates to your satisfaction.

parts provided



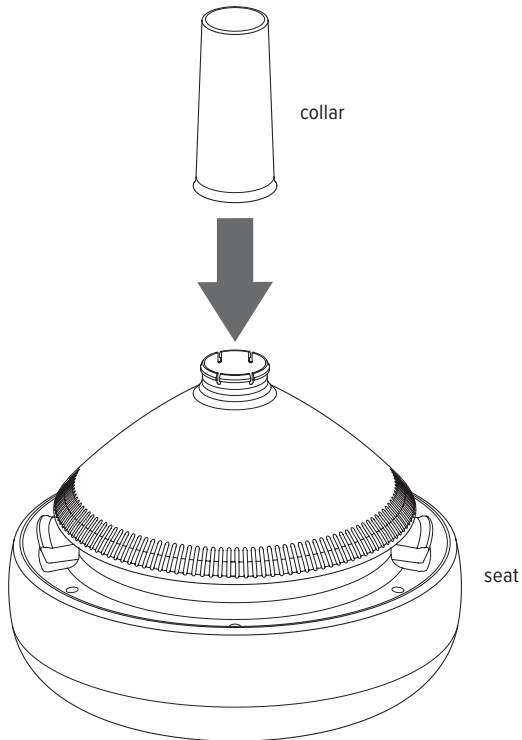


warning

- Only sit on the stool with both feet firmly on the floor.
- Do **not** lean back; do not tip the stool past vertical in a backward direction.
- Do **not** sit on the stool with only one foot or no feet on the floor.

step 1: attach collar to seat

- With the seat resting on its cushion, push the wide end of the collar onto the stem. You will hear a “click” when the collar snaps into place.

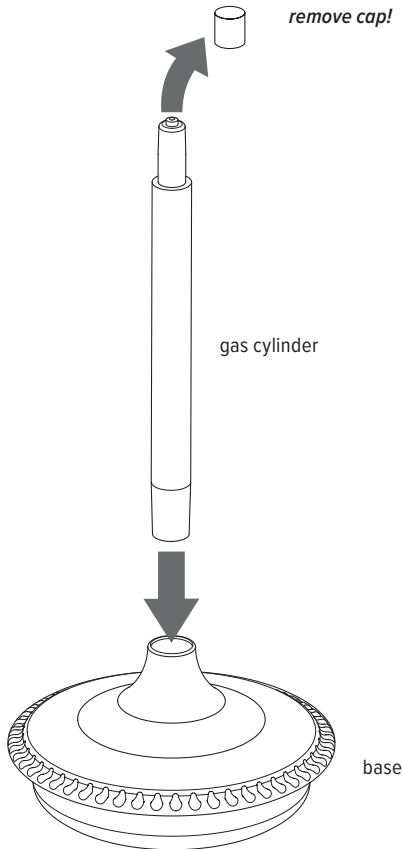




step 2: attach gas cylinder to base

- Push the large end of the cylinder into the base until it fits securely. You may need to rotate the cylinder slightly to align it.
- Remove the plastic cap from the top of the cylinder.

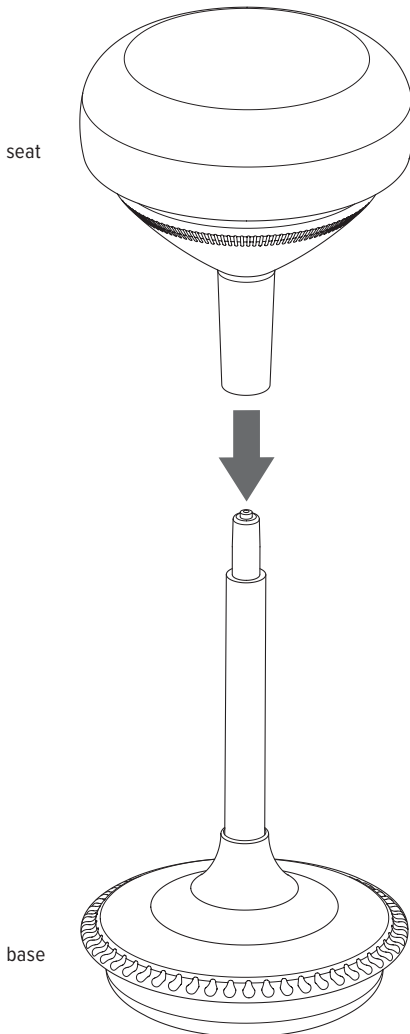
Important: The plastic cap must be removed from the top of the cylinder for proper assembly and operation.





step 3: attach seat to gas cylinder

- Slide the collar and seat onto the top of the gas cylinder. Once aligned correctly, press down firmly on the seat.



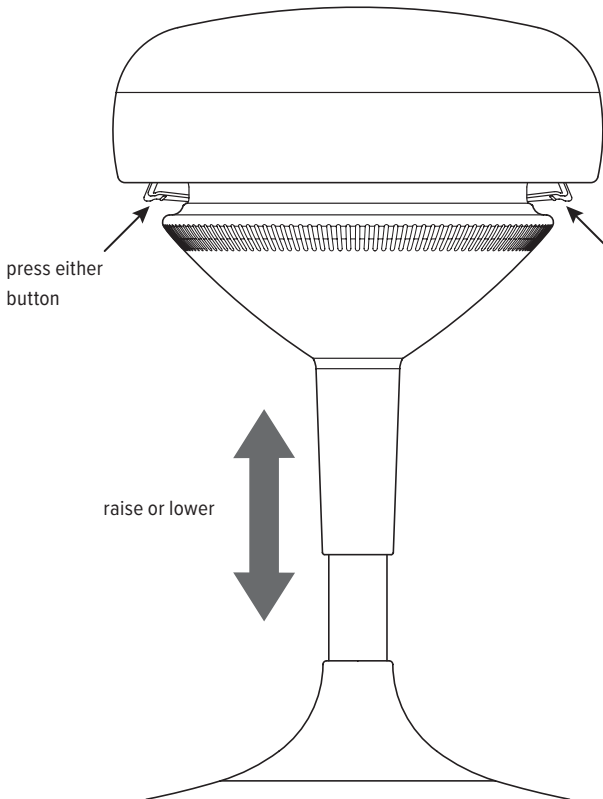


step 4: sit on stool

- Sit on the stool and bounce slightly to be sure all components are solidly connected and seated securely.

height adjustment

- To adjust the height of the stool, press either one of the two buttons located under the seat.
 - Place no weight on the seat to raise it.
 - Press down on the stool or sit on it to lower it.



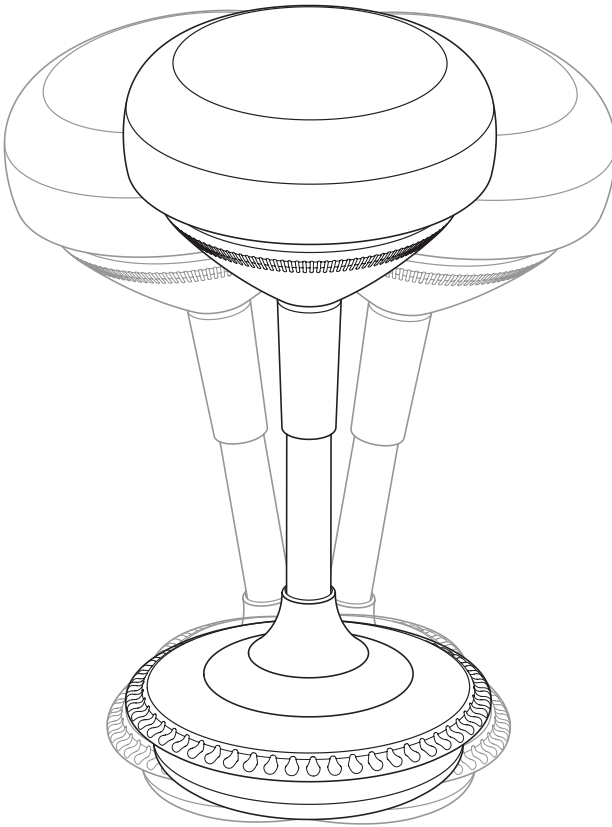
press button to raise

press button and
press down on seat to lower



general use

- Only sit on the stool with both feet firmly on the floor.
- Rock, tip, or swivel the tool as desired, keeping in mind the following precautions:
 - Do **not** lean back; do not tip the stool past vertical in a backward direction.
 - Do **not** sit on the stool with only one foot or no feet on the floor.



rock, tip or swivel

observe precaution

esi

birdi™

perching stool

Please contact Customer Service with any questions or comments at 800.833.3746 or visit our website at esiergo.com

LIMITED WARRANTY

ESI warrants this product to be free from defects in manufacturing for a period of five years on the foam and cylinder, three years on fabric, and 15 years for all other components, in each case, from the date of original purchase. This warranty extends only to the original purchaser, and does not apply if the product has been damaged or fails to function properly as a result of misuse, abuse, modification, alteration, or improper cleaning or maintenance. This warranty does not apply to damage in shipment caused by carriers, damage caused during installation, normal wear and tear, or excessive use (meaning consistent use in excess of an eight hour shift). ANY IMPLIED WARRANTIES OF MERCHANTABILITY OR FITNESS FOR A PARTICULAR PURPOSE ARE LIMITED IN DURATION TO ONE YEAR FROM THE DATE OF ORIGINAL RETAIL PURCHASE. ESI's sole obligation under this warranty or any implied warranty, and the purchaser's sole remedy, is limited to the repair or replacement, at ESI's option, of the product or any defective part. Costs (such as installation, labor fees or express shipping) incurred due to replacement of products are not covered under warranty. IN NO EVENT SHALL FELLOWES, ITS AFFILIATES, SUBSIDIARIES, RELATED ENTITIES OR THEIR RESPECTIVE OFFICERS, DIRECTORS, OR EMPLOYEES, BE LIABLE FOR INCIDENTAL, CONSEQUENTIAL, PUNITIVE, EXEMPLARY, OR SPECIAL DAMAGES.

To make a warranty claim, contact ESI at 800-833-3746 or customerservice@esiergo.com. You must provide proof of purchase, such as the original purchase order number.

The duration, terms and conditions of this warranty are valid worldwide, except where different limitations, restrictions or conditions may be required by local law.