

TESmart TESmart

User **50m** HDMI KVM
Extender
Manual 50m IR 1080P

HKE0511A10

English

TESmert TESmart



English



Preface

It's our great honor that you have chosen the HDMI KVM Extender produced by our company, Tesla Elec Technology Co.,Ltd. In this user manual, you will learn how to operate and use this product. Please read this user manual comprehensively before use. If you have any questions, comments or suggestions, you can contact us via the following email:

support@tesmart.com.

Copyright Notice

The user manual, compiled by Tesla Elec Technology, shall not be duplicated or translated by any person or organizations without written permission. This user manual shall not be used for commodity transaction in any form or by any means (electronically, mechanically, photocopying or recording, etc.) or be used for any business practices or profitable activities. The ownership of the trade names and brand names adopted in this user manual belongs to their companies.

Address of Manufacture

Tesla Elec Technology Co.,Ltd
2F, Building C, Xingzhisheng Industrial Park, No.12,
Xiawei Industrial Zone, Zhangkengjing Road,
Guanlan Street,
Longhua District, Shenzhen City,
Guangdong Province, China

Contents

1. Safety Tips and Warnings.....	01
2. Warranty Information.....	02
3. Preface.....	03
4. Features.....	04
5. Packing List.....	05
6. Panel Description.....	06
6.1 Transmitter Panel Description	
6.2 Receiver Panel Description	
7. Connection Description.....	08
7.1 Connection Diagram	
7.2 Connection Steps	
8. IR Pass Through Description.....	13

1. Safety Tips and Warnings

Tips: Read the safety tips and warnings for HDMI KVM Extender comprehensively before use. Use this produce in accordance with its instructions, safety tips and warnings to prevent unnecessary damage to the product and potential dangers to users.

- ⚠ Keep the product away from water.
- ⚠ Clean the product with dry cloth.
- ⚠ Use the product in accordance with its instructions and do not block its vents.
- ⚠ Keep the product away from ignition sources, such as heat sinks, heat accumulators, stovepipes and other heat production settings (including audio amplifiers).
- ⚠ Do not touch the product and the power cord with wet hands so as to lower the risk of electric shock and the damage to the product. Do not let the product get wet or become damp.
- ⚠ Unplug the power supply of this product in thunderstorm days or when it has been not used for a long time.
- ⚠ Do not expose this product and its battery to open fire or overheating environment. Dispose the waste battery in accordance with instructions.
- ⚠ Users shall not remove and repair the product without authorization.

2. Warranty Information

We warrant this product as free of defects in material and workmanship for a period of one (1) year from the date of shipment. If during the period of warranty this product proves defective under normal use, we will repair or replace this product, provided that this product has not been subjected to mechanical, electrical, or other abuse or modifications. If it fails under conditions other than those covered will be repaired at the current price of parts and labor in effect at the time of repair. Such repairs are warranted for six (6) months from the day of reshipment to the buyer.

3. Preface

Dear Users:

HDMI KVM Extender can transmit HD video signal over long distances. With IR pass through, the playback device can be remotely controlled at the receiving end. Uses single UTP/FTP cable CAT5e/6 to substitute HDMI cable to achieve longer transmission distance. The transmission distance of our HDMI KVM Extender can extend up to 50 meters for 1920x1080@60Hz. Support EDID pass through, has the best compatibility with different display devices.

Tips: If you need to control more computers or conduct more complex and professional switching, you can also choose other products of our company. For more details, you can visit our official website: www.tesmart.com.

4. Features

- Use single UTP/FTP cable (CAT5e/6, should follow EIA/TIA 568B standard) to substitute HDMI cable to extend longer transmission distance
- Support 1920x1080@60Hz resolution transmission via UTP/FTP cable up to 50 meters
- With IR pass through, the playback device can be remotely controlled at the receiving end via UTP/FTP cable
- Support TMDS equalization and enhancement
- By transmitting keyboard and mouse data via UTP/FTP cable, it is easy to control PC remotely

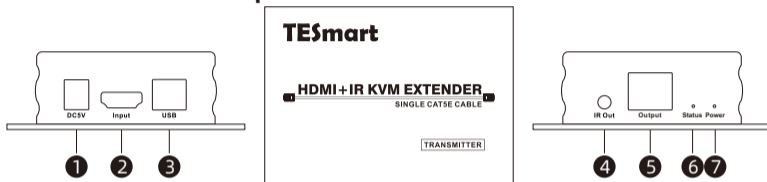
5. Packing List

- 1 * Transmitter
- 1 * Receiver
- 1 * IR Transmitter Cable
- 1 * IR Receiver Cable
- 2 * DC 5V Power Adapter
- 1 * User Manual

Tips: After received the product, you should check the packing list carefully to make sure that no components have been lost and no damage to the product has been caused during transportation. If you have any problems, you can contact with us.

6. Panel Description

6.1 Transmitter Panel Description



ID	Name	Function	ID	Name	Function
1	DC 5V	DC 5V power supply.	5	RJ45 port	Connect to UTP/FTP cable.
2	HDMI input port	Connect to HDMI source device.	6	Connection status indicator	LED will be lit (blue) if the input device is well connected with the transmitter.
3	USB Connection port	Using USB Type-A to Type-B cable to connect to the input device for USB data signal input.	7	Power status indicator	LED will be lit (red) if power is switched on.
4	IR transmitter port	Using IR transmitter cable to connect to send IR signal to input device for remote control.			

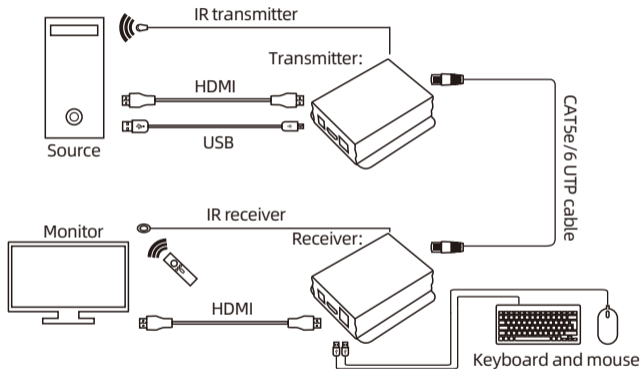
6.2 Receiver Panel Description



ID	Name	Function	ID	Name	Function
8	IR receiver port	Using IR receiver cable to connect to receive IR signal.	12	DC 5V	DC 5V power supply.
9	RJ45 port	Connect to UTP/FTP cable.	13	HDMI output port	Connection HDMI display for video output.
10	Connection status indicator	LED will be lit (blue) if the signal is sent to receiver successfully.	14	Keyboard and mouse input	For USB keyboard and mouse input, including wireless keyboard and mouse.
11	Power status indicator	LED will be lit (red) if power is switched on.			

7. Connection Description

7.1 Connection Diagram



Tips: 1. 'Source' here represents general input devices like DVD player, STB, PC, etc.
2. Please refer to Chapter 8 for IR remote.

7.2 Connection Steps

1. Connect a PC to the transmitter with one HDMI cable and one USB Type-A to Type-B cable. Connect the type-B end of the USB cable to transmitter's USB connection port, and the type-A end to PC (as shown below).



2. Connect IR transmitter cable to the IR transmitter port.



Tips: The transmitter should be placed as close as possible to the input device's infrared receiver. Please refer to Chapter 8 in detail.

3. Connect one end of UTP/FTP cable to transmitter's RJ45 port.



4. Connect the power cable to transmitter's DC 5V port and plug it to a power socket. The transmitter connection has been completed.



5. Connect receiver's HDMI output port to a display with one HDMI cable.



6. Connect external mouse and keyboard to receiver's keyboard and mouse input port.



7. Connect IR receiver cable to the IR receiver port.



8. Connect the other end of the UTP/FTP cable to receiver's RJ45 port.



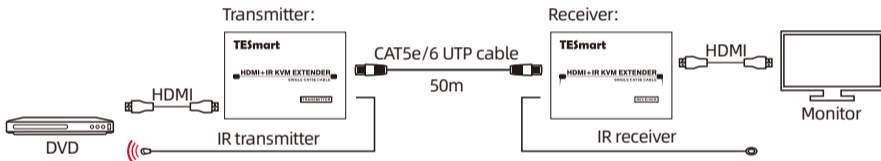
9. Connect the power cable to receiver's DC 5V port and plug it to a power socket.



10. By now, all the connection has been completed. The Extender will begin to work if the PC is turned on.

8. IR Pass Through Description

Our 50m HDMI KVM Extender support use the included IR cables to control a HDMI video input device like DVD player, Set-top box and streaming box from the remote display end. You can get the same effect as if you were using the remote control directly from the input.



Tips: The IR remote control in this picture refers to the remote control for your input device. Our product does not provide IR remote control. Please use the corresponding remote control to control the input device.

TESmert TESmart

To Enjoy Smart

HKE0511A10

Tesla Elec Technology Co.,Ltd

CE FC   HDCP 

WEEE-Reg.-Nr. DE 66784279