

SPECIFICATIONS

Capacity	@ 80°F/60% RH	80 ppd
	@ 73°F/60% RH	65 ppd
Energy Factor	@ 80°F/60% RH	2.8 L/KW-h
	@ 73°F/60% RH	2.35 L/KW-h
Airflow @ varying E.S.P. (external static pressure - dry coil)	0.0" w.c	185 CFM
	0.2" w.c	135 CFM
	0.4" w.c	85 CFM
Voltage, phase, frequency	120VAC, 1 phase, 60 Hz	
Current draw⁽¹⁾	5.1 Amps	
Noise	45 dBA ducted	
Dimensions: (cabinet only)⁽²⁾	Width	14"
	Height	15"
	Length	26"
Unit Weight	63 lbs.	
Shipping Weight	81 lbs.	
Inlet air operating conditions during		
-Dehumidification:	50°F-104°F, 40°F dew point min.	
-Ventilation:	40°F-140°F, 0%-99% RH (non-condensing)	

⁽¹⁾Rated capacity, energy factor and current draw measured at 80°F/60% RH inlet air at 0.0 ESP.

⁽²⁾Height does not include adjustable feet. The width excludes the filter doors and length excludes the duct collars.

FEATURES

Control	Built-in digital control with top or front mounting options
Crawl space alert	40' Cable with LED light
Cabinet insulation	½" EPS
Air discharge orientation	Top or end
Inlet/Outlet duct collars	10" dia.
Backdraft damper at outlet	Not included
Filter	Washable MERV 8 (Part Number 5881)
Refrigerant	R410A
Coil type	Corrosion-resistant aluminum
8' Power cord	Plug type
Hardwire option	Yes, field-configurable
Discharge air temperature rise	10°F-30°F
Drain connection⁽³⁾	¾" PVC adapters
Included drain tubing	10' length
Warranty	5 Years

⁽³⁾Adapters for threaded connection or plastic hose included.



PRINCIPLE OF OPERATION

The Aprilaire E080CS Crawl Space Dehumidifier is designed to dehumidify the air coming into the unit by passing the incoming air over an evaporator coil to drop the air temperature below the dew point of the air. Moisture is removed from the air and drained out of the unit. The air is then reheated in the condenser coil and exits the unit.

Dehumidification occurs until the set point is reached, then shuts off until periodic sampling determines a need for operation.

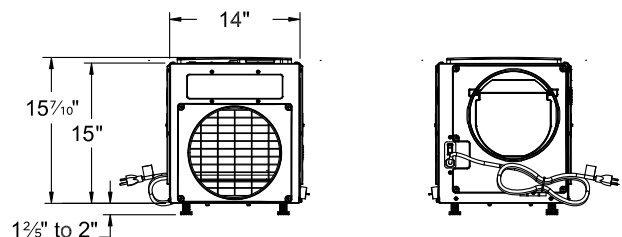
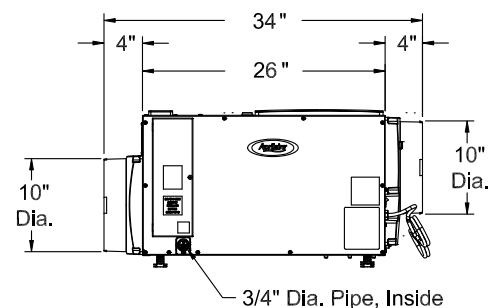
APPLICATION

The Model E80CS controls to a "Dew Point" set point which is ideal for unconditioned spaces. It removes up to 80 pints per day with a low current draw—keeping crawl spaces dry without unwanted increases to the utility bill.

This unit also includes a crawl space alert which is an LED installed in the living space that ensures homeowners their Model E80CS is functioning properly. The light turns on to notify homeowners that the unit is in need of service.

CIRCULATION

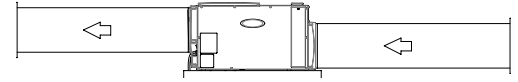
The Model E080CS can be programmed to circulate the air within a crawl space. This evens out relative humidity levels and temperature in the space, eliminating variations in the environment.



INSTALL APPLICATION

Inlet and Outlet Ducted

- Dehumidifier is ducted using 10" duct round flexible or hard duct.
- Air is pulled into the dehumidifier directly from the crawl space, dehumidified and returned back to the crawl space.
- Adding ductwork can help circulate the air around the crawl space.



Included Accessory



Model 5427 Crawl Space Alert

- 40' cable with LED
- LED illuminates when the dehumidification set point can't be reached or when service is required
- Provides customer peace of mind knowing the dehumidifier is functioning properly

Optional Control



Model 76 Dehumidifier Control

- On, Off buttons
- Wall-mounted living space control
- As a "External Control" it displays RH and controls to an RH value for basements
- As a "Remote Control" it displays RH and controls to dew point for crawl spaces

Optional Accessories



Model 4856 Condensate Pump

- 22 ft. lift
- Low profile
- 120 V



Model 5822 Hanging Kit

- Weight: 3 lbs.
- Supports up to 200 lbs.

MODEL 76 SPECIFICATIONS

Electrical	External	Remote
Input voltage and current	Voltage: 24VAC +/-20% Current: 25mA (nominal), 50mA (max.) at 24VAC	Voltage: 35VDC (supplied by dehumidifier control board)
Output	Dry contact, normally open	Communication (RS485)
Control	External	Remote
Control range	40% 80% RH	1 (less dry)-7 (more dry) 65°F-40°F dew point
Accuracy	+/-5% RH	See dehumidifier specifications
Differential	3% RH	
Low limit	40°F dew point	50°F dry bulb, 40°F dew point min.
High limit	99°F dry bulb	105°F dry bulb