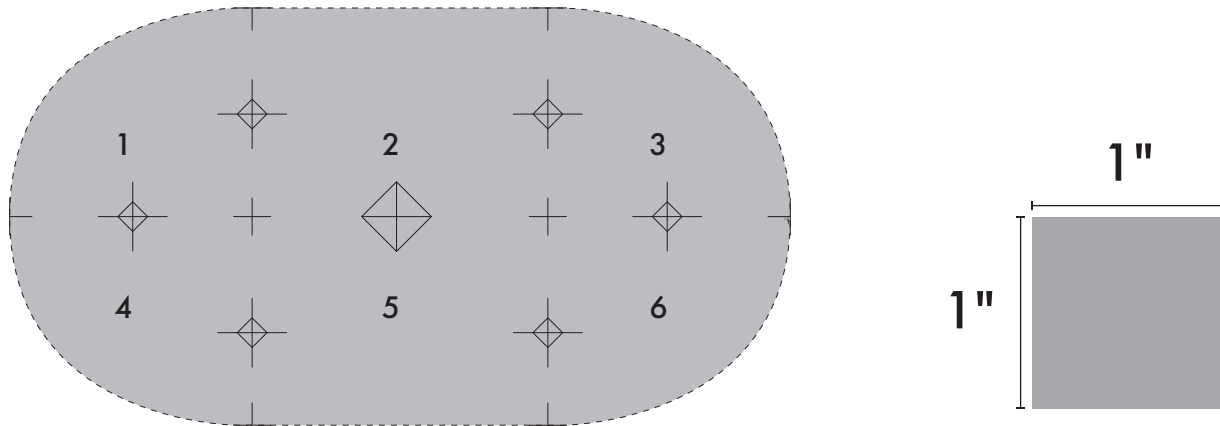


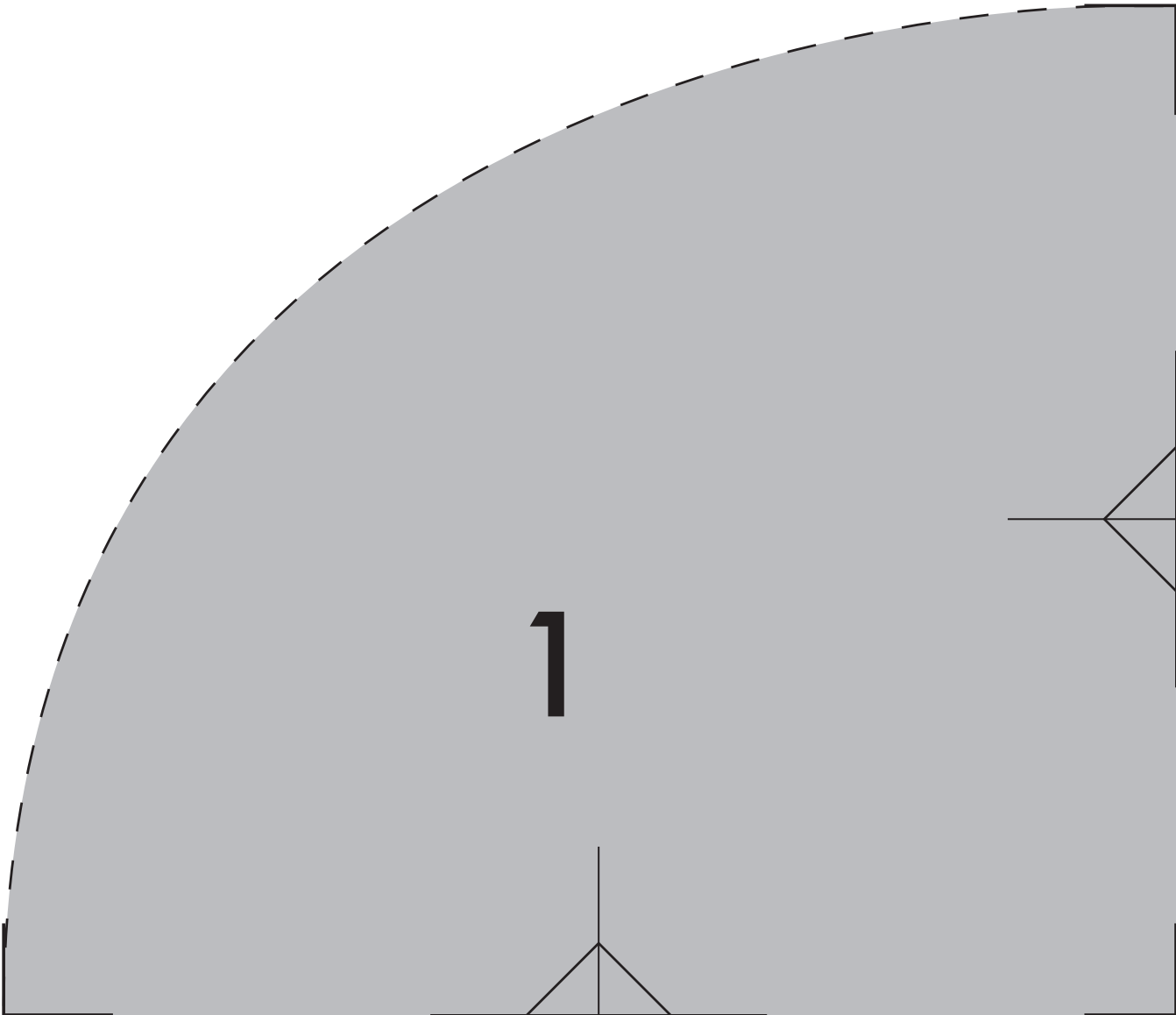
VENICE CUT-OUT SHEET

PRINT OUT THIS PAGE FIRST!

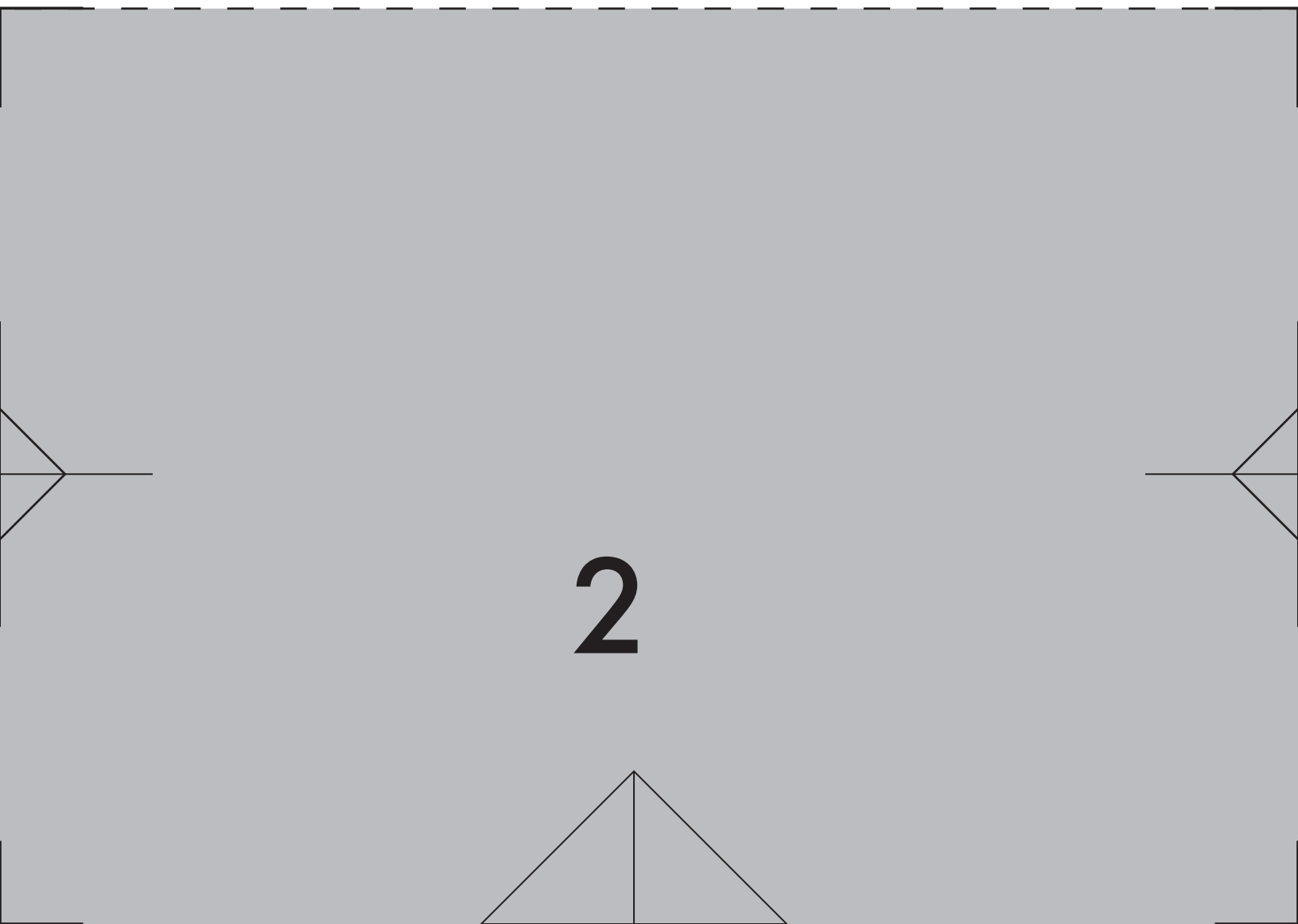
1. Print this page out first and using a ruler or measuring tape measure the below square making sure it is 1"x1".
2. If the square is not 1"x1" make sure your printer settings are scaled to fit 100% and repeat step 1.
3. Print out the rest of the pages and match all points together. There is no need to cut off paper edges.
4. Tape the template together and cut out only the grey area leaving you with the white border.
5. Tape the white border to the surface you intend to mount the sink to and draw the shape onto the surface.
6. Carefully cut out the template shape from your surface and clean off any dirt or dust.
7. Apply 100% silicone liberally to the edges of the cut out and the parts of the sink that touch the surface.
8. Insert your sink and wipe away any excess silicone residue.
9. Wait 24 hours to let silicone dry .



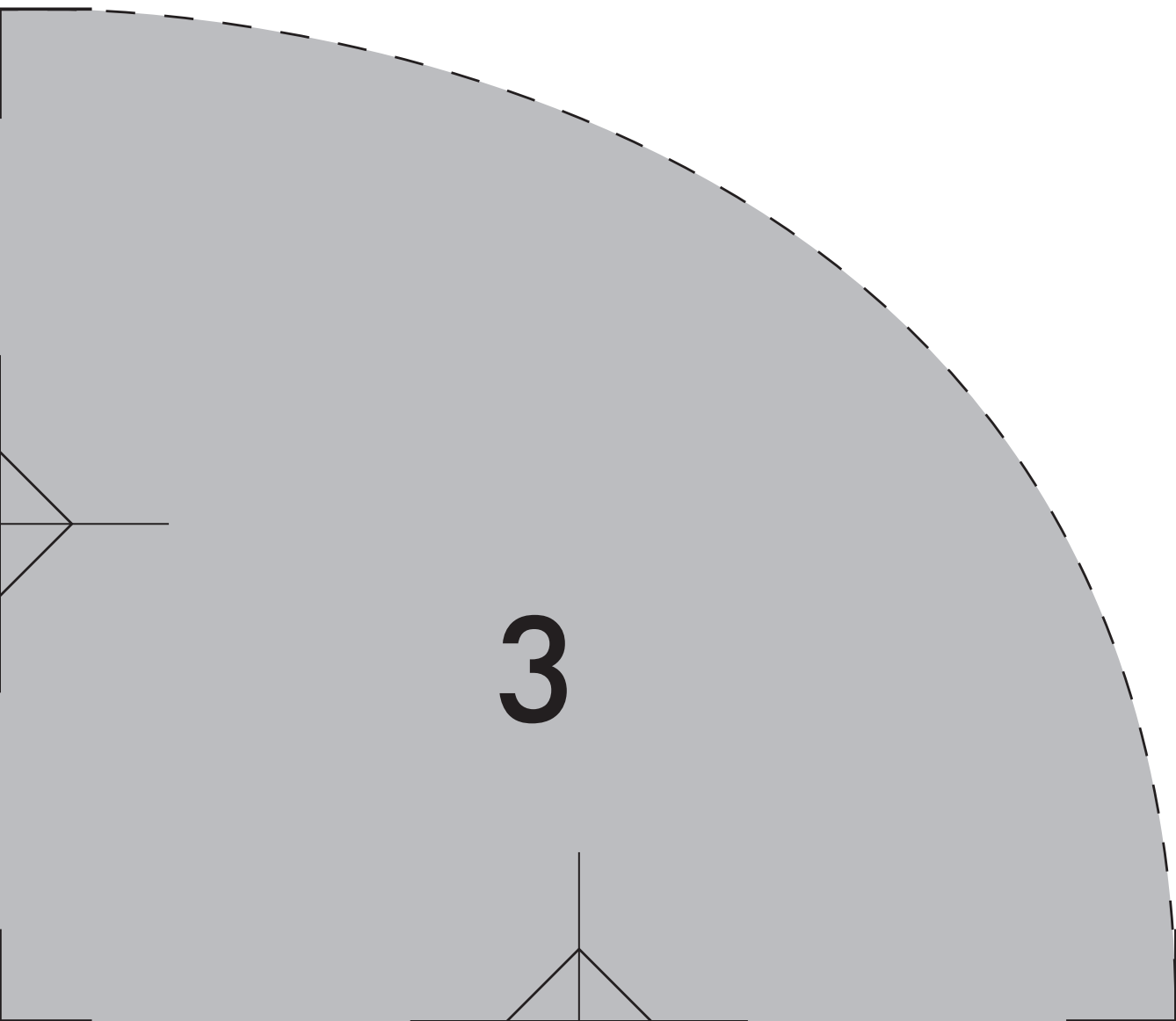
Disclaimer - We highly recommend you consult a professional before installing your Concretti Designs sink. If you are not a professional we do not recommend you to attempt to install your Concretti Designs sink without guidance or supervision. Handle with care. Do not over tighten the drain while installing , this may cause cracking and will not be covered by warranty.



1



2



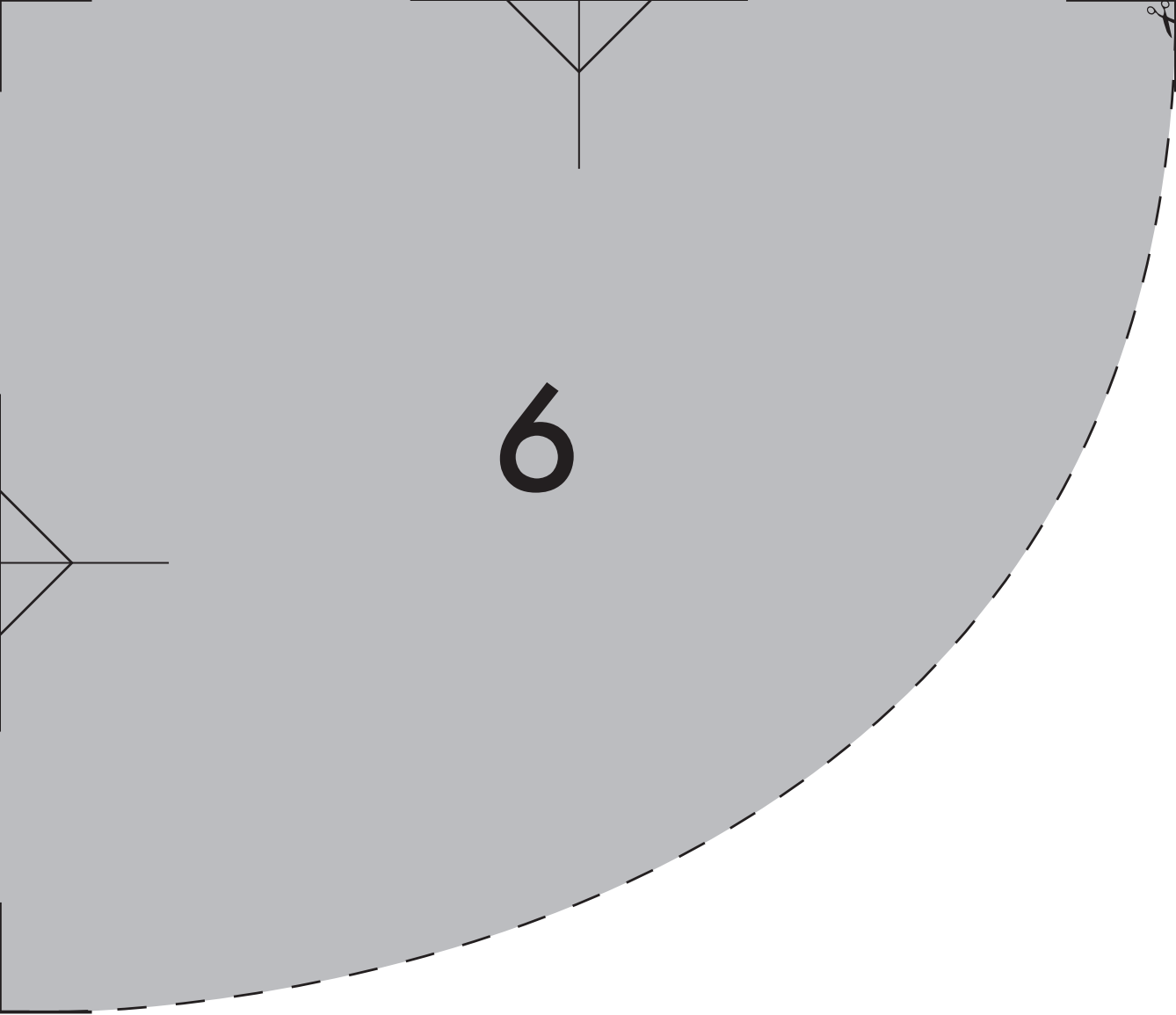
3



4



5



6