

REQUIRED TOOLS



PENCIL



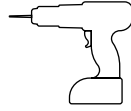
LEVEL



TAPE MEASURE



STUDFINDER



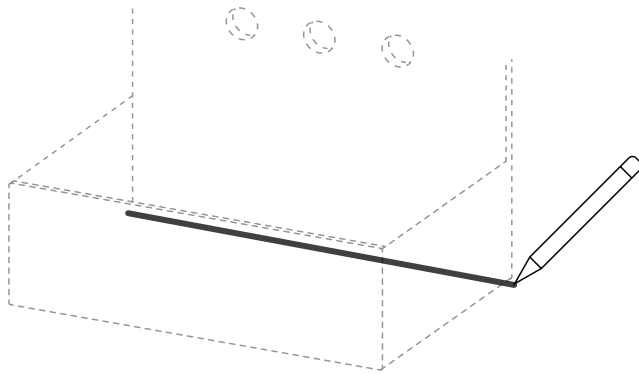
DRILL

WARNINGS

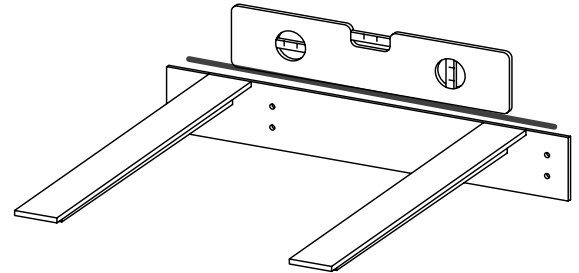
Ensure that the wall is able to support the full weight of the sink and bracket. If not, reinforce the wall **prior** to bracket installation.

This installation guide is intended for use by licensed plumbers and contractors only.

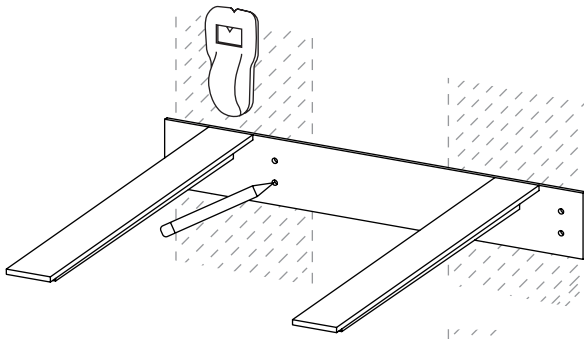
- 1 Determine where the sink should be placed on the wall based on plumbing. Mark on the wall where the bottom of the sink will be.



- 2 Align the top of the bracket with the line. Level the bracket.



- 3 Trace the bracket holes onto the wall. Use studfinder to ensure that the holes align with a stud.



- 4 Verify the placement of the bracket and affix the bracket with the correct bolts for your wall.

