

AIR SAVER WEDGE

Highest Thrust Of Any Blow-Off Nozzle!

1. COMPRESSED AIR SUPPLY

Air supplies are plagued with condensed water vapor in the air lines.

This condensation leads to rust and dirt in the air lines. Also some compressors will allow oil or oil vapor to enter the line. Small orifices in the AiRTX Air Saver products may become clogged with rust, dirt, and water droplets. A 5-micron filter will separate 99% of the foreign material from the air supply allowing virtually maintenance free operation.

The use of an oil filter will remove the oil droplets with an effecti filtration of 0.01 ppm for an even cleaner air supply.Keep in mind that the current line or air might contain dirt or oil and shouldbe blown out before installation. Also pipe thread sealant or tape must becarefully applied to avoid clogging product orifices.

2. AiRTX PRODUCT PERFORMANCE/COM PRESSED AIR SUPPLY LINE SIZE.

To obtain maximum performance from the AiRTX products, accurate measurements of air pressure (psi) and air volume (cfm) must be obtained. Line pressure of 70-90 psi can be present without sufficient volume (cfm) of air.

To ensure that both pressure and volume are present to efficiently operate the AiRTX products, a line size of 1/4" pipe or 1/2" hose should be used for applications up to 10 ft. from the main header. Use 3/8" pipe or 3/4" hose up to 20 ft. and 3/4" pipe and 1" hose up to 50 feet.

Normal quick couplers will limit the supply of compressed air @80 psi to 32 cfm while a Pipe Nipple connection will flow many times the amount of air at the same 80 psi above the limit of the quick connect of 32 cfm.

Try not to starve the Nozzles for compressed air and thereby limit the efficiency of the Airtx Nozzle.

Air Flow to Air Saver Wedge from Quick Connect and Pipe Nipple

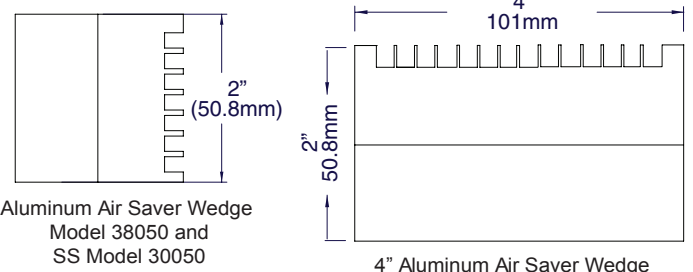
CCW turns from Closed Position	1/4" Quick Connect			
	40psi	60psi	80psi	100psi
1/4	10 cfm	12 cfm	13 cfm	15 cfm
1/2	16	19	22	24
3/4	20	24	27	30
1	22	27	30	34
1 -1/2	25	30	34	38
CCW turns from Closed Position	1/4" Pipe Nipple			
	40psi	60psi	80psi	100psi
1/4	10 cfm	12 cfm	13 cfm	15 cfm
1/2	18	21	24	26
3/4	24	28	32	36
1	29	34	38	44
1 -1/2	36	41	47	52
2	38	45	52	54



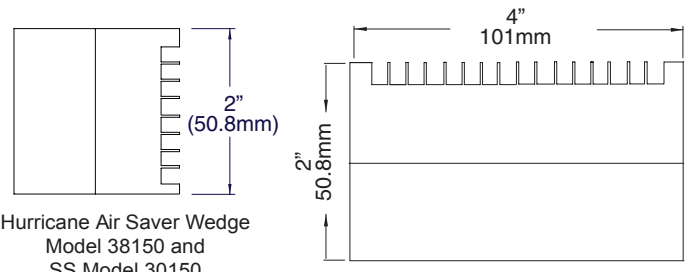
The Air Research Technology Company

6320 Wiehe Road, Cincinnati, Ohio 45237

Phone: 1-513-631-0660 / www.airtx.com



Aluminum Air Saver Wedge
Model 38050 and
SS Model 30050



Hurricane Air Saver Wedge
Model 38150 and
SS Model 30150

4" Aluminum Air Saver Wedge
Model 38054 and
SS Model 30054

4" Hurricane Air Saver Wedge
Model 38154 and
SS Model 30154

BLOW-OFF FORCES IN OUNCES OF THRUST

Air Saver Wedge Model 38050 & 30050

Distance from target	Pressure (psi)			
	40 psi	60 psi	80 psi	100 psi
6"	20	28	34	39
12"	14	22	29	35
18"	10	17	24	30
Air Usage cfm	16	22	28	32

Air Saver Wedge Hurricane Model 38150 & 30150

Distance from target	Pressure (psi)			
	40 psi	60 psi	80 psi	100 psi
6"	46	64	78	90
12"	32	51	67	81
18"	23	39	55	69
Air Usage cfm	29	40	50	58

4" Air Saver Wedge Model 38054 & 30054

Distance from target	Pressure (psi)			
	Hurricane 40 psi	Hurricane 60 psi	Hurricane 80 psi	Hurricane 100 psi
6"	40	56	68	78
12"	28	44	58	70
18"	20	34	48	60
Air Usage cfm	32	44	56	64

4" Air Saver Wedge Hurricane Model 38154 & 30154

Distance from target	Pressure (psi)			
	Hurricane 40 psi	Hurricane 60 psi	Hurricane 80 psi	Hurricane 100 psi
6"	94	128	156	180
12"	64	102	134	162
18"	46	78	110	130
Air Usage cfm	52	70	90	104

ASK ABOUT

AIR KNIVES

www.airtx.com



HURRICANE AIR KNIFE
Model 86006

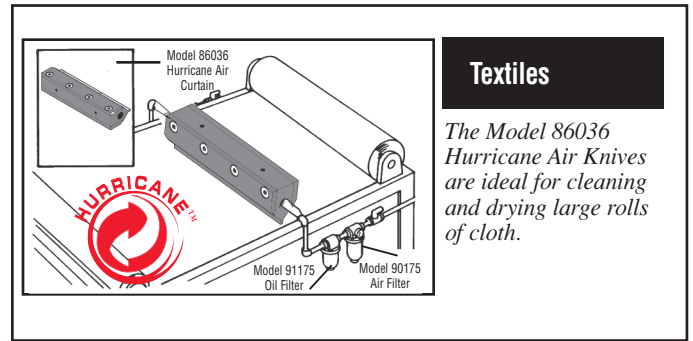


Double the Air Volume of other Air Knives!
(50:1 Air Amplification)

ADVANTAGE - AIR KNIVES

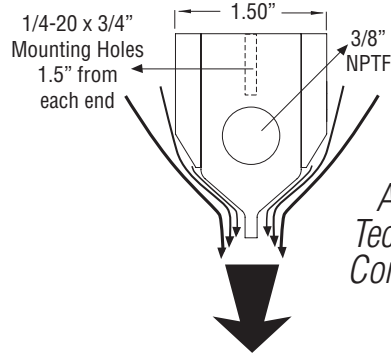
- Wide area blow-off or cooling with less noise
- Replace open Jets with AiRTX Air Knives
- Low initial and operating costs
- Up to 70% less compressed air usage than open air lines
- Easy to control flow/force • Instant on/off
- No rotating machinery, guards or clumsy ducts
- No maintenance, no moving parts
- No electricity or explosion hazard
- No RF/EMI interference

Replace Uncontrollable Open Jets with AiRTX Air Knives



Textiles

The Model 86036 Hurricane Air Knives are ideal for cleaning and drying large rolls of cloth.



AiRTX Air Amplification Technology Multiplies Your Compressed Air Dollar AND Reduces Noise

Air Knives, Air Amplifiers, Nozzles, Blow Guns, Manifolds - For All Your Blow Off Needs

ASK ABOUT

ADJUSTABLE, FIXED FLOW, FLARE AIR SAVER NOZZLES

www.airtx.com



ADJUSTABLE AIR SAVER NOZZLE
Model 48009

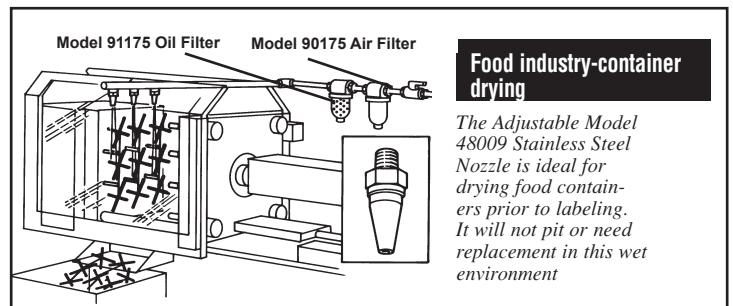
FIXED FLOW AIR SAVER NOZZLE
Model 48107



ADVANTAGES- NOZZLES

- Replacing direct compressed air use – pipe nipples and copper tube
- Ejecting parts from molding machines and stamping presses
- Blow-off of chips, trim scrap, swarf
- Part cleaning before painting
- Plant air conservation and noise reduction
- Cooling molded or cast parts
- Cleaning/cooling of metal strip and plastic/paper webs
- Cleaning/cooling of conveyerized or transfer line parts
- Manifolds available for multiple unit

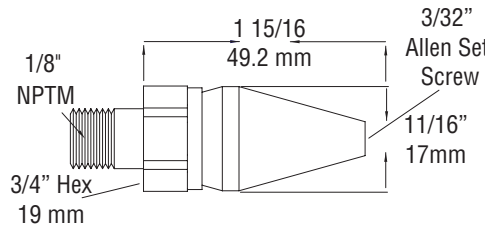
Powerful Blow-Off with Lower Air Cost and Lower Noise than straight Compressed Air Tubes



Food industry-container drying

The Adjustable Model 48009 Stainless Steel Nozzle is ideal for drying food containers prior to labeling. It will not pit or need replacement in this wet environment

SAVE 50-90% of your electric bill with AiRTX Nozzles. You may not need that new additional Air Compressor.



AIR SAVER NOZZLE
Model 48009

Adjustable Air Saver Nozzle
Model 48009 & 40009

Distance from target	Pressure (psi)			
	40 psi	60 psi	80 psi	100 psi
6"	7.7	12.2	16.5	20.6
12"	7.6	11.5	15.9	20.1
18"	6.9	10.0	13.3	16.8

Air Saver Nozzle set @ 15 cfm @ 80 psi