

# HURRICANE ADJUSTABLE FLOW AIR AMPLIFIERS, AND JETS



6320 Wiehe Road, Cincinnati, Ohio 45237

Phone: 1-513-631-0660 / [www.airtx.com](http://www.airtx.com)

## 1. COMPRESSED AIR SUPPLY

Air supplies are plagued with condensed water vapor in the air lines. This condensation leads to rust and dirt in the air lines. Also some compressors will allow oil or oil vapor to enter the line. Small orifices in the AiRTX Air Saver products may become clogged with rust, dirt, and water droplets. A 5-micron filter will separate 99% of the foreign material from the air supply allowing virtually maintenance free operation. The use of an oil filter will remove the oil droplets with an effective filtration of 0.01 ppm for an even cleaner air supply. Air Filter Model 90175 can be used with all AiRTX products. The Oil Filter Model 91175 can be used along with the 90175 air filter for the same AiRTX products. Keep in mind that the current line or air might contain dirt or oil and should be blown out before installation. Also pipe thread sealant or tape must be carefully applied to avoid clogging product orifices.

## 2. AiRTX PRODUCT PERFORMANCE/COMPRESSED AIR SUPPLY LINE SIZE.

To obtain maximum performance from the AiRTX products, accurate measurements of air pressure (psi) and air volume (cfm) must be obtained. Line pressure of 70-90 psi can be present without sufficient volume (cfm) of air. To ensure that both pressure and volume are present to efficiently operate the AiRTX products, a line size of 1/4" pipe or 1/2" hose should be used for applications up to 10 ft. from the main header. Use 3/8" pipe or 3/4" hose up to 20 ft. and 3/4" pipe and 1" hose up to 50 feet.

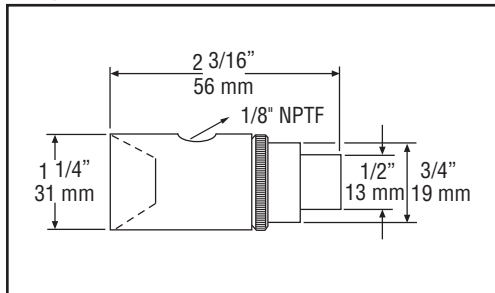
## 3. USE AND INSTALLATION OF AiRTX HURRICANE AMPLIFIERS, AND JETS

All of the AiRTX products are easily adjusted for increased or decreased air flow, depending on your particular need. Each setting of the product will produce amplified air flows. The Jets amplify the compressed air flow by 15. The Hurricane Air Amplifiers increase the compressed air volume up to 75 times. A clockwise turn of the barrel reduces air flow. A counter clockwise turn increases air flow.

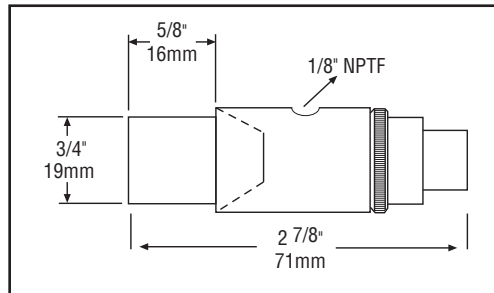
## 4. MAINTENANCE AND CLEANING

All of the AiRTX products are easily disassembled for easy cleaning and removal of dirt, rust or contaminants with a solvent and clean rag.

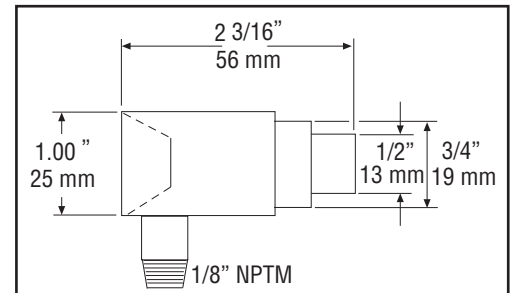
## High-Thrust Jet Models



**High-Thrust Jet Model 38038**  
(BSPT Thread Available)



**High-Thrust Jet Model 38044**  
(BSPT Thread Available)



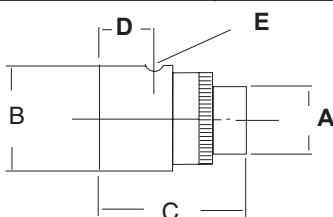
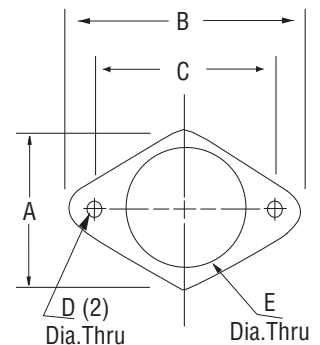
**High-Thrust Jet Model 38038E**  
(BSPT Thread Available)

### Hurricane Adjustable Air Amplifier Dimensions

Model	A	B	C	D	E	Throat Dia.
15004	0.5"	1.25"	2.25"	.50"	1/8" NPT	.38"
10004	13mm	31mm	57mm	12mm		9mm
15008	1.25"	2.00"	3.00"	1.00"	1/4" NPT	0.88"
10008	31mm	50mm	76mm	25mm		22mm
15015	2.00"	3.00"	3.25"	1.00"	3/8" NPT	1.65"
10015	50mm	76mm	83mm	25mm		42mm
15025	2.5"	3.63"	3.63"	1.25"	3/8" NPT	2.25"
10025	63mm	92mm	92mm	31mm		57mm
15030	3.88"	5.00"	5.00"	1.50"	1/2" NPT	3.00"
10030	98mm	127mm	127mm	38mm		76mm

### Air Amplifier Bracket Dimensions

Model#	A	B	C	D	E
10000-30	2.00	3.00	2.50	0.27	1.45
10000-31	3.00	4.50	3.50	0.27	2.26
10000-32	4.00	6.00	4.75	.375	2.75
10000-33	5.00	7.75	6.50	0.53	4.00

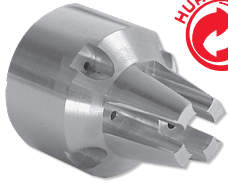


# ASK ABOUT

## ADJUSTABLE, FIXED FLOW, FLARE AIR SAVER NOZZLES

www.airtx.com

**ADJUSTABLE AIR SAVER NOZZLE Model 48009**

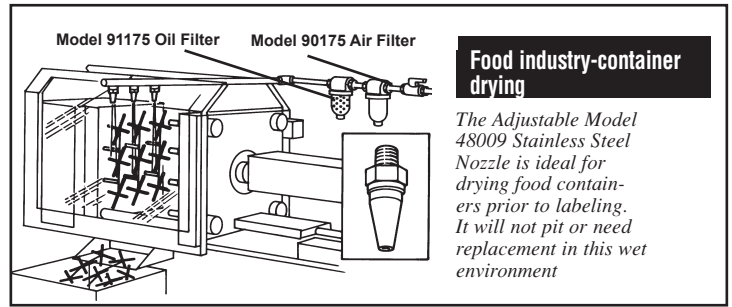


**FIXED FLOW AIR SAVER NOZZLE Model 48107**

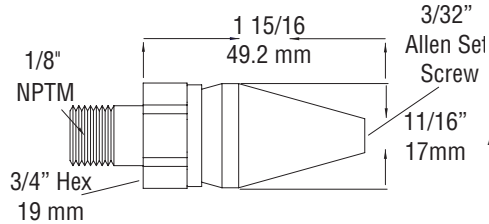
### ADVANTAGES- NOZZLES

- Replacing direct compressed air use – pipe nipples and copper tube
- Ejecting parts from molding machines and stamping presses
- Blow-off of chips, trim scrap, swarf
- Part cleaning before painting
- Plant air conservation and noise reduction
- Cooling molded or cast parts
- Cleaning/cooling of metal strip and plastic/paper webs
- Cleaning/cooling of conveyORIZED or transfer line parts
- Manifolds available for multiple unit

*Powerful Blow-Off with Lower Air Cost and Lower Noise than straight Compressed Air Tubes*



*SAVE 50-90% of your electric bill with AiRTX Nozzles. You may not need that new additional Air Compressor.*



**AIR SAVER NOZZLE Model 48009**

**Adjustable Air Saver Nozzle Model 48009 & 40009**

Distance from target	Pressure (psi)			
	40 psi	60 psi	80 psi	100 psi
6"	7.7	12.2	16.5	20.6
12"	7.6	11.5	15.9	20.1
18"	6.9	10.0	13.3	16.8

*Air Saver Nozzle set @ 15 cfm @ 80 psi*

# ASK ABOUT

## AIR KNIVES

www.airtx.com

**HURRICANE AIR KNIFE Model 86006**

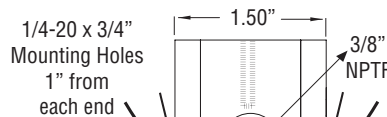
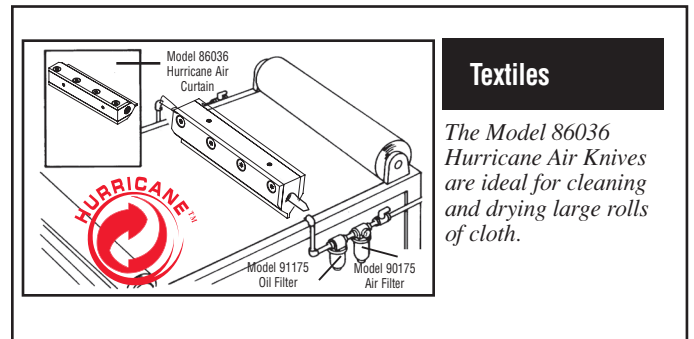


*Double the Air Volume of other Air Knives!  
(50:1 Air Amplification)*

### ADVANTAGES - AIR KNIVES

- Wide area blow-off or cooling with less noise
- Replace open Jets with AiRTX Air Knives
- Low initial and operating costs
- Up to 70% less compressed air usage than open air lines
- Easy to control flow/force • Instant on/off
- No rotating machinery, guards or clumsy ducts
- No maintenance, no moving parts
- No electricity or explosion hazard
- No RF/EMI interference

*Replace Uncontrollable Open Jets with AiRTX Air Knives*



*AiRTX Air Amplification Technology Multiplies Your Compressed Air Dollar AND Reduces Noise*

*Air Knives, Air Amplifiers, Nozzles, Blow Guns, Manifolds - For All Your Blow Off Needs*