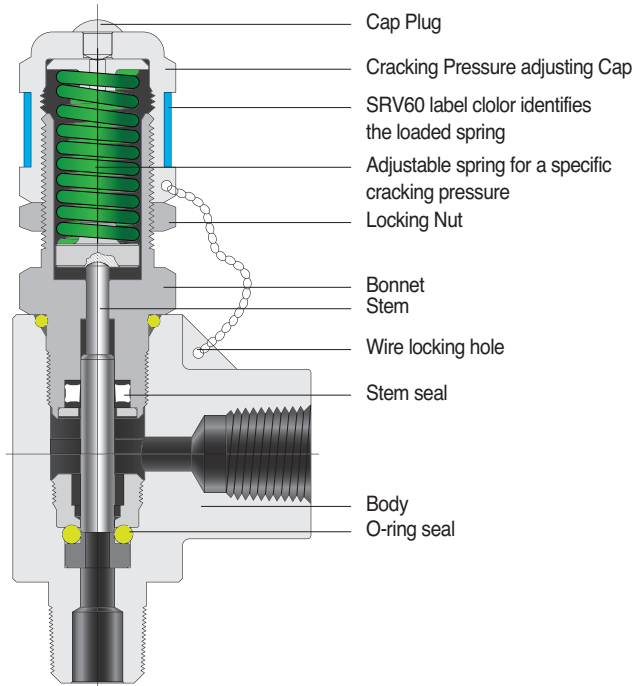


Relief Valve SRV60 Series for 6,000 psig(413 bar)



SRV60 Series Technical Data

- Maximum working pressure : 6,000 psig (413 bar)
- Orifice size : 3.6 mm (0.14 in)
- Cv= 0.41
- Cracking pressure range :50 to 6000 psig (3.4 to 413 bar)

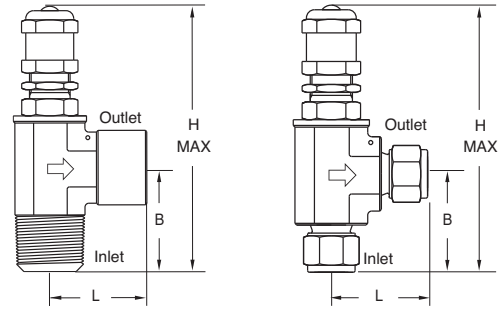
SRV60 Series Spring Designators

Spring Designator	Cracking Pressure		Color code
	psig	bar	
A	50 to 350	3.4 to 24	White
B	350 to 750	24 to 51.6	Blue
C	750 to 1500	51.6 to 103	Clear
D	1,500 to 2,250	103 to 155	Black
E	2,250 to 3,000	155 to 206	Green
F	3,000 to 4,000	206 to 275	Yellow
G	4,000 to 5,000	275 to 344	Brown
H	5,000 to 6,000	344 to 413	Orange

Product Information

Materials of Construction

Cap Plug	Polypropylene
Adjusting Cap	S316 / ASTM A276 or A479
Spring	17-7 PH SS / AMS 5678
Locking Nut	S316 ASTM A276 or A479
Bonnet	
Poppet	
Stem & O-ring seal	Standard Viton, optional EPDM and NBR
Body	F316 / ASTM A182



Ordering Information and Table of Dimensions

Basic Ordering NO.	End Connection		Orifice mm.(in)	Dimensions mm (in.)				
	Inlet	Outlet		H	B	L		
SRV30	S-4T	1/4 S-LOK	(SRV30) 4.8 (0.19)	100 (3.93)	37 (1.45)	39 (1.53)		
	S-6M	6mm S-LOK			38 (1.49)	40 (1.57)		
	S-8M	8mm S-LOK		105 (4.13)	44 (1.73)	42 (1.65)		
	S-8T	1/2 S-LOK			98 (3.85)	36 (1.41)	42 (1.65)	
	S-12M	12mm S-LOK				(SRV60) 3.4 (0.13)	94 (3.70)	32 (1.25)
MS-8N8T	1/2 Male NPT	1/2 S-LOK	98 (3.85)	36 (1.41)	42 (1.65)			
MS-8N12M	1/2 Male NPT	12mm S-LOK			94 (3.70)		32 (1.25)	35 (1.37)
MF-4N	1/4 Male NPT	1/4 Female NPT	98 (3.85)	36 (1.41)				38 (1.49)
MF-4R	1/4 Male ISO 7/1	1/4 Female ISO7/1						
MF-6N	3/8 Male NPT	3/8 Female NPT						
MF-6R	3/8 Male ISO 7/1	3/8 Female ISO7/1						
MF-8N	1/2 Male NPT	1/2 Female NPT						
MF-8R	1/2 Male ISO 7/1	1/2 Female ISO7/1						

All dimensions shown are for reference only and are subject to change. Dimensions with S-lok nuts are in finger-tighten position.

Ordering Information

Please select the desired valves basic ordering number, spring designator, the applicable seal and body material options from the table below.
Example : SRV60-S-4T-A-NBR-S6

Spring Designator	Seal Material designator	Body Material
Refer to spring Designator table1, 2	NIL : standard FKM	S6:S316
	NBR : NBR	
	EP : EPDM	

Factory pressure set valve

•To order, specify the set pressure in the valve ordering number
Example : SRV60-S-4T-C-EP-S6

Valve without spring installed

•To order, do not specify spring designator on the ordering number
Example : SRV60-S-8T-NBR-S6

NOTE : the valve with no spring installed with the label stated "NO SPRING INSTALLED" on the adjusting cap

Safe Valve Selection

The selection of a valve for any application to system design must be considered to ensure performance. Valve function, valve rating material compatibility, proper installation, operation and maintenance remain the sole responsibility of the system designer and the user, S-LOK accepts no liability for any selection, installation, operation or maintenance.