

PLEASE SIGN AND SELECT BELOW AND RETURN TO SHELCO FILTERS

- NOTES:**
- HOUSING - 304L STAINLESS STEEL
 - SWING BOLT HARDWARE - ZINC PLATED STEEL
 - FINISH - POLY COAT
 - CLOSURE GASKET - BUNA N
 - MAXIMUM OPERATING PRESSURE 150 PSI (10 BAR) @300°F (149°C)
 - BUTTERFLY VALVES - WETTED PARTS 316L STAINLESS STEEL; BODY - CAST STEEL VALVE SEAT - BUNA N

SIGNATURE _____

DATE _____ PO# _____

DISPOSITION:

APPROVED FOR CONSTRUCTION WITHOUT EXCEPTION

APPROVED WITH COMMENTS - MAKE CORRECTIONS NOTED

NOT APPROVED - REVISE PER COMMENTS AND RESUBMIT

REV	DESCRIPTION	DATE	BY
B	UPDATED HOLE DIMENTION FOR INLET, OUTLET	10 FEB 2020	LJR
A	INITIAL ISSUE	30 MAR 2016	DGC

UNLESS OTHERWISE SPECIFIED:

DIMENSIONS ARE IN INCHES

TOLERANCES:

FRACTIONAL $\pm 1/8"$

ANGULAR: MACH $\pm 1^\circ$ BEND \pm

TWO PLACE DECIMAL $\pm .01$

THREE PLACE DECIMAL $\pm .005$

INTERPRET GEOMETRIC TOLERANCING PER:

MATERIAL _____

FINISH _____

COMMENTS:

PROPRIETARY AND CONFIDENTIAL

THE INFORMATION CONTAINED IN THIS DRAWING IS THE SOLE PROPERTY OF THE TINNY CORPORATION. ANY REPRODUCTION IN PART OR AS A WHOLE WITHOUT THE WRITTEN PERMISSION OF THE TINNY CORPORATION IS PROHIBITED.

DO NOT SCALE DRAWING

NAME	DATE
DGC	

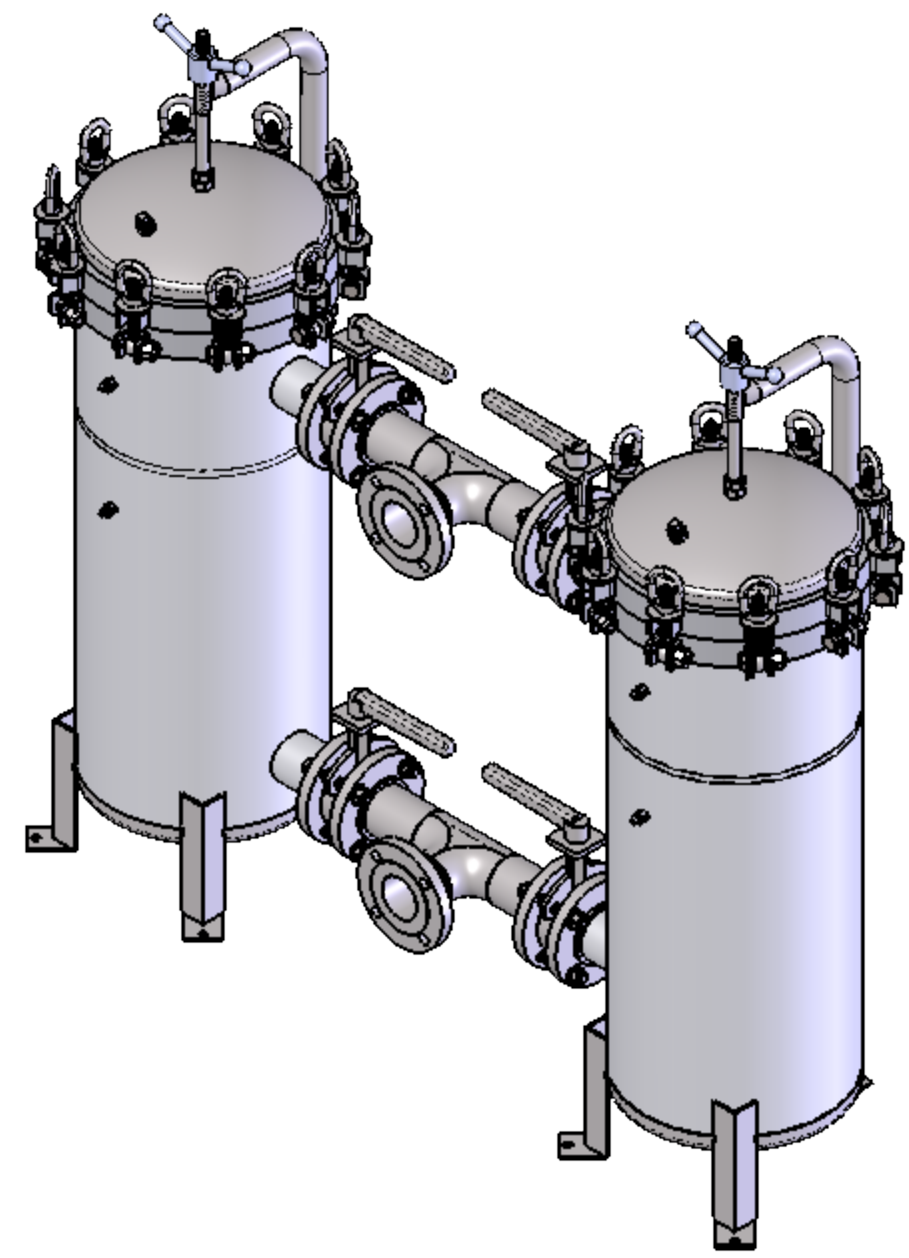
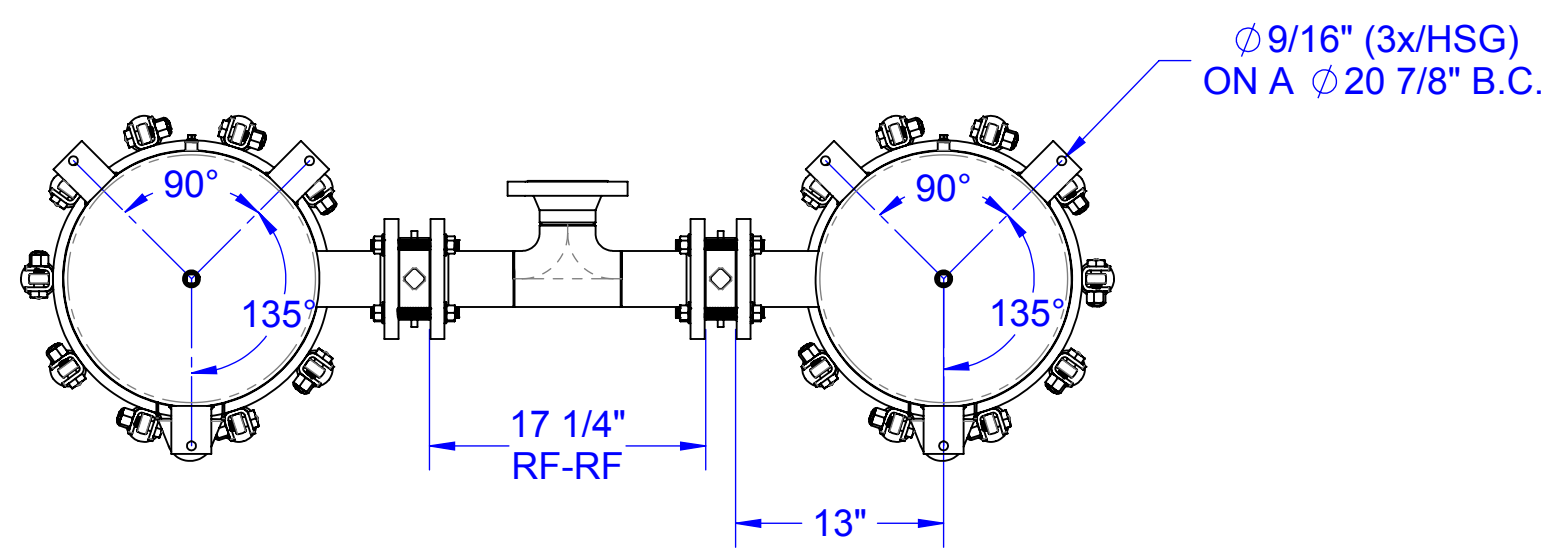
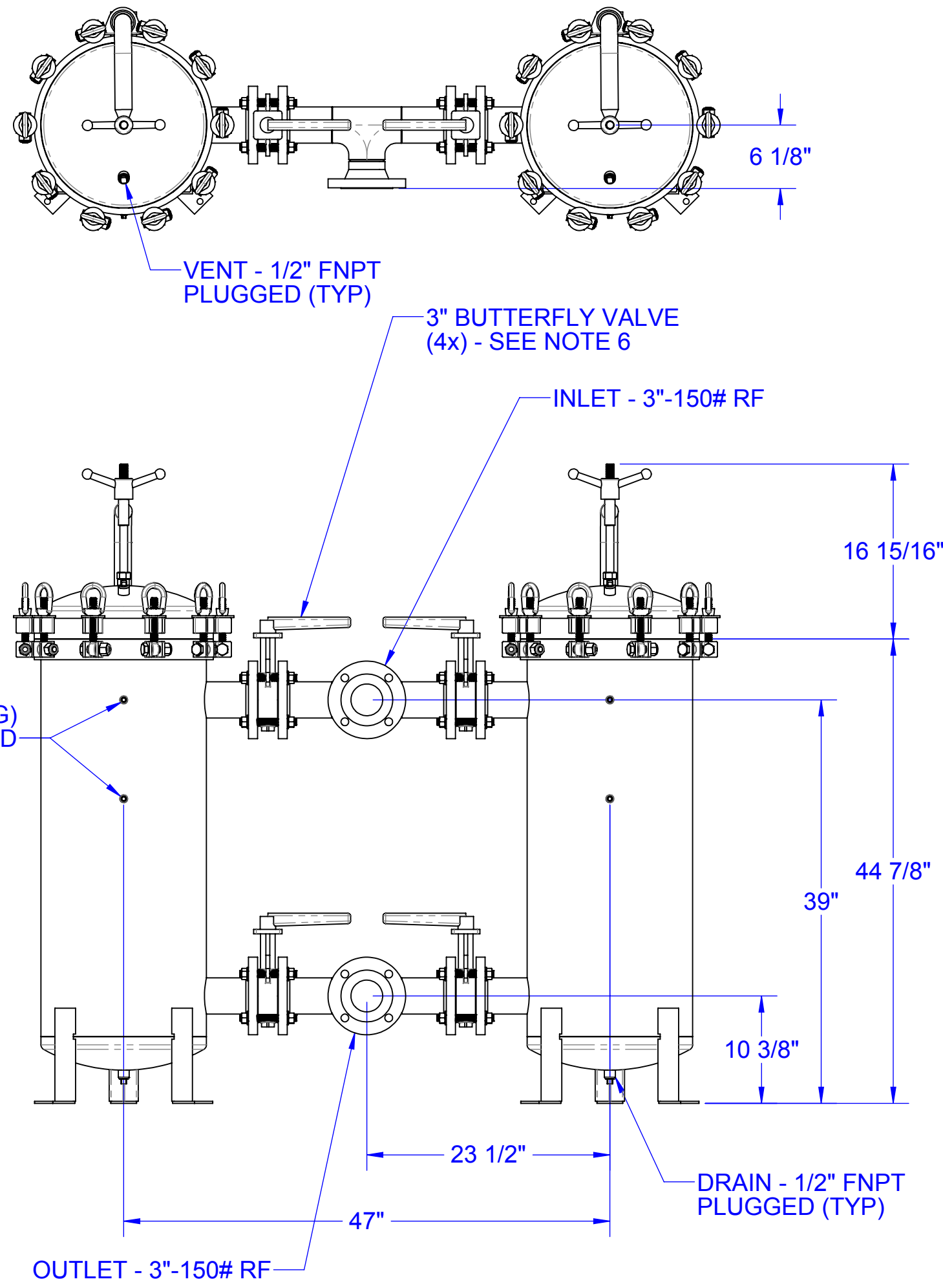
SHELCO FILTERS
MIDDLETOWN, CT 06457

TITLE: **2BFS-2SB-3F-DPX**

DWG. NO. **2BFS-2SB-3F-DPX**

REV **B**

APPROVAL _____




- NOTES:**
- HOUSING - 304L STAINLESS STEEL
 - SWING BOLT HARDWARE - ZINC PLATED STEEL
 - FINISH - POLY COAT
 - CLOSURE GASKET - BUNA N
 - MAXIMUM OPERATING PRESSURE 150 PSI (10 BAR) @300°F (149°C)
 - BUTTERFLY VALVES - WETTED PARTS 316L STAINLESS STEEL; BODY - CAST STEEL VALVE SEAT - BUNA N

UNLESS OTHERWISE SPECIFIED:		NAME	DATE
DIMENSIONS ARE IN INCHES		DGC	
TOLERANCES:			
FRACTIONAL ± 1/8"			
ANGULAR: MACH ± 1° BEND ±			
TWO PLACE DECIMAL ±.01			
THREE PLACE DECIMAL ±.005			
INTERPRET GEOMETRIC TOLERANCING PER:			
MATERIAL			
TITLE:		SHELCO FILTERS MIDDLETOWN, CT 06457	
		2BFS-2SB-3F-DPX	
COMMENTS:		PROPRIETARY AND CONFIDENTIAL	DWG. NO.
DO NOT SCALE DRAWING		THE INFORMATION CONTAINED IN THIS DRAWING IS THE SOLE PROPERTY OF THE TINNY CORPORATION. ANY REPRODUCTION IN PART OR AS A WHOLE WITHOUT THE WRITTEN PERMISSION OF THE TINNY CORPORATION IS PROHIBITED.	REV
		2BFS-2SB-3F-DPX	B
			SHEET 1 OF 2

REV	DESCRIPTION	DATE	BY
B	UPDATED HOLE DIMENTION FOR INLET, OUTLET	10 FEB 2020	LJR
A	INITIAL ISSUE	30 MAR 2016	DGC

REVISIONS

LEFT HAND UNIT

UNLESS OTHERWISE SPECIFIED:		NAME	DATE	 SHELCO FILTERS MIDDLETOWN, CT 06457
DIMENSIONS ARE IN INCHES		DRAWN	DGC	
TOLERANCES:		CHECKED		
FRACTIONAL $\pm 1/8"$		ENG APPR.		
ANGULAR: MACH $\pm 1^\circ$ BEND \pm		MFG APPR.		
TWO PLACE DECIMAL $\pm .01$		Q.A.		
THREE PLACE DECIMAL $\pm .005$		TITLE:		
INTERPRET GEOMETRIC TOLERANCING PER:		DETAILS		
MATERIAL				
FINISH				
COMMENTS:	PROPRIETARY AND CONFIDENTIAL		DWG. NO.	REV
	THE INFORMATION CONTAINED IN THIS DRAWING IS THE SOLE PROPERTY OF THE TINNY CORPORATION. ANY REPRODUCTION IN PART OR AS A WHOLE WITHOUT THE WRITTEN PERMISSION OF THE TINNY CORPORATION IS PROHIBITED.		BFS-2SB-3F-.5V-.75D-DPX	B
DO NOT SCALE DRAWING			SHEET 2 OF 2	