

# Condensate Pot & Air Distribution Manifolds

---

The best partner for value creation  
We support the innovations of customer



# 04



Catalogue No. S-LOK Jan.2023

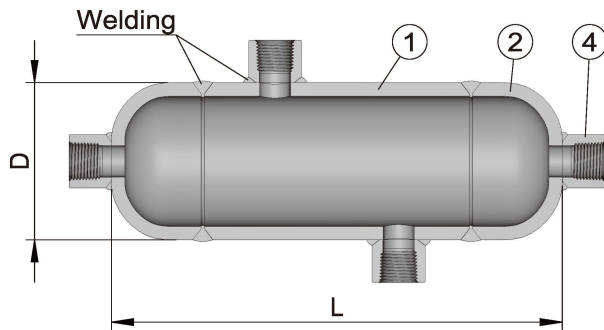
# Condensate Pot (CDP Series)

## Features

- Variety material and shapes available.
- Working pressure up to Class 2500.
- Variety of end connections.
- 100% factory pressure tested. (PT test standard, optional RT test)

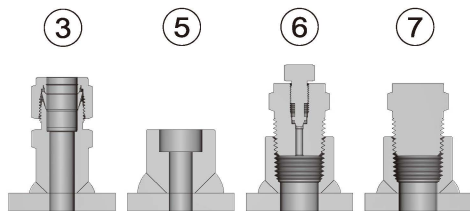


## Material of Construction & Dimension



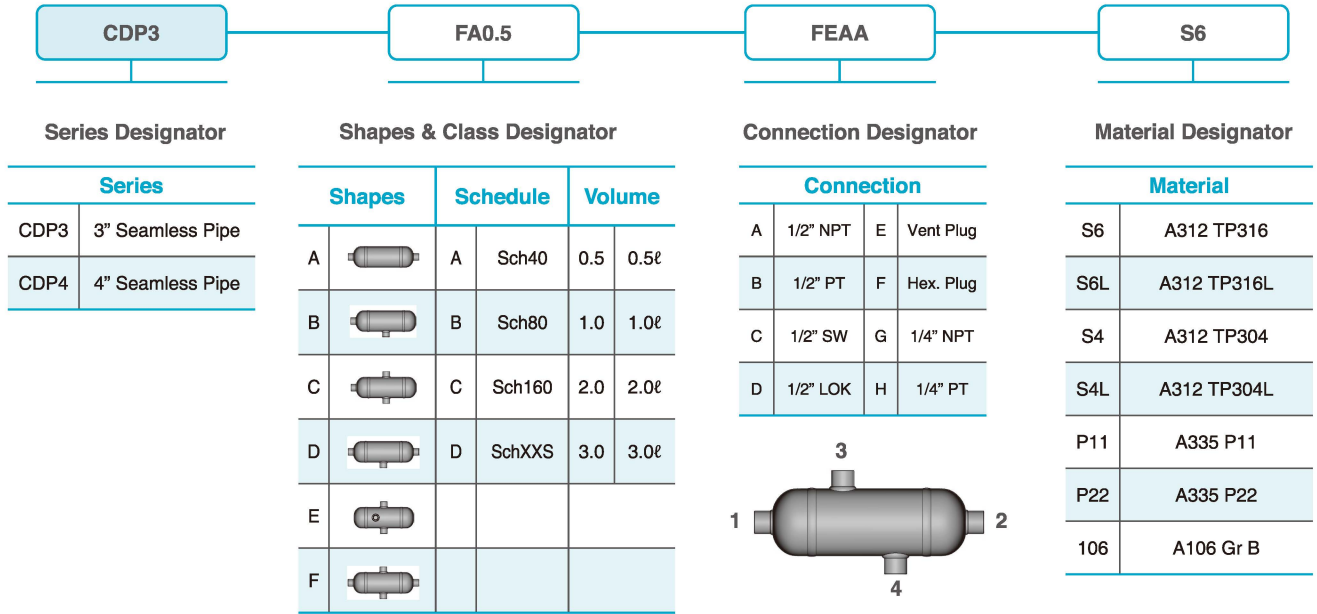
Pipe Size	D	L
3"	88.9	214
4"	114.3	360

- L length is adjustable according to client request to fit the system design.



Item	Component	Material	
		Stainless Steel	Carbon Steel
1	Pipe	A312 TP316	A106 Gr B
2	Cap	A403 WP316	A234 WPB
3	S-LOK Fitting (Pipe Weld)	Stainless Steel	Carbon Steel
4	Half Coupling (Thread)		
5	Half Coupling (Socket Weld)		
6	Half Coupling With Vent Plug		
7	Half Coupling With Hex Plug		

## Ordering Information



\* Length is adjustable according to client request to fit the Volume design.

# Air Distribution Manifolds (SADM Series)

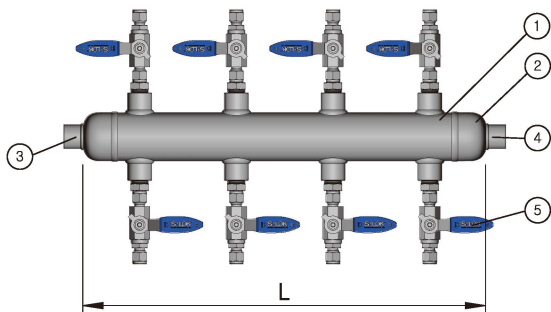
## Features

- Variety material and wall thickness available.
- Welded body construction.
- Variety of end connections. (Optional flanged and thread inlet)
- 100% factory pressure tested. (PT test standard, optional RT test)



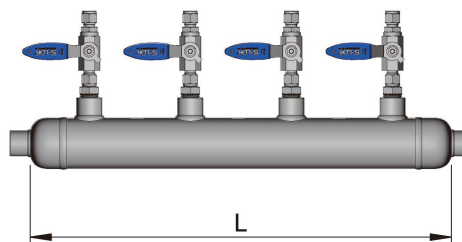
## Material of Construction & Dimension

### Double Side



- L length is adjustable according to client request to fit the system design.

### Single Side



Item	Component	Material	
		Stainless Steel	Carbon Steel
1	Pipe	A312 TP316	A106 Gr B
2	Cap	A403 WP316	A234 WPB
3	Inlet (Half Coupling)	Stainless Steel	Carbon Steel
4	Half Coupling		
5	S-LOK Ball Valve		
6	S-LOK Needle Valve		

## Ordering Information

SADM3	DBF8N	BS8T20-F12N BS8T20-1*	S6																																																								
Series Designator	Class & Inlet Designator	Outlet & Vent Designator	Material Designator																																																								
<table border="1"> <thead> <tr> <th>Series</th> <th>Series</th> </tr> </thead> <tbody> <tr> <td>SADM1</td> <td>1" Seamless Pipe</td> </tr> <tr> <td>SADM2</td> <td>2" Seamless Pipe</td> </tr> <tr> <td>SADM3</td> <td>3" Seamless Pipe</td> </tr> <tr> <td>SADM4</td> <td>4" Seamless Pipe</td> </tr> </tbody> </table>	Series	Series	SADM1	1" Seamless Pipe	SADM2	2" Seamless Pipe	SADM3	3" Seamless Pipe	SADM4	4" Seamless Pipe	<table border="1"> <thead> <tr> <th>Shapes</th> <th>Schedule</th> <th>Inlet</th> </tr> </thead> <tbody> <tr> <td>D Double</td> <td>A Sch40</td> <td>4 1/4"</td> </tr> <tr> <td>S Single</td> <td>B Sch80</td> <td>6 3/8"</td> </tr> <tr> <td></td> <td>C Sch160</td> <td>8 1/2"</td> </tr> <tr> <td></td> <td>D SchXXS</td> <td>12 3/4"</td> </tr> <tr> <td></td> <td></td> <td>16 1"</td> </tr> </tbody> </table> <p>- Thread shape (M : Male, F : Female)                      - Thread designator (N : NPT, R : PT)                      ex) F8N : Female 1/2"NPT                      - S-LOK end type (S*T : Inch, S*M : Metric)                      ex) S8T : S-LOK 1/2", S25M : S-LOK 25mm</p>	Shapes	Schedule	Inlet	D Double	A Sch40	4 1/4"	S Single	B Sch80	6 3/8"		C Sch160	8 1/2"		D SchXXS	12 3/4"			16 1"	<table border="1"> <thead> <tr> <th>Connection</th> <th>Outlet &amp; Vent</th> </tr> </thead> <tbody> <tr> <td>B Ball Valve</td> <td>4 1/4"</td> </tr> <tr> <td>N Needle Valve</td> <td>6 3/8"</td> </tr> <tr> <td></td> <td>8 1/2"</td> </tr> <tr> <td>Port Q'ty</td> <td>12 3/4"</td> </tr> <tr> <td>2 ~ 20</td> <td>16 1"</td> </tr> </tbody> </table> <p>* When the Vent's specification is same as Outlet specification, add -1. (1 means the Vent port quantity.)</p>	Connection	Outlet & Vent	B Ball Valve	4 1/4"	N Needle Valve	6 3/8"		8 1/2"	Port Q'ty	12 3/4"	2 ~ 20	16 1"	<table border="1"> <thead> <tr> <th>Material</th> <th>Material</th> </tr> </thead> <tbody> <tr> <td>S6</td> <td>A312 TP316</td> </tr> <tr> <td>S6L</td> <td>A312 TP316L</td> </tr> <tr> <td>S4</td> <td>A312 TP304</td> </tr> <tr> <td>S4L</td> <td>A312 TP304L</td> </tr> <tr> <td>P11</td> <td>A335 P11</td> </tr> <tr> <td>P22</td> <td>A335 P22</td> </tr> <tr> <td>106</td> <td>A106 Gr B</td> </tr> </tbody> </table>	Material	Material	S6	A312 TP316	S6L	A312 TP316L	S4	A312 TP304	S4L	A312 TP304L	P11	A335 P11	P22	A335 P22	106	A106 Gr B
Series	Series																																																										
SADM1	1" Seamless Pipe																																																										
SADM2	2" Seamless Pipe																																																										
SADM3	3" Seamless Pipe																																																										
SADM4	4" Seamless Pipe																																																										
Shapes	Schedule	Inlet																																																									
D Double	A Sch40	4 1/4"																																																									
S Single	B Sch80	6 3/8"																																																									
	C Sch160	8 1/2"																																																									
	D SchXXS	12 3/4"																																																									
		16 1"																																																									
Connection	Outlet & Vent																																																										
B Ball Valve	4 1/4"																																																										
N Needle Valve	6 3/8"																																																										
	8 1/2"																																																										
Port Q'ty	12 3/4"																																																										
2 ~ 20	16 1"																																																										
Material	Material																																																										
S6	A312 TP316																																																										
S6L	A312 TP316L																																																										
S4	A312 TP304																																																										
S4L	A312 TP304L																																																										
P11	A335 P11																																																										
P22	A335 P22																																																										
106	A106 Gr B																																																										