



RADIANT CONVEYOR TOASTER

XTRM-1 (1.5" opening) | XTRM-2 (1.5" opening) | XTRM-2H (3" opening)
XTRM-3 (1.5" opening) | XTRM-3H (3" opening)



X*TRM-1



X*TRM-2



X*TRM-3



X*Treme® Series Toasters

- Holds toast at the perfect temp.
- Handles breads, bagels or muffins
- Variable conveyor speed for optimum toast color and texture
- Easily accessible conveyors and crumb trays are simple to clean
- Self-dispensing bread drawer
- Power saver switch reduces energy consumption by 50%.
- XTRM-2 air circulation system senses toaster cavity temperature for the fastest startup.
- XTRM-2 and XTRM-3 feature independantly controlled top and bottom heating elements
- XTRM-3 features includes exclusive pre-heat convection system

Options & Accessories

- Stacking Kit (XTRM-2 & XTRM-3)

Construction

- Stainless steel housing with powder-coated aluminum front corners
- Metal sheathed heating elements out-perform competitive quartz tube heating
- XTRM-2 and XTRM-3 feature stainless steel conveyor belt
- One inch adjustable legs.

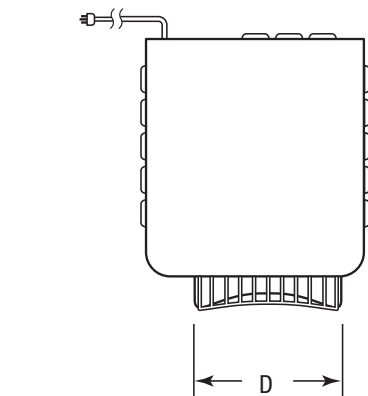
Design Features

- Small counter space footprint
- “Cool Touch” exteriors prevent injuries
- Power saver switch reduces energy consumption by 50%.
- Removable side panel for service
- High temperature bearings never require lubrication.

Agency Listings

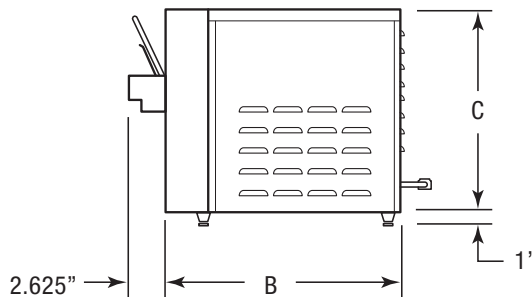
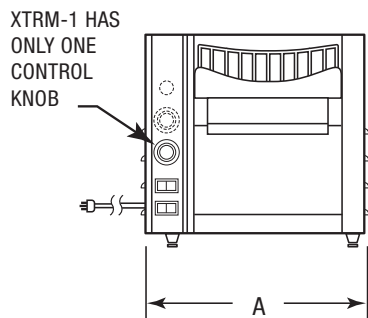


Dimensions



Model	A (Width)	B (Depth)	C (Height)	D (Opening)
XTRM-1	15.19"	16.75"	12.22"	10.5"
XTRM-2	15.69"	16.75"	15.0"	10.5"
XTRM-2H	15.69"	16.75"	16.5"	10.5"
XTRM-3	18.69"	17.03"	15.0"	13.5"
XTRM-3H	18.69"	17.03"	16.5"	13.5"

*Product opening height is 1 1/2" on the XTRM-2 and XTRM-3
Product opening height is 3" on the XTRM-2H and XTRM-3H*



Toasting Capacity

XTRM-1: 350 slices per hour

XTRM-2: 800 slices per hour | **XTRM-2H:** 600 slices per hour

XTRM-3: 1050 slices per hour | **XTRM-3H:** 800 slices per hour

Construction

Stainless steel top skirt, grease trough, grease collector drawer, and front panel. Stainless steel radiant. Aluminized steel sides and back panel. 4" adjustable legs. Welded construction.

Electrical Specifications

Equipped with a 39", three wire grounded power cord and standard three pronged male plug. U.S. 120V units use a NEMA 5-15P plug. Canadian 120V unit use a 5-20P plug, 208V, 240V and 230V use a NEMA 6-20P CE 230V/50Hz unit uses a European Type "D" plug.

XTRM-1: 120V, 1725W, 14.4 Amps | 208V, 1725W, 8.2 Amps | 240V, 1725, 7.2Amps | Export 230V, 1725, 7.5Amps

XTRM-2 & XTRM-2H: 208V, 2840W, 13.6Amps | 240V, 2840W, 11.8Amps | 230V, 2840W, 12.3Amps

XTRM-3 & XTRM-3H: 208V, 3340W, 16Amps | 240V, 3340W, 14Amps | 230V, 3340W, 14Amps

Shipping

XTRM-1: 45 lbs (15.8kg)

XTRM-2: 50 lbs (22.7kg) | **XTRM-2H:** 54 lbs (24.5kg)

XTRM-3: 56 lbs (25.4kg) | **XTRM-3H:** 61 lbs (27.7kg)

Freight Class: 100

FOB: Smithville 37166

© 2021 APW Wyott All rights reserved.