

PRODUCT:

QUANTITY:

ITEM:

## Designed Smart

**Model:**

TM-90 (without drain)  
TM-90D (with drain)

TM-90-UL (without drain)  
TM-90D-UL (with drain)

(Specify voltage below):

120V-750W            208/240V-1200/1600W  
120V-1200W        208/240/277V-900/1200/1600W  
208V-1600W

**Model:**

TM-12 (without drain)  
TM-12D (with drain)

TM-12-UL (without drain)  
TM-12D-UL (with drain)

**Model:**

TM-43 (without drain)  
TM-43D (with drain)

TM-43-UL (without drain)  
TM-43D-UL (with drain)

(Specify voltage below):

120V-1800W            208V-1800W



## Bid Specifications

Heavy-duty top mount, uninsulated rectangular Drop-In Hot Food Well is designed for installation in metal, or wood countertops, if optional wood mounting kit is provided. Hot Food Well is designed to accommodate standard size steamtable pans. Well is constructed of deep-drawn austenite stainless steel, above countertop with aluminized outer housing with sides and bottom fully insulated. Units shipped with drain are provided with stainless steel 1/2" NPT drain welded bottom of pan provided with removable screen. Unit is heated by a tubular heating element shaped in serpentine fashion for even heat distribution to pan base.

Element is mounted under well and secured by aluminized deflector shield for maximum efficiency. Entire heat assemble is covered with galvanized housing with layer of 1" thick fiberglass insulation fixed to bottom of pan with threaded studs for ease of service. Unit standard with APW Wyott E-Z Locks on all four exterior sides for easy installation. The units are available in a UL Recognized component construction with open wires and increase-decrease plate or complete UL Listed construction including electrical conduit, bezel and control box.

## APW Wyott Design Features

- Stainless steel well pans.
- Unit may be used WET or DRY (wet offers best results)
- Easy access to heating elements
- Thermostatic control with 36" capillary (effective length 26")
- Compact housing – overall depth 8 5/16"
- Standard EZ Lock reduces installation time
- Large indicating pilot light

## Options

- Wood mounting kit TM-43 (55317)
- Wood mounting kit TM-90 (55131)
- Stainless steel drain coupling (56420)
- Thermostat with 72" capillary (effective length 62")
- Recessed bezel (56370)

## Reliability backed by APW Wyott's Warranty

All APW Wyott Food Wells are backed by a 1-year parts and labor warranty, including on-site service calls within 50 miles of authorized service technicians.

•Certified by the following agencies:

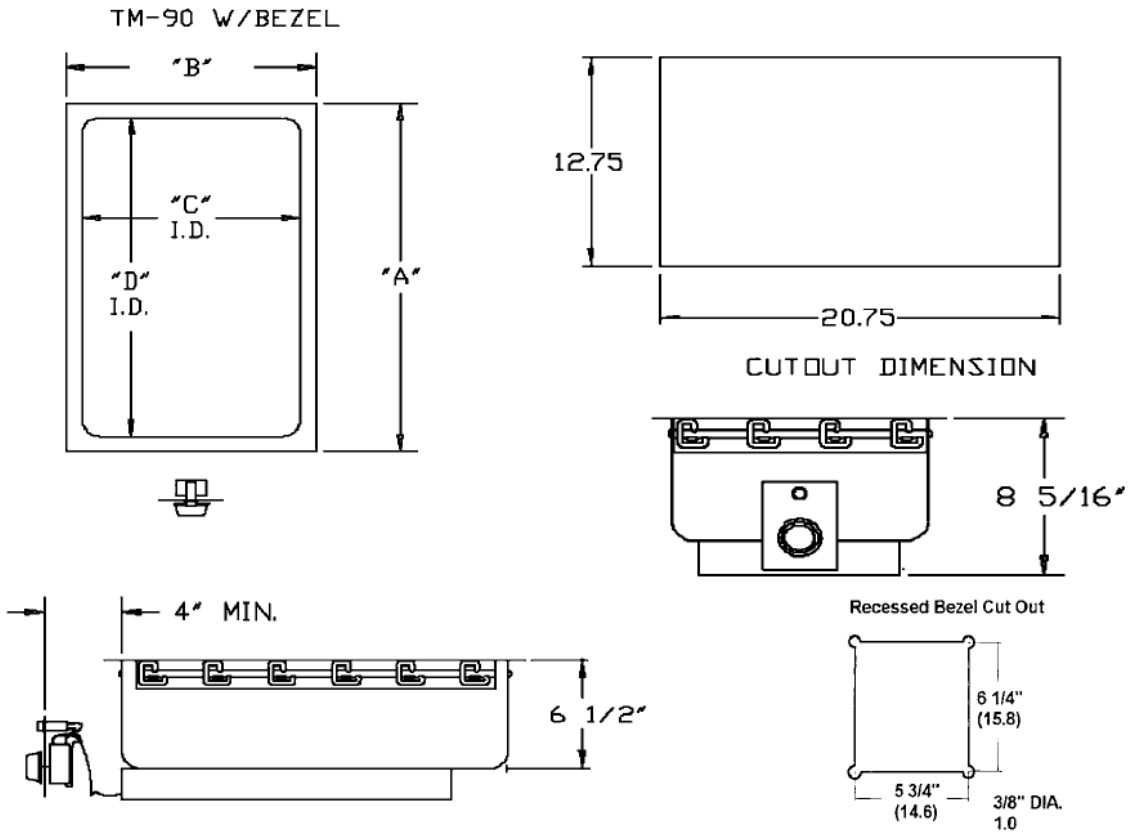


See reverse side for product specifications.

PRODUCT:

QUANTITY:

ITEM:



DIMENSIONS				ELECTRICAL			WOOD MOUNT KIT		SHIP WT.
MODEL	OUTSIDE (AxB)	INSIDE (Cx D)	CUT-OUT	VOLTS	WATTS	AMPS	CUTOUT	OUTSIDE	
TM-90	8-5/16" H (21.1 cm)	6-1/4" H (16.5 cm)	12-3/8"W (31.43 cm)	120	750	6.3	14-1/2" W (36.8 cm)	15-1/4" W (38.7 cm)	23 LBS. (10.4 Kg) (UL) 22lbs. (10Kg)
	13-5/8" W (34.6 cm)	11-7/8" W (30.2 cm)	20-3/8"L (51.75 cm)	120	1200	10.0	22-1/2" L (57.2 cm)	23-1/4" L (59.1 cm)	
	21-5/8" L (54.9 cm)	19-7/8" L (50.5 cm)		208	1600	7.7			
				208/240	1200/1600	5.8/6.7			
TM-43	8-5/16" H (21.1 cm)	6-1/4" H (16.5 cm)	12-3/4" W (32.4 cm)	120	1800	15.0	14-5/8" W (37.0 cm)	15-15/16" W (40.5 cm)	23 LBS. (10.4 Kg) (UL) 23lbs. (10.4 Kg)
	13-5/8" W (34.6 cm)	11-7/8" W (30.2 cm)	27-3/4" L (70.5 cm)	208	1800	8.7	29-5/8" L (75.2 cm)	30-1/4" L (76.9 cm)	
	28-9/16" L (72.6 cm)	26-7/8" L (68.3 cm)							
TM-12L	8-5/16" H (21.1 cm)	6-1/4" H (16.5 cm)	6-11/16" W (17.1 cm)	120	500	4.2	N/A	N/A	12 LBS. (5.5 Kg) (UL) 23lbs. (10.4 Kg)
	7-11/16" W (4.6 cm)	5-15/16" W (15.1 cm)	20-13/16" L (52.8 cm)						
	21-5/8" L (72.6 cm)	19-7/8" L (50.5 cm)							

**Letters after model number indicate:**

- No letter = 1" radiused corners, UL recognized
- C-Square corners in well pan
- D-Units with drain
- UL-UL listed units

\*APW Wyott reserves the right to modify specifications or discontinue models without incurring obligation.