

APW Wyott RTR-4 and RTR-8 refrigerated topping rails keeps food at NSF safe temperatures. All pans are removable for easy cleaning and feature hinged lids.

The stainless steel construction ensures easy cleaning and long life. Select from a 4 pan or 8 pan model with 1/2" nonadjustable legs.



## OPTIONS

- 5-year compressor warranty
- 4" adjustable legs available for the RTR-8 (4939100)

## WARRANTY

APW Wyott Refrigerated Topping Rails are backed by a 1-year parts and labor warranty, including on-site service calls within 50 miles of authorized service technicians.

## CERTIFICATIONS

Certified by the following agencies:



## RTR-4 FEATURES

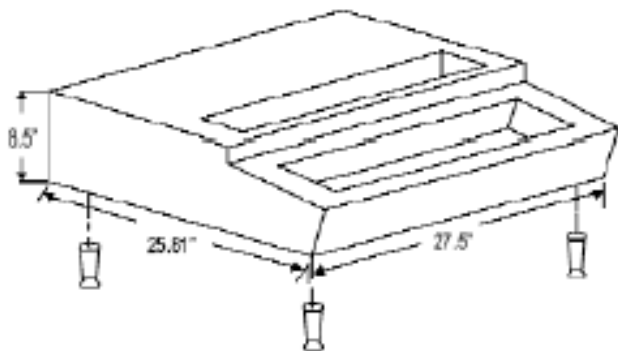
- Smaller model for tight counter space
- Refrigerated countertop system that keeps everything at NSF safe temperatures
- Holds 4 pans 1/6th size by 6" deep
- Each pan has its own hinged, removable cover
- All pans are completely removable for easy cleaning
- All stainless steel construction and 1/2" nonadjustable legs
- Cold well refrigeration system utilizes at 1/6 HP compressor.

## RTR-8 FEATURES

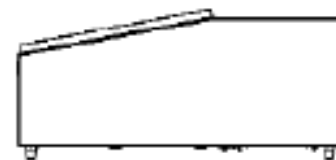
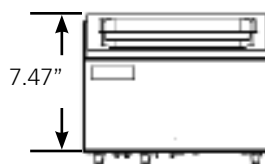
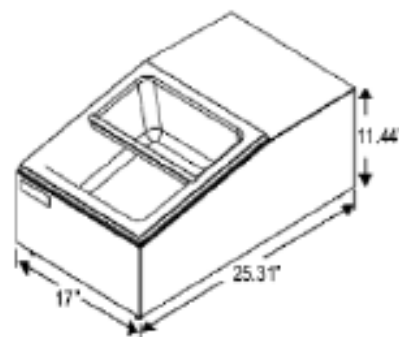
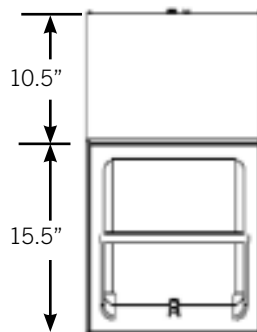
- Holds 4 pans 1/6th size by 4" deep in the lower section and 4 pans size 1/6th size by 6" deep in the upper section
- Each pan has its own hinged, removable cover.
- All pans are completely removable for easy cleaning
- All stainless steel construction and 1/2" nonadjustable legs
- Cold well refrigeration system utilizes a 1/5 HP compressor

## EQUIPMENT DIMENSIONS

Model: RTR-8



Model: RTR-4



## MECHANICAL SPECIFICATIONS

Model #	Volts	Watts	Hz	Phase	Amps	Overall Dimensions	Ship Weight (lbs. / Kilos)
						Width x Height* x Depth (inches / mm)	
RTR-4	120	360	60	1	3	17" x 11.377" x 25.946" (432 x 289 x 659)	78 lbs. (35.4 kg)
RTR-8	120	480	60	1	4	27.5" x 9.5" x 25.946" (699 x 241 x 659)	108 lbs. (49 kg)

\*Height includes legs.

## REQUIRED CLEARANCES

	Combustible
Left	? ( ? mm)
Right	? ( ? mm)
Back	? ( ? mm)

Freight Class: 70  
 FOB: Allen, 75013

APW Wyott reserves the right to modify specifications or discontinue models without incurring obligation. Dimensions nominal.