



ATOSA USA

**"WE MAKE THE KITCHEN BETTER!"**

Toll Free: 855-855-0399 Email: [info@atosausa.com](mailto:info@atosausa.com)  
[www.atosausa.com](http://www.atosausa.com) | [www.atosausa.com](http://www.atosausa.com)  
 California, Colorado, Florida, Georgia, Illinois,  
 Massachusetts, New Jersey, Ohio, Texas, Washington

# Compartment Sinks

## MRSA-1-N

### Standard Features

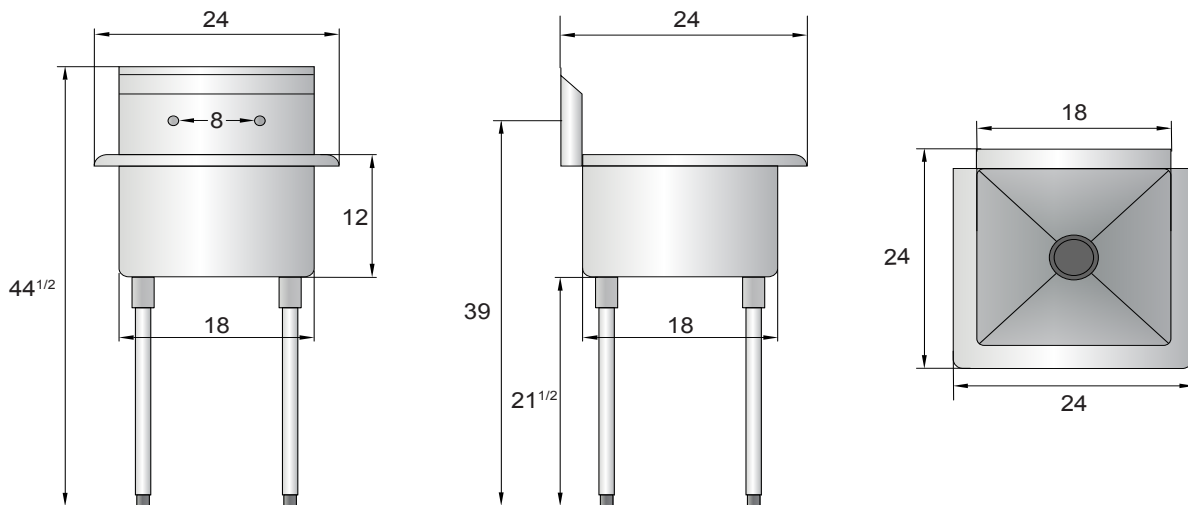
- Entire sink is formed from a single sheet, fused and polished creating a one-piece sanitary unit
- All exposed welds are grounded smooth and polished to blend with adjacent surfaces providing a satin finish
- Large radius on all corners both vertically and horizontally
- Galvanized legs are standard on all models
- Adjustable ABS bullet feet
- Faucets sold separately

MODELS:
MRSA-1-N



Model	Ga.	Bowl Size	Length	Depth	Height	Leg	Net Weight (lbs)
MRSA-1-N	18	18 x 18 x 12	24	24	44 1/2	21 1/2	30

### PLAN VIEW



90 DAYS WARRANTY ON WORKMANSHIP

