



ATOSA USA, INC.

***“WE MAKE THE KITCHEN BETTER!”***

Toll Free: 855-855-0399 Email: [info@atosausa.com](mailto:info@atosausa.com)

[www.atosa.com](http://www.atosa.com) / [www.atosausa.com](http://www.atosausa.com)

California, Colorado, Florida, Georgia, Illinois, Massachusetts, New Jersey, Ohio, Texas, Washington

# Undercounter Refrigerators

## Standard Features:

- Stainless Steel Exterior & Interior with reinforced stainless steel top.
- Environmentally friendly R290 refrigerant
- Dixell digital controller
- Maintains Temperatures between 33°F -40°F degrees.
- Recessed door handle (s)
- Self-closing door (s) with stay open feature
- Magnetic Door Gasket(s) standard for positive door seal
- Pre-installed castors
- One (1) pre-installed shelf per section

For the best results of food preservation we recommend setting your refrigerator between 33 °F - 38 °F

1. Don't forget to leave the unit some room to breathe!
2. Please clean the condenser frequently to give the unit more fresh air.



2 YEAR PARTS AND LABOR WARRANTY (US ONLY)  
5 YEAR COMPRESSOR PART WARRANTY (US ONLY)

## MODELS:

MGF8401GR / MGF8402GR  
MGF8403GR / MGF8404GR



**MGF8401GR**



**MGF8402GR**



**MGF8403GR**



**MGF8404GR**





ATOSA USA, INC.

**"WE MAKE THE KITCHEN BETTER!"**

Toll Free: 855-855-0399 Email: [info@atosausa.com](mailto:info@atosausa.com)

[www.atosa.com](http://www.atosa.com) | [www.atosausa.com](http://www.atosausa.com)

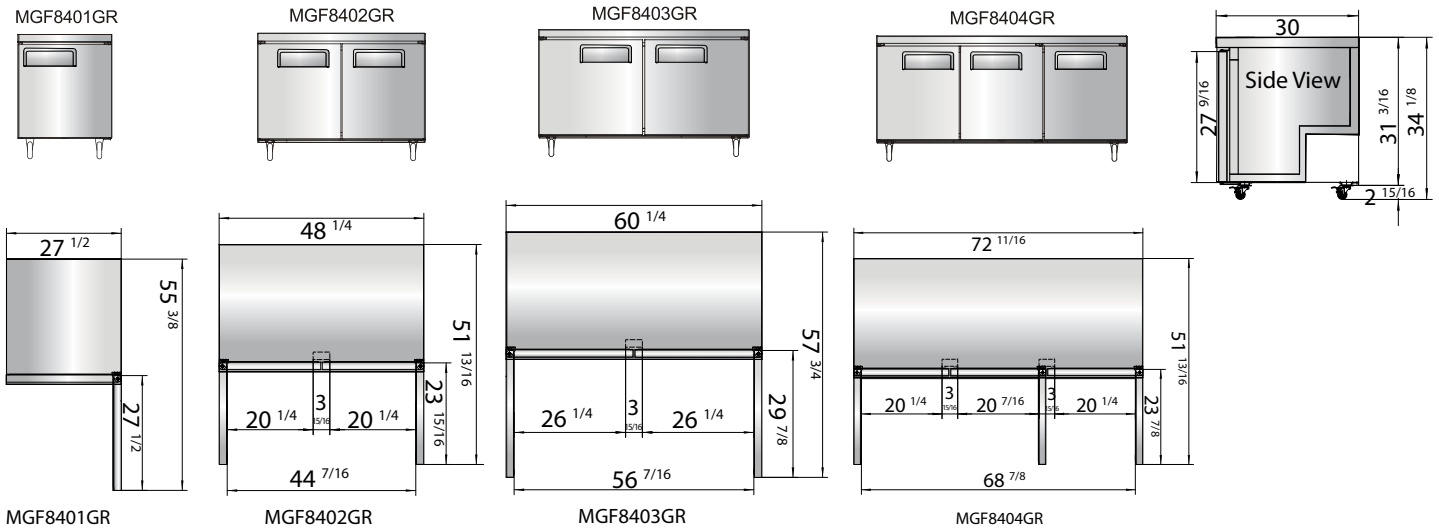
California, Colorado, Florida, Georgia, Illinois,

Massachusetts, New Jersey, Ohio, Texas, Washington

## SPECIFICATIONS

Model	Doors	Cu. Ft	Shelves	Exterior Dimension	Packaging Dimension	Castors	Gross Weight	HP	Voltage	Amps	Refrigerant
MGF8401GR	1	7.15	1	27 <sup>9/16</sup> x 30 x 34 <sup>1/8</sup>	30.31x33.66x38.19	2.5 in.	171 lbs	1/7	115/60/1	2.3	R290
MGF8402GR	2	13.38	2	48 <sup>1/4</sup> x 30 x 34 <sup>1/8</sup>	51.18x33.66x38.19	2.5 in.	231 lbs	1/7	115/60/1	2.3	R290
MGF8403GR	2	17.2	2	60 <sup>1/4</sup> x 30 x 34 <sup>1/8</sup>	62.99x33.66x38.19	2.5 in.	264 lbs	1/5	115/60/1	2.8	R290
MGF8404GR	3	21.13	3	72 <sup>11/16</sup> x 30 x 34 <sup>1/8</sup>	75.43x33.66x38.19	2.5 in.	315 lbs	1/5	115/60/1	2.8	R290

## PLAN VIEW



Castors

Epoxy Shelves

Rear Grate

Temperature Control



NEMA 5-15P



NEMA 15A/125V



2 YEAR PARTS AND LABOR WARRANTY (US ONLY)  
5 YEAR COMPRESSOR PART WARRANTY (US ONLY)

Atosa International  
[www.atosa.com](http://www.atosa.com)

Atosa USA  
[www.atosausa.com](http://www.atosausa.com)

