



ATOSA USA, INC.

**“WE MAKE THE KITCHEN BETTER!”**

Toll Free: 855-855-0399 Email: [info@atosausa.com](mailto:info@atosausa.com)

[www.atosa.com](http://www.atosa.com) | [www.atosausa.com](http://www.atosausa.com)

California, Colorado, Florida, Georgia, Illinois, Massachusetts, New Jersey, Ohio, Texas, Washington

<b>MODELS:</b>
MCF8725GR

# Black Exterior Glass Door Refrigerator Merchandiser

## Standard Features:

- Black Steel Exterior with Stainless Steel interior
- Lighted header panel
- LED interior lighting standard
- Dixell electronic controller
- Four shelves standard per section
- Double Pane glass door
- Self-closing door(s) with automatic stay open feature
- Recessed door handle
- Door lock(s) standard
- Magnetic door gasket
- Self-contained bottom mount refrigeration system with environmentally friendly R290 refrigerant
- Pre-installed castors
- Pre-installed shelves
- NEMA-5-15P plug standard

## Optional Features:

- Extra Shelves – includes 4 shelf clips per shelf

MCF8725GR



For the best results of food preservation we recommend setting your refrigerator between 33 °F - 38 °F

1. Don't forget to leave the unit some room to breathe!
2. Please clean the condenser frequently to give the unit more fresh air.



2 YEAR PARTS AND LABOR WARRANTY (US ONLY)  
5 YEAR COMPRESSOR PART WARRANTY (US ONLY)





ATOSA USA, INC.

**“WE MAKE THE KITCHEN BETTER!”**

Toll Free: 855-855-0399 Email: [info@atosausa.com](mailto:info@atosausa.com)

[www.atosa.com](http://www.atosa.com) | [www.atosausa.com](http://www.atosausa.com)

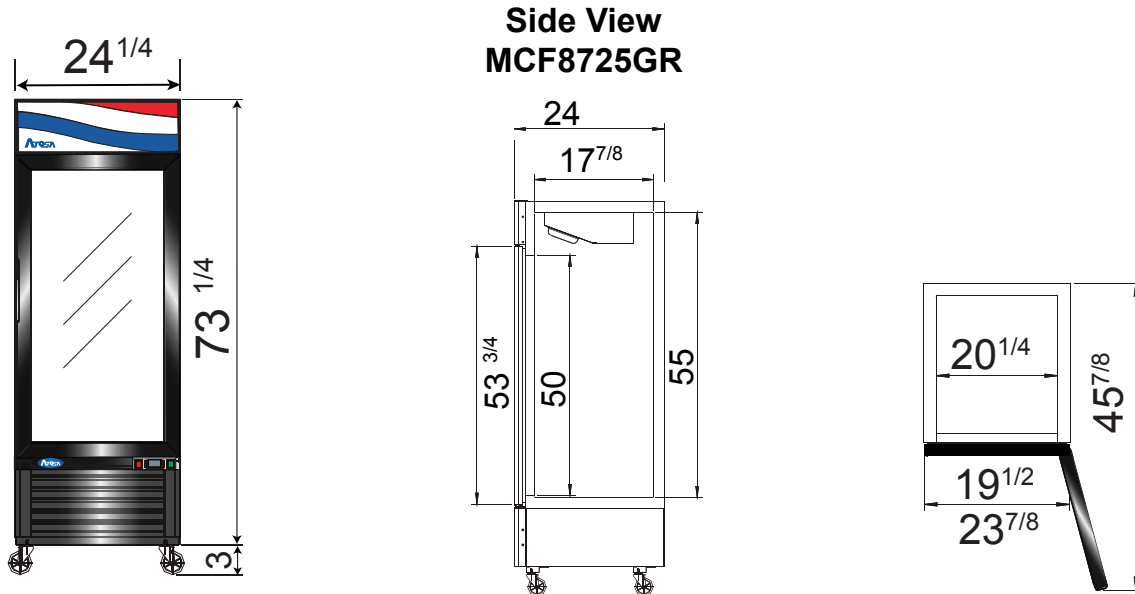
California, Colorado, Florida, Georgia, Illinois,

Massachusetts, New Jersey, Ohio, Texas, Washington

## SPECIFICATIONS

Model	Doors	Cu.Ft	Shelves	Exterior Dimensions (WxDxH)	Castors	Weight (LBS)	HP	Voltage	Amps	Refrigerant
MBF8725GR	1	11.1	4	24 <sup>1/4</sup> X 24 X 76 <sup>1/4</sup>	3 inch	251 lbs	1/7	115/60/1	2.1	R290

## PLAN VIEW



Castors

Temperature Control

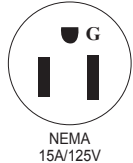
Door Lock

LED Lights

Epoxy Shelves



NEMA 5-15P



2 YEAR PARTS AND LABOR WARRANTY (US ONLY)

5 YEAR COMPRESSOR PART WARRANTY (US ONLY)

Atosa International  
[www.atosa.com](http://www.atosa.com)



Atosa USA  
[www.atosausa.com](http://www.atosausa.com)