

Project \_\_\_\_\_  
 Item \_\_\_\_\_  
 Quantity \_\_\_\_\_  
 FCSI Section 11400 \_\_\_\_\_  
 Approved \_\_\_\_\_  
 Date \_\_\_\_\_

## LEG TYPE, GAS-FIRED KETTLES

TILTING, 2/3 STEAM JACKETED "SPASH PROOF SERIES"  
 25 GALLONS (100 LITERS)

### Models

- KGL-25-T



Shown with optional Spring Assisted Cover and 2" Tangent Draw-Off Valve

### Standard Features

- Self-contained gas tilting kettle is easily installed, only needs a gas connection and a 115 volt outlet.
- Precise, consistent temperature control, less than 1°C temperature variance (ideal for simmering). Operating temperature range from 145°F-260°F (63°C-127°C).
- "Splash-Proof" Solid-State Control Panel for temperature, Low Water Safety, and Power "On/Off" Switch. Accurate L.E.D. Indicators for Heat Cycle and Low Water Warning.
- Kettle and all exterior surfaces are a 304 Stainless Steel with a #4 finish.
- Energy efficient (65%), high performance gas-fired heating system for fast heat-up and recovery time:
- Twenty-five gallon model with 90,000 BTU firing rate and 58,500 BTU directly applied to the product.
- Supplied with Gas Pressure Regulator.
- Standard for natural gas operation.
- Large pouring lip for easier, faster, pouring. Heavy-duty Rolled Rim design provides strong reinforcement, prevents damages from abuse.
- "Splash-Proof" rear-mounted pressure/vacuum gauge.
- Steam jacket permanently filled with treated distilled water; venting and/or refilling is not required.
- 50 psi Steam Jacket Rating. Safety Valve mounted toward rear of kettle to avoid tampering.
- Automatic Electronic Spark Ignition System.
- Supplied with cord and plug for 115 volt controls.
- Tilt Mechanism of roller bearings and case hardened self-locking worm and segment gear.
- Support Legs with level adjustable feet, flanged for floor bolting.
- Typical approvals include AGA, CSA, CE, NSF and ASME.

### Short Form Specifications

Shall be CLEVELAND, Gas Kettle, self-contained, tilting, Model KGL-25-T; 25 gallons, natural or LP gas, 2/3 Steam Jacketed, Type 304 Stainless Steel and supports. Jacket rated at 50psi with Safety Valve. Complete with "Splash-Proof" Solid-State Water Level, Temperature, and Safety Low Water Power Cut-Off, including L.E.D. Indicators for Heat Cycle and Low Water Warning.

### Options & Accessories

- 316 Stainless Steel Liner (316)
- Propane Gas Option (LP)
- Kettle Markings (KM)
- Spring Assist Cover (CHS)
- Lift Off Cover (CL)
- Basket Strainer (BS and TBS)
- Measuring Strip (MS)
- Food Strainer (FS)
- Hot and cold water faucet (DPK), or cold water (SPK). Requires faucet bracket (FBKT)
- 2" Tangent Draw-Off Valve (TD2)
- Kettle Accessory Kit (KAK) includes:
  - Clean-up Brush (CB)
  - 36" Kettle Paddle (KP)
  - 36" Kettle Whip (KW)
  - 36" Kettle Brush
  - Draw-Off Brush (DB)
  - 24 oz. Ladle (KL)
- Correctional Packages

KE004046-70

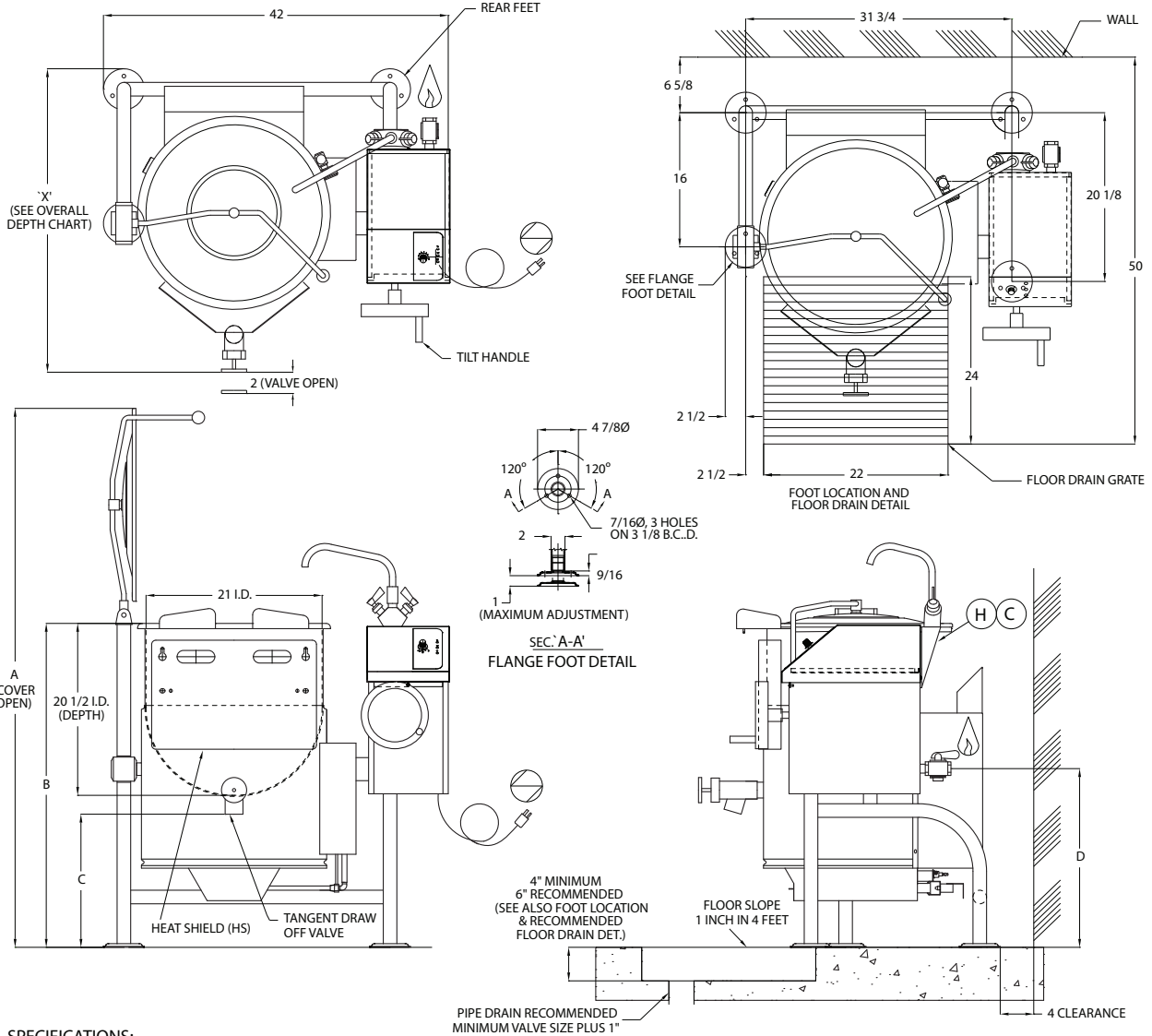
| VALVE   | A  | B      | C      | D      |
|---------|----|--------|--------|--------|
| WITHOUT | 65 | 38 5/8 | 32 1/2 | 21 3/8 |
| TDV-2   | 65 | 38 5/8 | 15     | 21 3/8 |
| TDV-3   | 69 | 42 5/8 | 18 1/2 | 25 3/8 |

UNIT SHOWN WITH OPTIONAL TDV-2 OR 3, SPRING ASSIST COVER AND DOUBLE PANTRY FAUCET.  
ALL DIMENSIONS ARE SHOWN IN INCHES.

| OVERALL DEPTH DESCRIPTION                    | DIM 'X' |
|--|---------|
| KETTLE WITH TDV-2                            | 37      |
| KETTLE WITHOUT TDV-2 TILT HANDLE ON          | 32 1/2  |
| FOR PASSING THROUGH NARROW DOORS             |         |
| * KETTLE WITH TDV-2 STEM & REAR FEET REMOVED | 32 1/2  |
| * KETTLE WITHOUT TDV-2                       | 31 1/2  |
| * KETTLE WITHOUT TDV-2 & REAR FEET REMOVED   | 30      |

| OVERALL DEPTH DESCRIPTION                    | DIM 'X' |
|--|---------|
| KETTLE WITH TDV-3                            | 41      |
| KETTLE WITHOUT TDV-3 TILT HANDLE ON          | 32 1/2  |
| FOR PASSING THROUGH NARROW DOORS             |         |
| * KETTLE WITH TDV-3 STEM & REAR FEET REMOVED | 37 1/2  |
| * KETTLE WITHOUT TDV-3                       | 31 1/2  |
| * KETTLE WITHOUT TDV-3 & REAR FEET REMOVED   | 30      |

\* TILT HANDLE REMOVED



**SPECIFICATIONS:**

| MODEL    | ELECTRICAL SUPPLY: |       |      |      | GAS SUPPLY: (PIPING 3/4 NPT) |            |              |                 | APPROVALS       |     |     |         | CLEARANCE: | SHIPPING WEIGHT | COLD WATER: (C) COLD WATER: (H) HOT WATER:        |                 |                |                |
|----------|--------------------|-------|------|------|------------------------------|------------|--------------|-----------------|-----------------|-----|-----|---------|------------|-----------------|---|-----------------|----------------|----------------|
|          | VOLTS              | PHASE | AMPS | FREQ | TYPE                         | BTU RATING | WATER COLUMN | BTU PER CU. FT. | SUPPLY PRESSURE | AGA | CGA | CE MARK |            |                 | NSF   | RIGHT: 0 inches | LEFT: 0 inches | REAR: 4 inches |
| KGL-25-T | 120                | 1     | 5    | 60   | NAT                          | 90,000     | 4.2          | 1000            | 4" TO 14" W.C.  | ✓   | ✓   |         | ✓          | 320 LBS.        | ALLOW 12" SPACE MINIMUM ON RIGHT SIDE FOR SERVICE |                 |                |                |
|          | 120                | 1     | 5    | 60   | LP                           | 90,000     | 10           | 2500            | 4" TO 14" W.C.  | ✓   | ✓   |         | ✓          |                 |   |                 |                |                |
|          | 220                | 1     | 3    | 60   | NAT                          | 90,000     | 4.2          | 1000            | 4" TO 14" W.C.  |     |     |         | ✓          |                 |   |                 |                |                |
|          | 220                | 1     | 3    | 60   | LP                           | 90,000     | 10           | 2500            | 4" TO 14" W.C.  |     |     |         | ✓          |                 |   |                 |                |                |

• CAPACITIES: (in 4 oz. servings, other sizes may be calculated)  
25 gallons / 100 liters .... 426 servings

**NOTES:**  
Cleveland Range reserves right of design improvement or modification, as warranted.  
Many regional, state and local codes exist and it is the responsibility of the owner and installer to comply with the codes.  
Cleveland Range equipment is built to comply with applicable standards for manufacturers. Included among those approval agencies are U.L./NSF#4 and CSA (AGA, CGA).

(NOT TO SCALE)

Gas Kettles