

Project \_\_\_\_\_  
 Item \_\_\_\_\_  
 Quantity \_\_\_\_\_  
 FCSI Section 11400 \_\_\_\_\_  
 Approved \_\_\_\_\_  
 Date \_\_\_\_\_

## TRI-LEG, ELECTRIC KETTLES

STATIONARY, "SPASH PROOF SERIES", SELF-CONTAINED, 2/3 STEAM JACKETED, 25, 40, 60, 80 OR 100 GALLONS (100, 150, 225, 300, OR 375 LITERS)

### Models

- KEL-25
- KEL-30
- KEL-40
- KEL-60
- KEL-80
- KEL-100



- Water resistant controls, splash-proof construction
- Large pouring lip for high capacity and chunky products
- Re-inforced rolled rim design prevents damage to kettle rim, eliminates "bar rim designs"
- Welded-in heating elements, (holds vacuum better, won't leak or lose water)
- Easily cleaned: kettle and all exterior surfaces are of type 304 stainless steel with an #4 finish
- Rear mounted easy access pressure gauge and pressure relief valve to prevent tampering. Color coded easy to read pressure gauge with "green" and "vent air zone"
- 50 psi steam jacket rating for higher cooking temperatures
- 50 psi safety valve
- Solid state water level control (no sight glass gauge to break or leak)
- Splash proof element cover with a double gasket seal
- Tilt mechanism of roller bearings and case hardened self-locking worm and segment gear
- 1 5/8" O.D. tri-leg supports with level adjustable feet for floor bolting
- Standard voltage is 208-240 volts, 60 Hz, 3-phase, 3-wire
- Typical approvals include UL, CSA, CE, NSF and ASME

### Short Form Specifications

Shall be CLEVELAND, Electric Kettle, Tri-leg mounted, self-contained, stationary, Model KEL - \_\_\_\_\_ gallons, 2/3 Steam Jacketed. Type 304 Stainless Steel Kettle and Supports. Rated 50 psi with Safety Valve; Permanently filled Steam Jacket. Spring-assisted Domed Cover. (Provide 1.50" Freeboard above batches of rated size.) Splash Proof Solid State Temperature ( $\pm 1^\circ\text{C}$ ) and Safety Control System in plug-in Module including L.E.D. indicators. Base Mounted for Floor Bolting with three (3), tri-bolt flanges. 2" diameter Tangent Draw-off Valve.

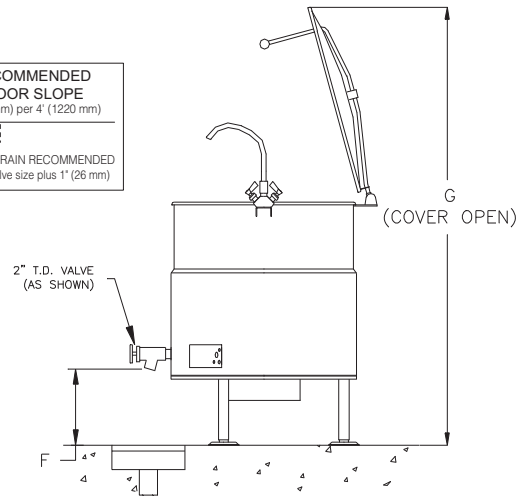
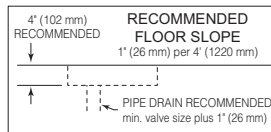
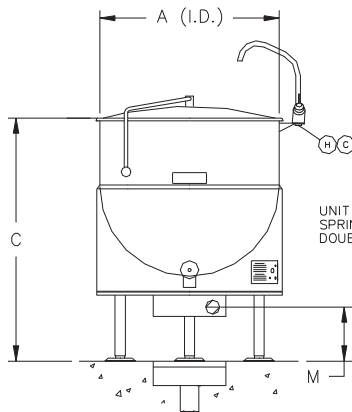
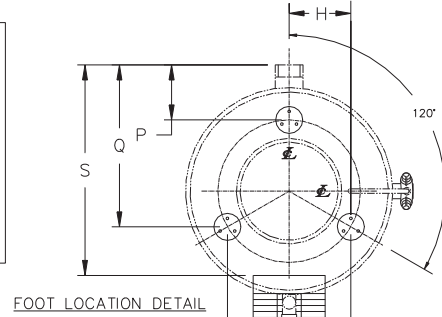
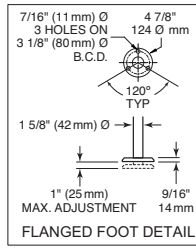
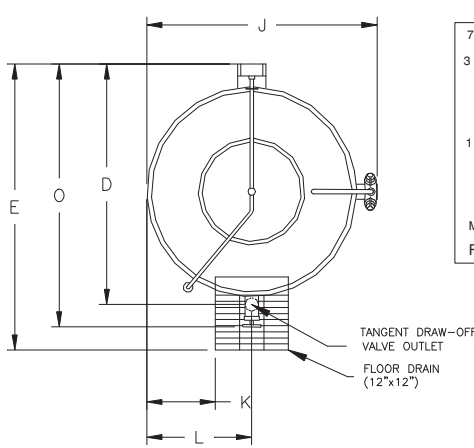
### Standard Features

- Self-contained, easily installed - needs only an electrical hook-up
- Steam jacket filled with treated water, venting and/or refilling is not required
- Accurate, consistent solid state temperature controls (mechanical thermostat not as accurate) - less than  $\pm 1^\circ\text{C}$  variance (ideal for simmering). Operating temperature range from 145° - 260°F (63°C - 127°C)  
Control panel includes:
- LED indicator for heat cycle • LED indicator for low water
- Power ON/OFF switch • Adjustable temperature control dial

### Options & Accessories

- Spring-assisted, hinged, rotatable, domed Stainless Steel Cover (CHS)
- 2" or 3" diameter Tangent Draw-Off Valve (TD2 or TD3\*), \*TD3 for 60 gallon only and will raise height of kettle by 5-5/8" (143mm)
- Hot and Cold Water Faucet with Swing Spout and Mounting Bracket (DPK and FBKT)
- Type 316 Stainless Steel Kettle Liner for high acid food products (316)
- Pan Carrier (PCK)
- Flow Diverter (FD)
- Food Strainers (FS)
- Cooking Baskets and Tri-Basket Supports (BS and TBS)
- Kettle Accessory Kit (KAK) includes:
  - Clean-up Brush (CB)
  - 36" Kettle Paddle (KP)
  - 36" Kettle Whip (KW)
  - 36" Kettle Brush
  - Draw-Off Brush (DB)
  - 24 oz. Ladle (KL)
- Automatic Water Meter (GMF or LMF)
- Drain Strainers (DS-)
- Water Meter Stand (SWM)
- Lift-Off Covers (CL)
- Measuring Strip (MS)
- Gallon Markings (KM)
- Hot and cold or cold only Kettle Filler with 60" Hose (DKF-K or SKF-K)
- Swing Funnels for drain (SW)
- Alternate Mounting Systems
- High Wattage (HW) (see back page)
- Special Voltages (see back page)
- Heat Deflector Shield (HS001)
- Correctional Packages

KE004046-60



### DIMENSIONS

GALS./LITERS		A	C	D	E	F	G	H	J	K	L	M	N	O	P	Q	R	S
25/100	IN/mm	21/534	36 3/4/934	21 7/8/556	34/864	13 7/8/353	60 3/4/1544	17 7/8/455	29 7/8/759	5 1/4/134	11 1/4/286	9 3/4/248	7 1/2/191	26 3/4/680	4 5/8/118	20/508	15 1/2/394	22 3/8/569
30/115	IN/mm	24/610	38/966	24 7/8/632	37/940	15 5/8/397	65 1/4/1658	20 7/8/531	28 3/4/731	6 3/4/172	12 3/4/324	11 1/2/299	9 1/4/293	29 3/4/756	4 5/8/118	20 1/4/515	18 1/8/461	25 3/8/645
40/150	IN/mm	26/661	40/1016	29 1/8/740	40/1016	15 1/8/385	69 1/2/1766	22 7/8/582	30 3/4/782	7 3/4/197	13 3/4/350	11/280	8 3/4/223	34/864	4 5/8/118	21 3/4/553	19 7/8/505	28 5/8/728
60/225	IN/mm	29 1/2/750	43/1093	33/839	44/1118	14 5/8/372	75 3/4/1925	26 3/8/870	34 1/4/870	9 1/2/242	15 1/2/394	10 1/2/267	8 1/4/210	37 7/8/963	5 1/8/131	27 1/2/699	22 7/8/582	32 1/2/826
80/300	IN/mm	33/839	43 1/2/1105	36 5/8/931	47/1194	13/331	79 1/2/2020	29 7/8/759	37 3/4/959	11 1/4/286	17 1/4/439	9/229	6 3/4/172	41 1/2/1055	5 1/8/131	29 3/8/747	25 7/8/658	35 7/8/912
100/375	IN/mm	35 1/2/902	45/1144	39 1/4/997	50/1270	12 1/2/318	83 3/8/2118	32 3/8/823	40 1/4/1023	12 1/2/318	18 1/2/470	8 1/2/216	6 1/4/159	44 1/8/1121	5 1/8/131	5 1/8/131	28/712	38 3/8/975

### STANDARD WATTAGE

GALS. LITERS	208V			240V			415V			480V			
	KW	1PH	3PH	KW	1PH	3PH	KW	1PH	3PH	KW	1PH	3PH	
25	9.8	47.2	27.2	13.1	54.4	31.4	12.1	29.0	16.7	13.1	27.2	15.7	
30	11.5	12.3	59.0	34.1	16.3	68.1	39.3	15.1	36.2	20.9	16.3	34.0	19.6
40	15.0	14.7	70.8	40.9	19.6	81.7	47.1	18.1	43.5	25.1	19.6	40.8	23.6
60	22.5	14.7	70.8	40.9	19.6	81.7	47.1	18.1	43.5	25.1	19.6	40.8	23.6
80	30.0	14.7	70.8	40.9	19.6	81.7	47.1	18.1	43.5	25.1	19.6	40.8	23.6
100	37.5	14.7	70.8	40.9	19.6	81.7	47.1	18.1	43.5	25.1	19.6	40.8	23.6

### HIGH WATTAGE

GALS. LITERS	208V			240V			415V			480V			
	KW	1PH	3PH	KW	1PH	3PH	KW	1PH	3PH	KW	1PH	3PH	
25	100	14.7	70.8	40.9	19.6	81.7	47.1	18.1	43.5	25.1	19.6	40.8	23.6
30	115	19.6	NA	54.5	26.1	NA	62.9	24.1	58.0	33.5	26.1	54.4	31.4
40	150	24.5	NA	68.1	32.7	NA	76.6	30.1	72.5	41.8	32.7	68.1	39.3
60	225	29.4	NA	81.7	39.2	NA	94.3	36.2	87.0	50.2	39.2	81.7	47.1
80	300	29.4	NA	81.7	39.2	NA	94.3	36.2	87.0	50.2	39.2	81.7	47.1
100	375	29.4	NA	81.7	39.2	NA	94.3	36.2	87.0	50.2	39.2	81.7	47.1

Consult factory for other voltages.

### NOTES:

Cleveland Range reserves right of design improvement or modification, as warranted.  
 Many regional, state and local codes exist and it is the responsibility of the owner and installer to comply with the codes.  
 Cleveland Range equipment is built to comply with applicable standards for manufacturers. Included among those approval agencies are U.L./NSF#4 and CSA (AGA, CGA).

**CAPACITIES:**  
 (in 8 oz. servings, other sizes may be calculated)  
 25 Gallon / 100 liters .....400 servings  
 30 Gallon / 110 liters .....480 servings  
 40 Gallon / 150 liters .....640 servings  
 60 Gallon / 225 liters .....960 servings  
 80 Gallon / 300 liters .....1280 servings  
 100 Gallon / 375 liters .....1600 servings

### Shipping Weights & Dimensions

Model	Weight	Width	Depth	Height
KEL-25	240 lbs	38"	38"	54"
KEL-30	283 lbs	38"	38"	54"
KEL-40	296 lbs	38"	38"	55"
KEL-60	280 lbs	44"	44"	54"
KEL-80	411 lbs	44"	44"	54"
KEL-100	461 lbs	44"	44"	54"

**WATER**   
 3/4" O.D. copper tube or  
 1/2" N.P.T. pipe.  
 When ordered with  
 optional faucet.

**CLEARANCE**  
 RIGHT = 0  
 LEFT = 0  
 REAR = 0  
 Allow 12" minimum on  
 right side for servicing.

(NOT TO SCALE)