

Item No.

## Consistent Pasta, Batch After Batch, With The Anets Pasta Pro

Use the Pasta Pro to batch cook, cook to order, or reheat pasta or any product cooked in water. Precise controls regulate the boil for perfectly cooked product. Unique "Power Burst" feature controls the BTU input at the flip of a switch. Rapid boil or quick reheat with the full 160,000 BTU input or reduce to 80,000 BTU to maintain a gentle simmer or re-heat temperature. Control cook times with optional built in timers or automatic basket lifts. Add a rinse station and faucet for a complete pasta station.

### STANDARD FEATURES

- Cook pot and burner tubes are special marine grade stainless steel specifically for water applications
- "Power Burst" feature allows operator to control the BTU input, providing energy saving input or quick reheat when necessary
- Built-in manual water-fill enables the operator to adjust water input for continuous refill. Manual water control eliminates the need for complicated floats and costly components
- Tube type design assures maximum heat input across the 18" cooking area
- Overflow area safeguards against accidental overflow
- Skimming area provides a place to continuously remove starch build up
- Front drain tray



**GPC-18 adjustable continuous water fill, rinse station, hot and cold faucet, split bulk baskets and casters.**



ANETS INC PO BOX 501, CONCORD, NH 03302-0501  
552-553 ROUTE 3A, BOW, NH 03304 TEL: 603-225-6684, FAX:603-225-8497  
L10-521 R7 www.anets.com

We reserve the right to change specifications without notice and without incurring any Obligation for equipment previously or subsequently sold.

## SPECIFICATIONS

- Model  
GPC-18, Basic  
GPC-18AA, Fully automatic twin lifts  
CSA, NSF, ETL  
Min. 80,000/Max. 160,000
- Certification  
CSA, NSF, ETL
- BTUH  
Min. 80,000/Max. 160,000
- Gas Pressure  
NG 3.5" WC, LP 10" WC
- Gas Connection  
3/4" NPT
- Electrical Requirements  
GPC-18 120V, 60Hz, 1PH, 2 Amps  
GPC-18AA 120V, 60Hz, 1PH, 5 Amps
- Thermostat  
Solid state
- Temperature Range  
140°F to 212°F (60°C-100°C)
- Burners  
Atmospheric pre-mix
- Hi-Limit  
Safety control turns off main gas supply.
- Safety Pilot  
100% gas shut off valve
- Pulse Ignitor  
Battery Powered Ignitor
- Cookpot  
Marine grade stainless steel
- Cabinet  
Stainless steel
- Water Capacity  
16.5 gallons
- Water Drain Elbow  
1-1/4" NPT Female Threads

## STANDARD ACCESSORIES

- Rack type basket support
- Front drain tray
- 6" Adjustable chrome plated legs

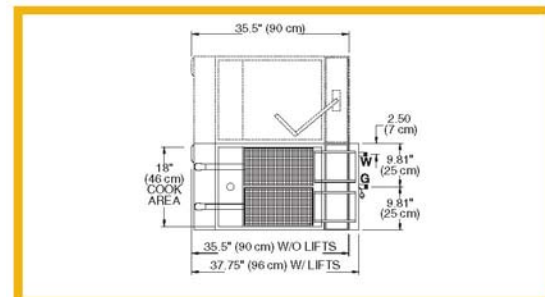
## OPTIONS AND ACCESSORIES

- Adjoining rinse station (RSF18)
- Hot and cold water faucets
- Fully automatic twin lifts
- 15 minute timers with buzzers
- Digital Thermostat 145°F to 205°F (63°C-96°C)
- Batch and single portion baskets
- 6" Casters

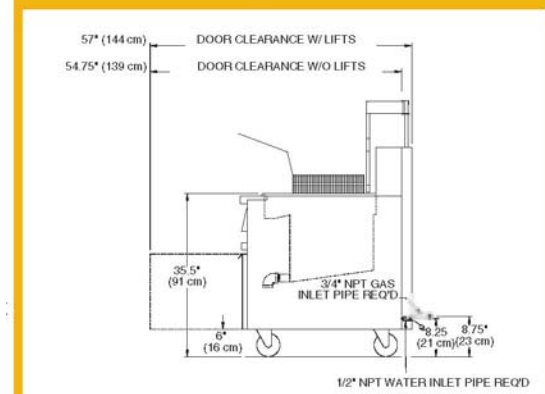
**NOTE: Baskets must be ordered separately**

## BASKETS

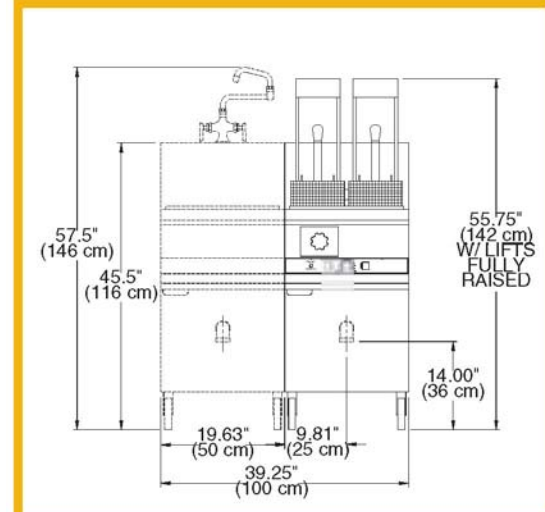
- Bulk
- Split bulk (Twin)
- 5 3/4" Round
- Portion rack with (9) 10oz plastic portion cups



Top View



Side View



Front View

**Note: Diagrams include optional rinse station with faucet (RSF18).**

**Warranty: 1 year Parts and Labor,  
5 years Frypot Part only.**