

| | |
|--------------|-------------------|
| Product Line | BOWL ICERS |
| Model | H&I-2, H&I-4 |

VIDEO: <https://vimeo.com/belshaw/icers>

Belshaw's H & I ("Heat and Ice") Bowl Icers are designed and constructed for convenience, durability and reliability, even after years of use in tough operating conditions. The H & I method provides gentle, uniformly applied heat to the bottom portion of each icing bowl from a large tank full of warmed water. The use of warm water heat allows icing to remain in condition for long periods.

- H&I-2 is a two-bowl icer
- H&I-4 is a four bowl icer, allowing more flexibility in switching between four or more icing flavors

STANDARD FEATURES

- Stainless steel construction
- 13" (33cm) diameter stainless steel bowls with aluminum lids
- Each bowl holds approximately 7 lbs (equivalent to 8 quarts) of icing (3.2 kg, 7.6 liter)
- Large water tank
- H&I-2: water capacity approximately 15 Gallons (57 Liters)
- H&I-4: water capacity approximately 28.5 Gallons (108 Liters)
- Water heat controlled by thermostat (maximum temperature approximately 130°F (55°C))
- 4 heavy duty castor wheels (2 lockable)
- Manual thermometer
- Drain and valve for emptying water
- ETL, NSF listed

CERTIFICATIONS



- Standard North America models are certified by ETL to UL-197, and by NSF to NSF-4
- CE models available for European Union and other countries

ACCESSORIES

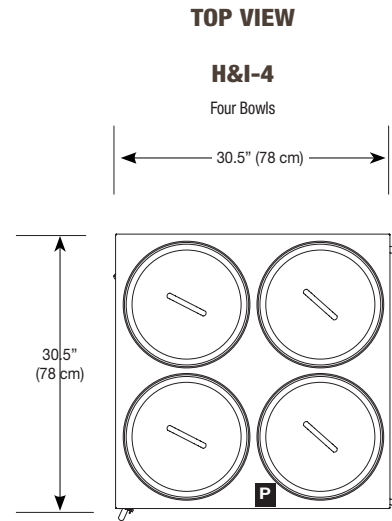
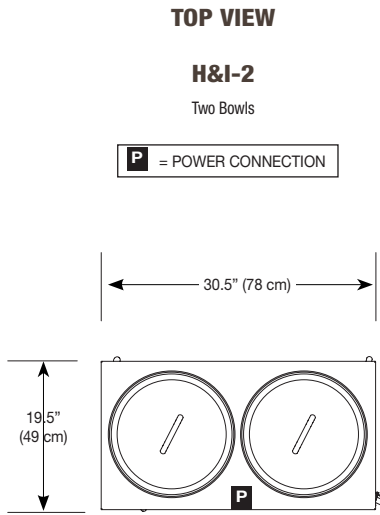
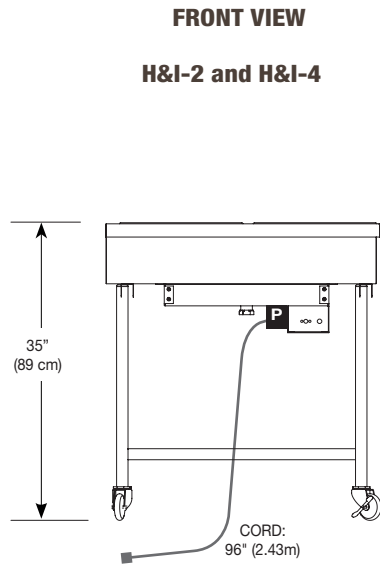
- Extra bowls and lids are available.



H&I-2 Bowl Icer



H&I-4 Bowl Icer



ELECTRICAL DATA

Specify voltage at time of order. Data applies to both H&I-2 and H&I-4

| | | |
|---------------------------|--------------------|-------------------|
| 120V, 50/60hz, 1ph | amps | 15 A |
| | kilowatts | 1.8 KW |
| 240V, 50/60hz, 1ph | amps | 7.5 A |
| | kilowatts | 1.8 KW |
| PLUG | 120V | NEMA 5-15P |
| | 240V N.America | NEMA 6-15P |
| | 240V International | Not supplied |
| CORD | length | 96 inches (2.5 m) |

SHIPPING DIMENSIONS

(Approximate, shipped in carton or on pallet)

| | | H&I-2 | H&I-4 |
|--|--------|------------------|------------------|
| SHIPPING DIMENSIONS <i>(Approximate, shipped in carton on pallet or crate)</i> | inches | 31" x 20" x 37" | 31" x 31" x 37" |
| | cm | 79 x 51 x 94 cm | 79 x 79 x 94 cm |
| | lbs | 80 lbs | 91 lbs |
| | kg | 37 kg | 42 kg |
| FREIGHT CLASS | | 100 | 100 |

90 Years of Quality Donut & Bakery Equipment

www.belshaw.com