



*The Signature of Quality*

### FEDERAL INDUSTRIES

A Standex Company  
215 Federal Avenue  
Belleville, WI 53508-9201

Phone: 800-356-4206  
Fax: 608-424-3234  
Email: geninfo@federalind.com  
Website: www.federalind.com

Project Name: \_\_\_\_\_

Item #: \_\_\_\_\_

Model #: \_\_\_\_\_ Qty: \_\_\_\_\_

Approval: \_\_\_\_\_

AIA#

SIS#

## SERIES '90 HOT DELI CASE

Series '90. The ultimate merchandiser with advanced styling for maximum visual appeal. Designed for continuous case line-ups.

MODEL	DIMENSIONS ( Includes End Panels )
<input type="checkbox"/> <b>SN4HD</b>	48.25 x 37.75 x 48.50 (in) 1226 x 959 x 1232 (mm)
<input type="checkbox"/> <b>SN6HD</b>	77.25 x 37.75 x 48.50 (in) 1962 x 959 x 1232 (mm)



### STANDARD FEATURES

#### Model Features

- Designed for wet or dry heat.
- Lift-up pneumatic, cylinder-assisted, double-curve tempered front glass.
- Adjustable Leg Levelers
- Removable sliding rear glass doors with moisture vent panels. Doors are sloped for product access.
- All-welded base construction with a choice of six standard laminates on base. Other finishes optional.
- Double-bend tempered front glass reduces glare from outside lighting.
- Base trim: specify white, black, or stainless.
- End glass trim: specify white or black.
- Case height is only 48" high allowing better interaction between the customer and the sales clerk.
- Rear wrapping board.
- Appliance receptacle provided on the back of the case for a cash register, scale.
- Heating wells are one-piece stainless steel. Each well is heated with its own cal-rod heating element and is controlled by its own thermostat. Each well has a drain and valve and holds a full-size pan and a one-third pan.
- Top-mounted, full-length infrared heater provides uniform product temperature.
- Moisture vents on the rear doors and a forced air front glass defogger prevents excess moisture build-up.
- Interior – stainless steel.
- To fill the pans with water, a flexible fill hose is provided with a connecting 1/2" NPT water pipe fitting.

#### Lighting

- Incandescent lighting provides even product illumination.

#### Agency Approvals

- UL Safety and NSF Listed.

### OPTIONAL ACCESSORIES

- Special Base Finish
- Base Trim Specify White, Black, or Stainless
- End Glass Trim Specify White or Black
- Legs
- Cord and Plug (Six Foot)
- Front Package Shelf With or Without Light
- Mirrored Interior Ends With Laminated Exterior
- Reflective Rear Doors
- Front Glass and Rear Door Locks
- Top Service Shelf (Stainless Steel or Glass)
- Scale Stand



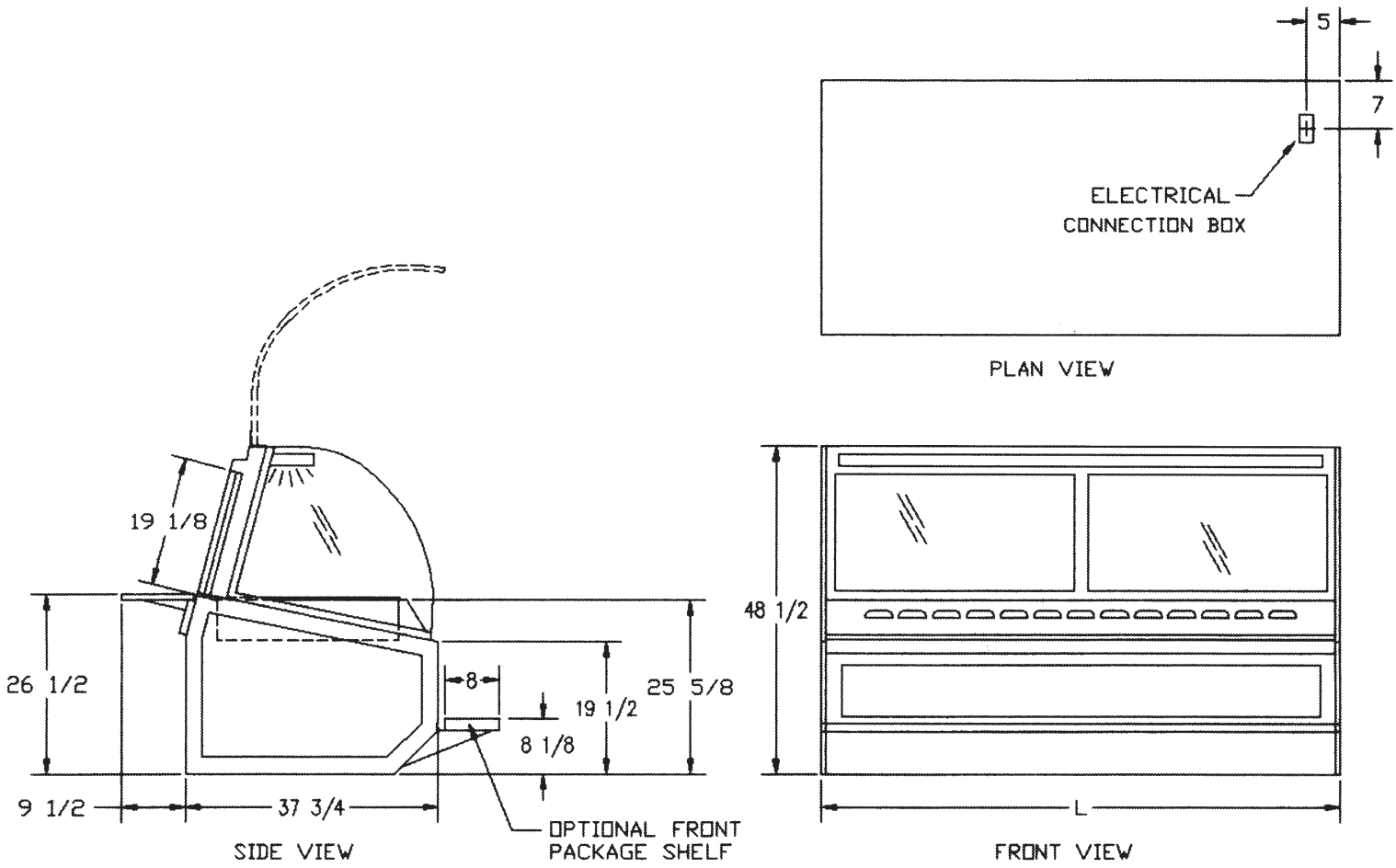
**WARRANTY\***  
One year Parts and Labor  
2nd thru 5th year part  
only service compressor  
(U.S.A and Canada)

Note: Information is subject to change at any time.  
Visit [www.federalind.com](http://www.federalind.com) for the most current specs.

Revised 02/18/2020

AIA#	<b>SERIES '90 HOT DELI CASE</b>
SIS#	<b>Product Specifications</b>

DIMENSION: xx"/(mm)  
 DIMENSION TOLERANCE +/- 0.19 (4.8)



MODEL	DIMENSIONS*				SHIPPING WHT		* AMPS 120/208-240/60/1 3-WIRE PLUS GROUND	DRAIN	** WELLS
	L	D	H1	UNITS	LBS	KILO			
SN4HD	48.25	37.75	48.5	in.	625	284	30	1" NPT	3
	1226	959	1232	mm.					
SN6HD	77.25	37.75	48.5	in.	685	311	45	1" NPT	5
	1962	959	1232	mm.					

\*Plus general purpose receptacle 120V, 15AMP.  
 \*\*Each well holds a full-size pan and a third. The SN-6HD center well holds a full-size pan only.  
 ■ Due to continuing engineering improvements, specifications are subject to change without notice.



**FEDERAL INDUSTRIES**  
 A Standex Company  
 215 Federal Avenue Belleville, Wisconsin 53508-9201

**Phone:** 800-356-4206  
**Fax:** 608-424-3234  
**Email:** Geninfo@Federalind.com  
**Website:** Federalind.com