



The Signature of Quality

FEDERAL INDUSTRIES

A Standex Company
215 Federal Avenue
Belleville, WI 53508-9201

Phone: 800-356-4206
Fax: 608-424-3234
Email: geninfo@federalind.com
Website: www.federalind.com

Project Name: _____

Item #: _____

Model #: _____ Qty: _____

Approval: _____

AIA#

SIS#

HIGH VOLUME HOT DELI CASE

Display more product and serve more customers with presentation and value in mind. Cases are available in lengths of 50", 59", and 77". Designed for continuous case line-ups without middle end glass.

MODEL	LENGTH (Includes End Panels)
<input type="checkbox"/> SG5048HD	50.13 x 35.31 x 48 (in) 1273 x 897 x 1219 (mm)
<input type="checkbox"/> SG5948HD	59.13 x 35.31 x 48 (in) 1502 x 897 x 1219 (mm)
<input type="checkbox"/> SG7748HD	77.13 x 35.31 x 48 (in) 1959 x 897 x 1219 (mm)



STANDARD FEATURES

Model Features

- Designed for wet or dry heat.
- Sloped tempered tilt-out front glass for easy cleaning.
- Tempered glass top, ends, and doors.
- Stainless steel deck.
- Steel base construction with a choice of six standard laminates on base. Other finishes optional.
- Removable sliding rear doors with moisture vents. The moisture vents and a forced air front-glass defogger prevent excess moisture buildup.
- Heating wells are one-piece stainless steel. Each well is heated with its own cal-rod heating element and is controlled by its own thermostat. Each well has a drain and valve.
- Top-mounted, full-length infrared heater provides uniform product temperature. Incandescent lighting provides even product illumination.
- Rear wrapping board.
- Each well holds a full-size pan.
- Black trim.
- Designed for continuous line-ups.

Lighting

- LED top light and shelf lights.

Agency Approvals

- UL Safety and UL Sanitation listed

OPTIONAL ACCESSORIES

- | | |
|--|--|
| <input type="checkbox"/> Special Base Finish | <input type="checkbox"/> Package Shelf |
| <input type="checkbox"/> Reflective Ends | <input type="checkbox"/> Light Below Package Shelf |
| <input type="checkbox"/> White Ends or Mirrored Interior
Ends with Laminated Exterior | <input type="checkbox"/> Front Glass and Rear Door |
| <input type="checkbox"/> Reflective Rear Doors | <input type="checkbox"/> Locks |
| <input type="checkbox"/> Legs | <input type="checkbox"/> Scale Platform |
| <input type="checkbox"/> Top Cutting Board, White | <input type="checkbox"/> Joining Kit for Continuous Line-ups |



WARRANTY*
One year Parts and Labor
2nd thru 5th year part
only service compressor
(U.S.A and Canada)



Note: Information is subject to change at any time.
Visit www.federalind.com for the most current specs.

AIA#

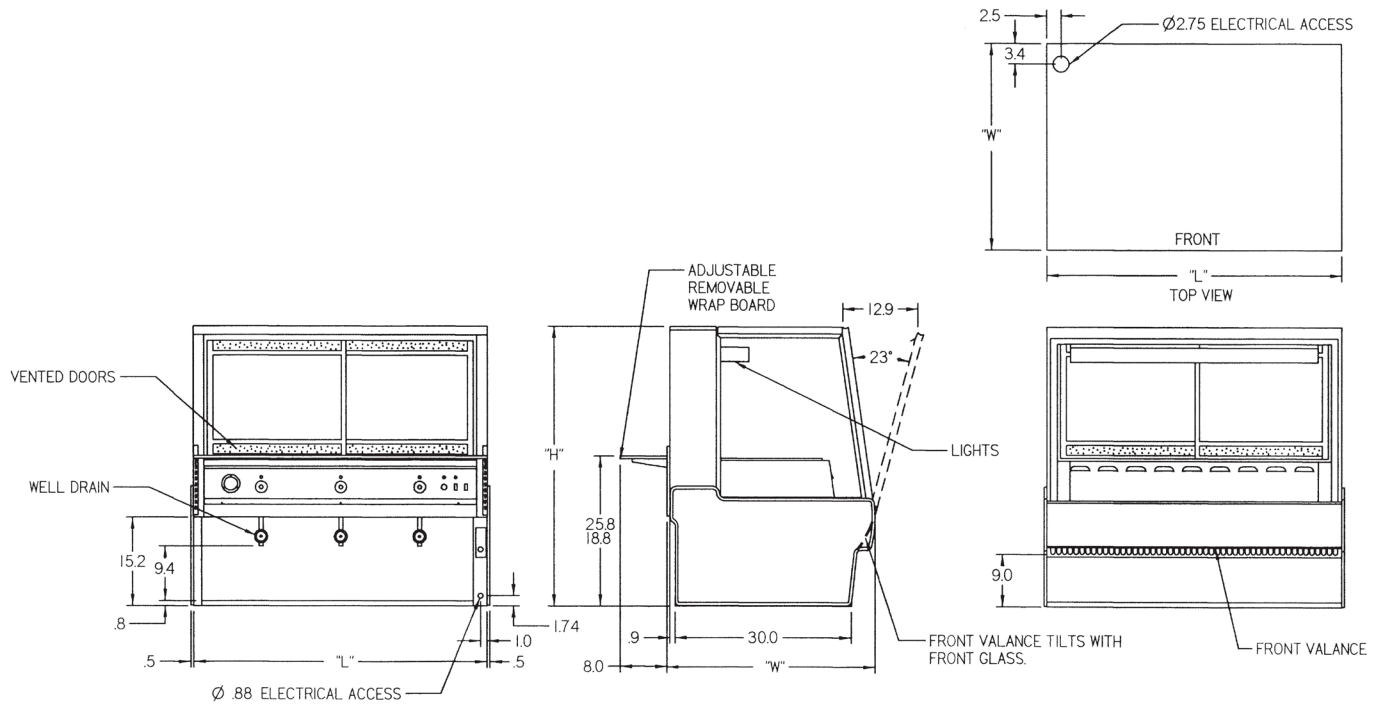
HIGH VOLUME HOT DELI CASE

SIS#

Product Specifications

DIMENSION: xx"/(mm)

DIMENSION TOLERANCE +/- 0.25 (6.4)



MODEL	DIMENSIONS				SHIPPING WHT		WELLS*	ELECTRICAL REQUIREMENTS 120/208 - 240/60/1 3-WIRE PLUS GROUND
	L	D	H1	UNITS	LBS	KILO		
SG5048HD	50.13	35.31	48	in.	535	243	3	19.6 AMPS
	1273	897	1219	mm.				
SG5948HD	59.13	35.31	48	in.	660	299	3	19.6 AMPS
	1502	897	1219	mm.				
SG7748HD	77.13	35.31	48	in.	800	363	5	32.3 AMPS
	1959	897	1219	mm.				

* Each well holds a full-size pan.

■ Due to continuing engineering improvements, specifications are subject to change without notice.



The Signature of Quality[®]

FEDERAL INDUSTRIES

A Standex Company

215 Federal Avenue, Belleville, WI 53508-9201

PHONE: 800-356-4206

E-MAIL: geninfo@federalind.com

FAX: 608-424-3234

WEBSITE: www.federalind.com