



HEARTHBAKE SERIES COUNTERTOP ELECTRIC OVENS

SERIES: BK18, P24S, & P24-BL



Bakers Pride® P24 series ovens feature one baking chamber with one deck in your choice of Cordierite (7.5" deck height) or brick-lined Cordierite (7" deck height). The brick-lined model has a Cordierite ceiling, which offers the added benefit of increased temperatures and recovery times. They may be easily installed at the factory or in the field.

The greater deck height accommodates taller bake/roast items, and the incoloy heating elements and aluminized steel baking chamber are perfect for high heat. All models come standard with stainless exteriors, 4" adjustable legs, and a 60-minute, electric timer with continuous-ring alarm and manual shut-off. International voltages are available.

FEATURES AT A GLANCE

- **BK-18: 120 V or 208/240 V @ 1700 watts, single or three phase**
- **P-24: 208 V or 220/240 V @ 2150 watts, single or three phase**
- **140–550°F (60–288°C) temperature range**
- **60-minute, electric timer with continuous-ring alarm and manual shut-off**
- **Independent top and bottom controlled incoloy heating elements**
- **One high-heat, fully welded, aluminized steel baking chamber**
- **One 20.75" (527 mm) sq. deck**
- **Cordierite or brick-lined**
- **7.5" (70 mm) or 7" (178 mm) deck heights**
- **All stainless steel exterior**
- **Fully insulated**
- **6' (1829 mm) cord and plug on single-phase units**
- **4" (102 mm) adjustable legs**
- **One-year limited warranty**

OPTIONS & ACCESSORIES

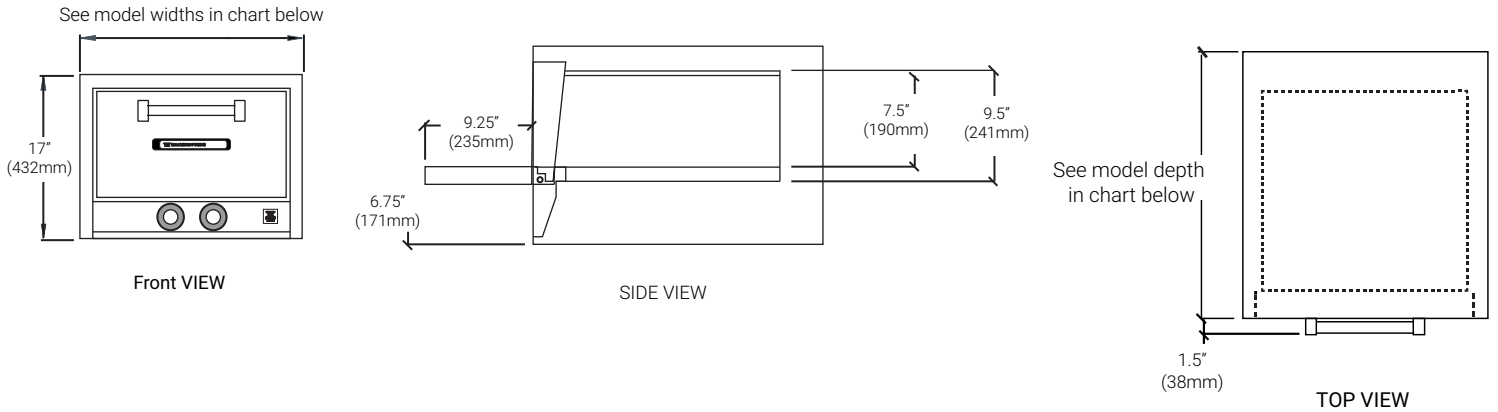
- **Stainless steel stand (with or without casters)**
- **International voltages**
- **Deck brush and scraper**
- **Stacking kits**
- **Brick-lined conversion kit (standard on P24-BL)**
- **Glass window in doors (P-24 & P24-BL only)**
- **Steel deck**
- **Lightstone deck**



HEARTHBAKE SERIES COUNTERTOP ELECTRIC OVENS

SERIES: BK18, P24S, & P24-BL

EQUIPMENT DIMENSIONS



MECHANICAL SPECIFICATIONS

Model #	Overall Dim (W x H x D)*	Deck Height	Deck Size (W x D)	Decks	Baking Chambers	Thermostat Range	Carton Dim (W x H x D)	Cubic Feet	Cubic Meter	Ship Wt.
BK18	23" x 17" x 25" (584 x 432 x 635)	7.5" (191)	17.5" x 17.75" (445 x 451)	1	1	140°-550°F (60-288°C)	26" x 22" x 28" (660 x 559 x 711)	9.1	.26	101 (46kg)
P24S	26" x 17" x 28" (660 x 432 x 711)	7.5" (191)	20.75" x 20.75" (527 x 527)	1	1	140°-550°F (60-288°C)	28" x 22" x 30" (711 x 559 x 762)	10.7	.31	145 (66kg)
P24BL	26" x 17" x 28" (660 x 432 x 711)	7" (178)	20.75" x 20.75" (527 x 527)	1	1	140°-550°F (60-288°C)	28" x 22" x 30" (711 x 559 x 762)	10.7	.31	145 (66kg)

*Height includes legs

POWER SUPPLY

Model #	Watts	Voltage	Phase	Amps	Plug Style			
					USA	Canada	UK	Europe
BK18	1700	120	1	14.2	5-15P	5-20P	N/A	N/A
		208/240	1	8.1	6-15P	6-15P	BS1363A	CEE7-VII
P24S/BL	2150	208	1	10.3	6-15P	6-15P	N/A	N/A
		208/240	1	10.2	6-15P	6-15P	BS1363A	CEE7-VII

REQUIRED CLEARANCES

Left 3" (76 mm)
 Right 3" (76 mm)
 Back 3" (76 mm)

In European Community Countries and North America. In NON-COMBUSTIBLE locations only.

In European Community Countries only in COMBUSTIBLE locations. NOT for North America.



Freight Class: 110
 FOB: Allen, 75013

Bakers Pride reserves the right to modify specifications or discontinue models without incurring obligation. Dimensions nominal.

