



HEARTHBAKE SERIES COUNTERTOP ELECTRIC OVENS

SERIES: P18S



Bakers Pride® P18S series ovens are designed for pizza, pretzels, flat breads, and other bakery products. Bake directly on the decks or on screens or baking sheets. This oven features one baking chamber with two Cordierite decks and a 3.25" deck height. This model comes standard with stainless steel exteriors, 4" adjustable legs, and a 15-minute, electric timer with continuous-ring alarm and manual shut-off. The P18S is available with 120, 208, or 240V; however, 120V is not recommended for fresh-dough pizza. International voltages are available.

FEATURES AT A GLANCE

- 120V @ 1800 watts or 208V or 240V @ 2850 watts single phase
- Independent top and bottom controlled incoloy heating elements
- 300–650°F (149–343°C) temperature range
- 15-minute, electric timer with continuous-ring alarm and manual shut-off
- One high-heat, fully welded, aluminized steel baking chamber
- Two 17.5" x 17.75" (445 x 451 mm) decks
- Cordierite decks
- 3.25" (83 mm) deck height
- All stainless steel exterior
- 6' (1829 mm) cord and plug
- 4" (102 mm) adjustable legs
- One-year limited warranty

OPTIONS & ACCESSORIES

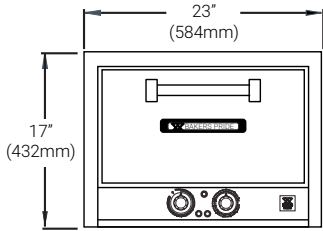
- Stainless steel stand (with or without casters)
- Deck brush and scraper
- Stacking kits
- Replacement Cordierite stone
- Optional Lightstone
- Optional 60 min. timer



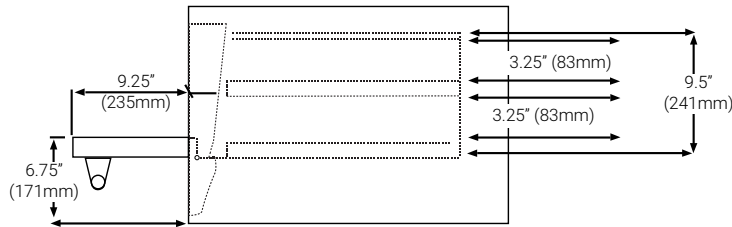
HEARTHBAKE SERIES COUNTERTOP ELECTRIC OVENS

SERIES: P18S

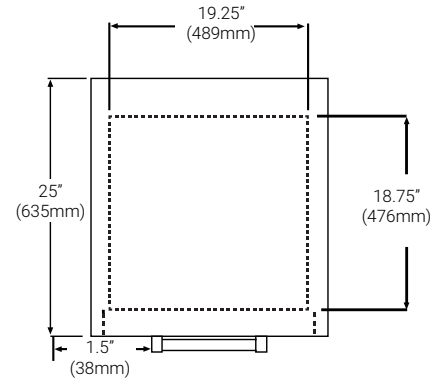
EQUIPMENT DIMENSIONS



Front VIEW



SIDE VIEW



TOP VIEW

MECHANICAL SPECIFICATIONS

| Model # | Overall Dim (W x H x D)* | Deck Height | Deck Size (W x D) | Decks | Baking Chambers | Thermostat Range | Carton Dim (W x H x D) | Cubic Feet | Cubic Meter | Ship Wt. |
|---------|--------------------------------------|---------------|-------------------------------|-------|-----------------|---------------------------|--------------------------------------|------------|-------------|---------------|
| P18S | 23" x 17" x 25" (584 x 432 x 635) | 3.25" (83) | 17.5" x 17.75" (445 x 451) | 2 | 1 | 284°-680°F (140-360°C) | 27" x 22" x 29" (686 x 559 x 737) | 10 | .28 | 125 (57kg) |

*Heights exclude legs

POWER SUPPLY

| Model # | Watts | Voltage | Phase | Amps | Plug Style | | | |
|---------|-------|---------|-------|------|------------|--------|---------|----------|
| | | | | | USA | Canada | UK | Europe |
| P18S | 1800 | 120 | 1 | 15 | 5-15P | 5-20P | N/A | N/A |
| P18S | 2850 | 208/240 | 1 | 14 | 6-15P | 6-20P | BS1363A | CEE7-VII |

REQUIRED CLEARANCES

Left 3" (76 mm)
 Right 3" (76 mm)
 Back 3" (76 mm)

In European Community Countries and North America. In NON-COMBUSTABLE locations only.

In European Community Countries only in COMBUSTIBLE locations. NOT for North America.



5-15P



6-15P



5-20P



BS1363 A



CEE 7-VII



Freight Class: 110
 FOB: Allen, 75013

Bakers Pride reserves the right to modify specifications or discontinue models without incurring obligation. Dimensions nominal.

